

Compact Rehab 871E



Manual
English/Svensk

Monark Exercise AB	4
Product Information	5
Operating Instruction	6
<i>Workload adjustments</i>	6
<i>Computer specifications</i>	6
<i>Computer Instruction</i>	6
Service	7
<i>Warranty</i>	7
<i>Service check & maintenance</i>	7
<i>Transport</i>	8
<i>Batteries</i>	8
<i>Lubrication of the freewheeling sprocket</i>	8
<i>Chain 1/2" x 1/8"</i>	8
<i>Crank bearing</i>	8
<i>Flywheel bearing</i>	8
<i>Brake belt</i>	8
Exercising	9
Spare parts	10

Monark Exercise AB

Monark has 100 years' experience of bicycle production. The Monark tradition has yielded know-how, experience, and a real feel for the product and quality. Since the early 1900s, Monark's cycles have been living proof of precision, reliability, strength and service. That is one of the reasons why we are now the word leader in cycle ergometers and the market leader in Scandinavia in transport cycles.

We manufacture, develop and market ergometers and exercise bikes, transport bikes and specialised bicycles. Our largest customer groups are within health care, sports medicine, public authorities, industry and postal services.

For more information: www.monark.net



Product Information

Congratulations on your new Ergometer.

Monark Compact Rehab 871 E is a small, handy arm/leg trainer which is easy to use and has smooth running. Ideal for warm up and exercise in hospitals and rehabilitations centers from wheelchair or standing up. Excellent choice for rehabilitation of disabled.

NOTE!

The use of Rehab Trainer 871 E can be physically strenuous. Always consult a doctor before beginning an exercise program and stop immediately if feeling faint or dizzy.

Features

- Electronic display
- Control knob for adjustment of brake force
- Transport handle
- Powder painted

Width 180 mm (7") at front support tube
450 mm (18") at rear support tube

Length 600 mm (24")

Height 530 mm (21")

Weight 25 kg (55 lbs)

Included

Pedals, handle

Accessories

Wall bar table



Operating Instruction

Workload adjustments

Monark Compact Rehab 871 E is an arm and leg trainer provided with a flywheel and belt brake system. The workload can be changed either by increasing/decreasing the rotation speed or increasing/decreasing the brake force with the adjustment knob.

The Compact Rehab trainer is also equipped with an electronic meter, showing pedal revolutions per minute (RPM), the total pedal revolutions (TOTAL COUNT) and time (TIME) function.

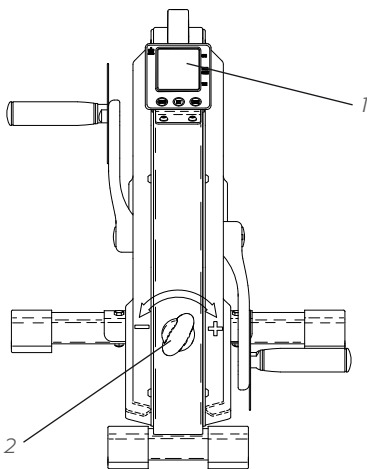
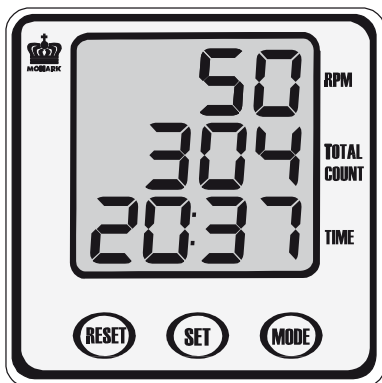


Fig: Workload device
 1) Electronic meter
 2) Control knob for adjustment of work load

Computer specifications

Display		
RPM	0 - 250	rev./min
TOTAL COUNT	9999	rev. total
TIME	0:00-99:59	min:sec



Computer Instruction

Keys and functions:

MODE key

Use the MODE key to cycle through the functions.

SET key

Pressing this key will make it possible to set TIME and TOTAL COUNT. If you hold down this key for 2 seconds you can advance the function value at a faster rate.

Programming TIME:

Press MODE key to advance to TIME function, and use SET to enter your desired time. Each press of SET will advance time by one minute. When pedaling is started, measurement of remaining exercise time will begin and the unit will count down to 0 at which time beeper will sound for 5 seconds.

Programming TOTAL COUNT:

Press MODE key to advance to TOTAL COUNT function, and use SET to enter your desired value. Each press of SET will advance value by 10. When pedaling is started, measurement of remaining revolutions will begin and the unit will count down to 0 at which time beeper will sound for 5 seconds.

RESET key

The RESET key will clear the values for TIME and TOTAL COUNT individually.

NOTE:

1. Display will return to normal when not pressed any key for 5 seconds, or trainer is not used.
2. The computer starts automatically when one of the keys is pressed or when the trainer is used, that is meter gets rpm indication.
3. Auto shut off function when not pressed any key or device not used for 4 minutes.

Do not expose the fitness computer to direct sunlight or extremely high temperature. Do not use any solvents when cleaning. Use only dry cloth.

Batteries: 1.5 V x 2 R6 (AA)
 Storing temp.: -10°C - +60°C
 Operating temp.: 0°C - 50°C

Warranty

EU countries private use

If you are a natural person you will have a minimum level of protection against defects in accordance with EC Directive 1999/44/EC. In short, the directive provides for that your Monark Dealer will be liable for any defects, which existed at the time of delivery. In case of defects, you will be entitled to have the defect remedied within a reasonable time, free of charge, by repair or replacement.

EU countries professional use

Monark products and parts are guaranteed against defects in materials and workmanship for a period of one year from the initial date of purchase of the unit. In the event of a defect in material or workmanship during that period above, Monark Exercise will repair or replace (at its option) the product. Monark Exercise will do so at its expense for the cost of materials but not for labor or shipping.

Other countries

Monark products and parts are guaranteed against defects in materials and workmanship for a period of one year from the initial date of purchase of the unit. In the event of a defect in material or workmanship during that period above, Monark Exercise will repair or replace (at its option) the product. Monark Exercise will do so at its expense for the cost of materials but not for labor or shipping.

Service check & maintenance

To keep your Ergometer in good shape you should make a regular service.

Service action	Time?	Service interval
Keep your Ergometer clean and properly lubricated	5 min	once per week
Periodically wipe the surface with a rust preventative, especially when it has been cleaned and the surface is dry. This is done to protect the chrome and zinc parts as well as the painted parts.	5 min	4 times per year
Check now and then that both pedals are firmly tightened. If not the threading in the pedal arms will be damaged. Also check that pedal arms are firmly tightened on the crank axle, tighten if necessary. When the Ergometer is new it is important to tighten the pedals after 5 hours of pedaling.	5 min	4 times per year
Check that the pedal crank is secure to the crank axle.	5 min	4 times per year
Be sure that the pedals are moving smoothly, and that pedal axle is clear of dirt and fibers.	5 min	4 times per year
When cleaning and lubricating be sure to check that all screws and nuts are properly tightened.	10 min	2 times per year
Check that the chain is snug and there is no play in the pedal crank.	15 min	2 times per year
Check that pedals, chain and freewheel sprocket are lubricated.	5 min	2 times per year
Be sure that the brake belt does not show significant signs of wear.	15 min	2 times per year
Be sure that all moving parts as crank and flywheel are working normal and that no abnormal play or sound exists. I.e. play in bearings causes fast wearing and with that follows a highly reduced lifetime.		Pay attention, if any mislead or malfunction. The faults must be attend to at once before any further use of the bike.

Transport

At transport the brake cord should be somewhat tightened to prevent it from falling off the flywheel.

Please note: The production number of your Ergometer is placed according to *fig: Serial number*.

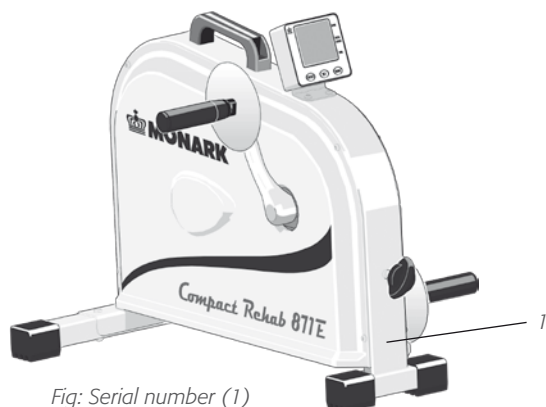


Fig: Serial number (1)

Batteries

The batteries, 2 x 1.5V size AA(R6), which are placed in a holder inside of the meter. These can easily be changed. Remove the battery hatch and take out the old batteries and replace them with new ones.

NOTE! Be careful to put in the new batteries with + and - correctly positioned. Put on the hatch.

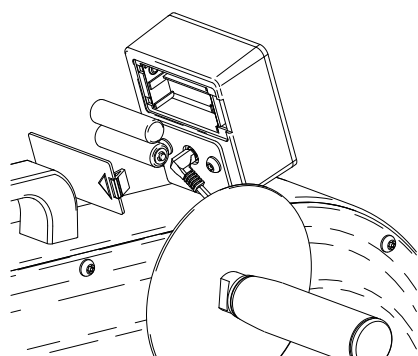


Fig: Batteries

Lubrication of the freewheeling sprocket

The sprocket should be lubricated with a few drops of oil once a year. Tilt the device somewhat to make it easier for the oil to reach the bearing.

Chain 1/2" x 1/8"

It's strongly recommended that a chain solvent is used to keep the chain clean. Much dirt built up on the chain will cause excess wear. A chain lubricant and solvent for normal road bikes may be used.

Check the lubrication and tension of the chain at regular intervals. In the middle of its free length the chain should have a minimum play of 5 mm. When the play in the chain is about 20 mm (<1 inch) the chain must be tightened otherwise it will cause unnormal wear of the chain and chainwheels. When the chain has become so long that it can no longer be adjusted, it is worn out and shall be replaced with a new one.

Crank bearing

The crank bearing is long term greased and needs normally no supplementary lubrication. If problem arises, please contact your Monark dealer.

Flywheel bearing

The bearings in the flywheel are lifetime greased and require normally no maintenance. If problem arises, please contact your Monark dealer.

Brake belt

The brake belt should be regularly checked to ensure that it has not suffered excessive wear. If it looks worn it should be replaced. Deposits of dirt on the brake belt and on the contact surface may cause the unit to operate unevenly and will also wear down the brake belt. The brake belt contact of the flywheel surface should then be ground off with fine sand paper and any dust removed with a clean dry cloth.

Always keep the brake belt contact surface clean and dry. No lubricant should be used. We recommend to replacing the brake belt when cleaning the contact surface.

Exercising

The human body is built for action – not for rest. Once upon a time this was a necessity: the struggle for survival demanded good physical condition. But optimal function can only be achieved by regularly exposing the heart, circulation, muscles, tendons, skeleton and nervous system to some loading, i.e. training.

In the old days the body got its exercise both in work and at leisure. In our modern society, however, machines have taken over an ever increasing share of the tasks which were formerly accomplished with muscular power alone. Our life has at an accelerated tempo been dominated by sitting, riding and lying. Thus, the natural and vital stimulation that tissues and internal organs receive through physical exercise has largely disappeared. Certain tissues such as muscles, bone and blood and also a number of bodily functions can adapt to inactivity – and to stress. Studies have proved that if you use 30 minutes for exercise like brisk walking, running, bicycling, swimming or skiing 2-3 times a week, your condition has been improved by some 15 per cent after a few months. The efficiency of the heart muscle will increase and joints and muscles grow in strength. The capillary density increases in the trained muscle and their enzymatic activities are enhanced. The body adapts to the new demands. The perceived exertion at a given rate of exercise becomes reduced.

With increased physical activity fitness is concentrated, the appetite functions “safer”, you can eat more without risk for overweight and thereby the risk of lack of important essential food nutrients decreases. For many individuals the effect of habitual physical activity also improves the wellbeing and it is a good feeling to have a potential to cope with straining situations.

What kind of exercise to choose?

You should have fun when exercising. Choose something you find pleasure in doing regularly.

To get a good effect out of the training you should choose a form of exercise that engages large muscle groups. Then the demand of increased blood flow and oxygen transport will be so great that heart will increase its pump capacity. Jogging, calisthenics, aerobic dancing, bicycling, swimming, skiing and walking are excellent examples of exercises meeting this requirement.

In a few months you can get 10-15 years younger
If you cycle 30 minutes a few times a week you can lower your condition age with 10-15 years! Scientifically this is described as a reduction on the biological age. Externally, you are your usual self. Internally, however, you feel much younger. In other words: You can work harder. You feel more alert and healthy. Your ability to handle stress and problems increases. There are few better ways to improve your physical condition than to cycle. It does not over-tax your joints. It builds up your condition progressively and at your own pace – and you can make your training fit weather conditions.

Do I loose weight when I Cycling?

Yes! You do lose calories. A few miles on your bike every day over one year, you will have lost the equivalent of 20 pounds of body fat. You will achieve best results if you combine exercise with healthier eating. A little less sugar, less butter on your bread or less fat in your frying pan. And a few miles on your bike every day. In a year you will have lost 20 pounds.

Do I get stronger?

Cycling strengthens the muscles of the back, abdomen and legs. Daily chores become easier. Cycling also makes your heart stronger. Your pulse rate gets lower even when you exert yourself a little extra. Regular exercise also has a favourable influence on high blood pressures.

How do I train?

1. Warm up 3-5 minutes with a low pedal resistance. Pedal about 12 mph (20 km/h).
2. Increase the resistance until you feel the training “somewhat hard”. Keep the speed for 2-5 minutes. Get off the Exercise cycle and rest a few minutes. Cycle again and then rest. Train at your own pace and with a comfortable pedal resistance. After a few weeks you can increase the resistance.
3. Before ending, pedal a few minutes with a light resistance, in order to step down your training. Total time about 30 minutes.

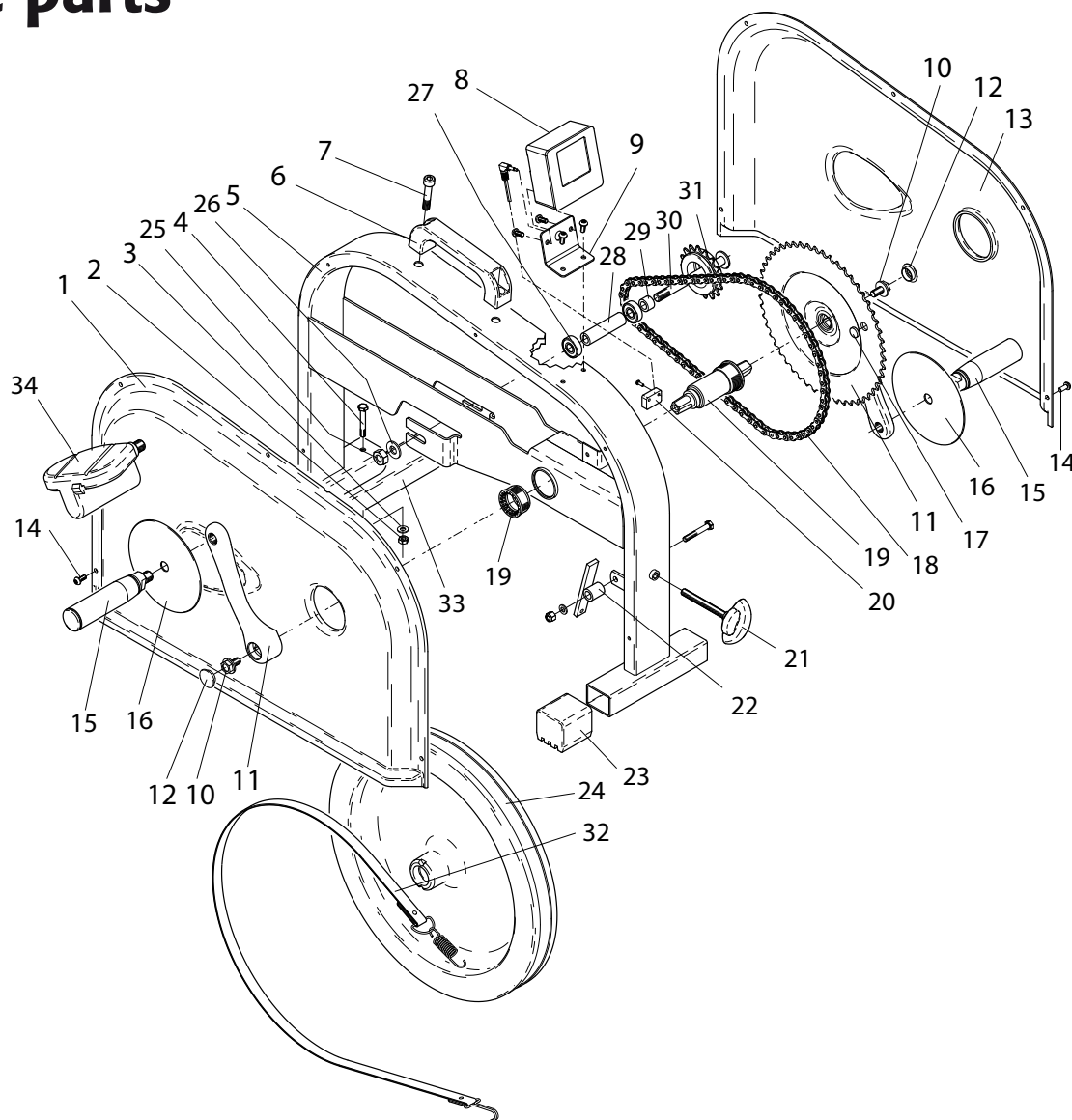
Strength training:

1. Give yourself a thorough warm-up.
2. Pedal with a heavy resistance for 5-10 seconds, then rest 45-60 seconds. Repeat this 5-10 times.

It is a good idea to combine your cycle training with gymnastics for 5 minutes, as this will give you a physiologically well-balanced form of training.

Elderly people and physically weak persons should consult a doctor before starting their training.

Spare parts



Pos.	Qty.	Art.No.	Description	Pos.	Qty.	Art.No.	Description
1	1	9371-52	Cover, left	20	1	9371-162	Sensor with cable
2	2	5843-9	Nut M6	21	1	9371-8	Tension screw
3	2	5863	Washer	22	1	9371-33	Tension lever
4	2	14332	Screw M6x40	23	4	9327-7	Plastic cap, blue
5	1	9371-1-5	Frame	24	1	9371-3	Flywheel, complete set
6	1	9371-31	Handle grip	25	2	9309-39	-Nut M10
7	2	73712	Screw M8x35	26	2	5881	-Washer
8	1	9371-68	Digitalmeter	27	2	19001-5	-Ball Bearing 6000-2z
9	1	9371-67	Meter holder	28	1	9309-38	-Spacer
10	2	8523-115	Screw	29	2	9000-17	-Spacer
11	1	9300-460	Crank set compl. 52T, 152 mm	30	1	9371-35	-Axle
12	2	8523-2	Dust cover	31	1	1210	-Sprocket 14T
13	1	9371-51	Cover, right	32	1	9371-30	Brake belt, complete
14	10	5673-9	Screw	33	1	9327-6	Support tube
15	1	9145-71	Handle, pair	34	1	9300-215	Pedal, pair
16	2	9371-71	Handcover		1	9300-207	Footstraps, pair
17	1	9371-16	Magnet		1	9371-150	Screw set
18	1	9371-55	Chain		1	9371-550	Decal set
19	1	9300-340	BB cartridge bearing				

Innehållsförteckning

Monark Exercise AB	12
Produktinformation	13
Funktionsbeskrivning	14
<i>Belastningsreglering</i>	14
<i>Mätarspecifikationer</i>	14
<i>Mätarinstruktioner</i>	14
Service	15
<i>Garanti</i>	15
<i>Regelbunden servicekontroll & underhåll</i>	15
<i>Transport</i>	16
<i>Batterier</i>	16
<i>Smörjning frigångskrans</i>	16
<i>Kedja 1/2" x 1/8"</i>	16
<i>Bromshjulslagring</i>	16
<i>Vevlager</i>	16
<i>Bromsband</i>	16
Träningstips	17
Reservdelslista	18

Monark Exercise AB

Monark har 100 års erfarenhet av cykeltillverkning. En tradition som gett kunskap, erfarenhet, och känsla för produkt och kvalitet. Sedan början av 1900-talet har Monarks cyklar varit ett levande bevis på exakthet, pålitlighet, hållfasthet och service. Det är en av anledningarna till att vi idag är världsledande på Ergometercyklar och marknadsledande i Skandinavien på Transportcyklar.

Vi tillverkar, utvecklar och marknadsför ergometer och träningscyklar, transport och specialcyklar. Våra största kundgrupper hittar vi inom sjukvård, idrottsmedicin, myndigheter, industri och postverksamhet.

För mer information: www.monarkexercise.se



Produktinformation

Vi gratulerar till din nya Ergometer.

Monark Compact Rehab 871 E är en liten och behändig arm- och ben tränare som är lättanvänd och har en jämn gång. Idealisk för uppvärmning och träning på sjukhus och rehabiliteringscenter, sittande i rullstol eller stående. Bra val för rehabilitering av handikappade.

OBS!

Då användning av Compact Rehab 871 E kan innebära ansevärd fysisk påfrestning rekommenderas personer som inte är vana vid konditionsträning alt. ej känner sig helt friska att först kontakta en läkare för rådgivning.

Fakta

- Elektronisk mätning för varv/min, totalvarv och tid
- Justering av bromskraften med ratt
- Handtag för smidig transport
- Pulverlackerad

Bredd	180 mm vid främre stödbenet 450 mm vid bakre stödbenet
Längd	600 mm
Höjd	530 mm
Vikt	25 kg

Ingår
Pedaler, handtag

Tillbehör
Ribbstolsbord



Funktionsbeskrivning

Belastningsreglering

Monark Compact Trainer 871 E, är en arm och benträningsmaskin som är utrustad med elektronisk mätare. Den visar pedalvarvtalet per minut, pedalvarvtalet totalt samt en tidsfunktion.

Genom cykling tillför testpersonen bromshjulet en viss rörelseenergi som bromsas ut med ett bromsband som löper runt större delen av bromshjulets bromsbana. Ändringar av bromseffekten sker antingen genom annan tramphastighet eller att med belastningsratten öka eller minska bromsbandets spänning mot bromshjulet.

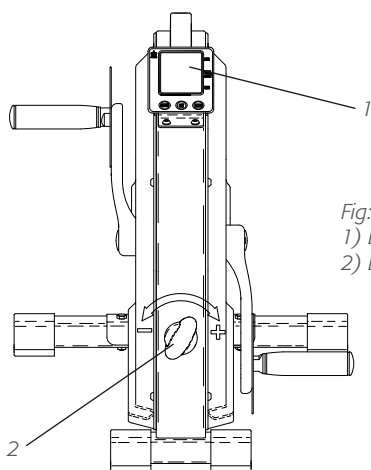
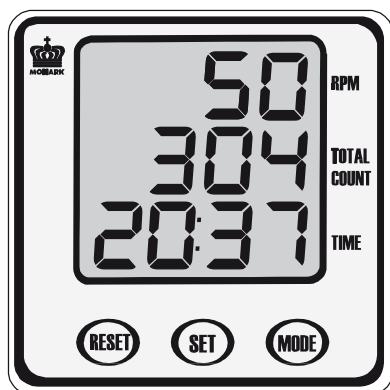


Fig: Belastningsreglering
1) Elektronisk mätare
2) Belastningsratt

Mätarspecifikationer

Display		
Pedalvarv. RPM	0 - 250	varv./min
Pedalvarv totalt, TOTAL COUNT	9999	varv
Tid, TIME	0:00-99:59	min:sek



Mätarinstruktioner

Knappar och funktioner:

MODE knappen

Använd MODE knappen för att "bläddra" igenom funktionerna.

SET knappen

Ett tryck på denna knapp när mätaren står i läge TIME gör att displayen börjar blinka och visar därmed att en önskad tränings tid kan ställas in. Om denna knapp hålls nere i mer än 2 sekunder kan värden ställas in i en snabbare takt.

Programmering av tränings tid:

Tryck på MODE knappen för att gå till TIME funktionen och använd därefter SET för att ställa in den önskade tiden. Varje tryck på SET ökar på tiden med en minut. Vid rotation av pedalerna/handtagen kommer nerräkning av tid automatiskt att starta och räkna ner till 0:00 varvid ett pip kommer att höras i 5 sekunder.

Programmering av räknare:

Tryck på MODE knappen för att gå till TOTAL COUNT funktionen och använd därefter SET för att ställa in önskat värde. Varje tryck på SET ökar värdet med 10. Vid rotation av pedalerna/handtagen kommer nedräkning av antal varv automatiskt att starta och räkna ner till 0 varvid ett pip kommer att höras i 5 sekunder.

RESET knappen

RESET knappen nollställer individuellt värden för TIME, TOTAL COUNT.

OBS:

1. Om någon knapp inte tryckts ner på 5 sekunder kommer displayen att återgå till normalläge.
2. Mätaren startar automatiskt när någon knapp trycks ner eller om apparaten används och därmed får indikation på pedalarbete.
3. Mätaren stängs automatiskt av om inte apparaten använts på 4 minuter.

Utsätt inte den elektroniska mätaren för direkt solljus eller extremt höga temperaturer. Använd inga lösningsmedel vid rengöring, utan endast torr trasa.

Batterier: 1.5 V x 2 R6 (AA)
Lagringstemp: -10°C - +60°C
Arbetstemperatur: 0°C - 50°C

Garanti

Sverige-konsument

Om ett fel skulle uppstå på Din cykel gäller konsumentköplagen och då vänder Du Dig till det ställe där den är inköpt. Följande gäller: fel som visar sig inom sex månader anses som ursprungsfel som skall åtgärdas av säljaren utan kostnad för kund. Gäller dock inte om kund inte följt skötselanvisningar eller vanvårdat varan. Efter sex månader är det upp till kund att visa att varan hade ett ursprungligt fel.

Sverige-yrkesmässig användning

Vid ett eventuellt produktfel gäller köplagen, dvs ett år.

Regelbunden servicekontroll & underhåll

För att hålla Din ergometer i gott skick bör den underhållas och genomgå en regelbunden service.

Servicepunkt	Tidsåtgång	Hur ofta?
Håll alltid ergometern ren och välsmord.	5 min	1 ggr/vecka
Ytbehandla då och då med något rostskyddsmedel, speciellt när den är rengjord och ytorna torra. Framst bör man skydda kromade och zinkade delar men även lackerade delar mår bra av samma skydd.	5 min	4 ggr/år
Kontrollera med jämna mellanrum att pedalerna fortfarande är ordentligt åtdragna. Om inte kommer gängorna i veven att skadas. Kontrollera även att vevarmarna är ordentligt fastdragna på vevaxelns fyrkantsfattning. Efterdrag vid behov. När Ergometern är ny är det viktigt att efterdra pedalerna efter 5 timmars användning.	5 min	4 ggr/år
Se till att pedalarmarna sitter ordentligt fast på vevaxeln.	5 min	4 ggr/år
Känn efter så att pedalerna roterar mjukt och att pedalexeln är ren från diverse smuts.	5 min	4 ggr/år
I samband med rengöring och smörjning kontrollera också att alla skruvar och muttrar är ordentligt åtdragna.	10 min	2 ggr/år
Kontrollera att kedjan går jämnt och att det inte finns något glapp i vevlagret.	15 min	2 ggr/år
Se till att pedaler, kedja och frigångskrans är smorda.	5 min	2 ggr/år
Se efter att bromsbandet inte visar på stora förslitningskador.	15 min	2 ggr/år
Försäkra dig om att alla rörliga delar såsom vevaxel och svänghjul fungerar normalt och att inget onormalt glapp finns. Glapp i t.ex. lager orsakar snabb förslitning och därmed kraftigt reducerad livslängd.		Var uppmärksam på onormala ljud eller andra tekniska fel. Detta måste åtgärdas innan fortsatt användning av cykeln.

Transport

Vid transport se till att bromslinan är något spänd runt bromshjulet, detta för att förhindra att linan åker av hjulet.

OBS! Ergometerns tillverkningsnummer är placerat enligt *fig: Tillverkningsnummer*.

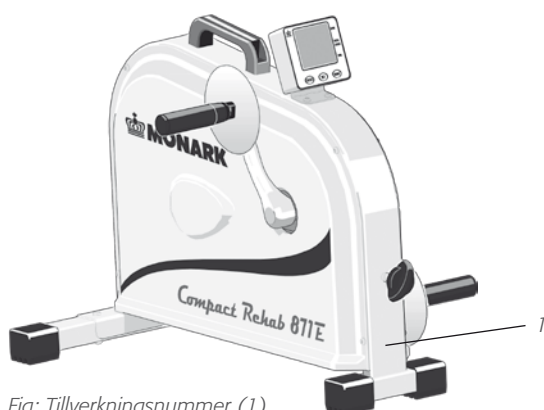


Fig: Tillverkningsnummer (1)

Batterier

Batterierna, 2 x 1.5V storlek AA (R6), är placerade i en hållare på baksidan av mätaren. Lyft locket och ta ur de gamla batterierna. Sätt i de nya batterierna och tänk på att polvända dem rätt enl markering i batterihållaren. Sätt tillbaka locket.

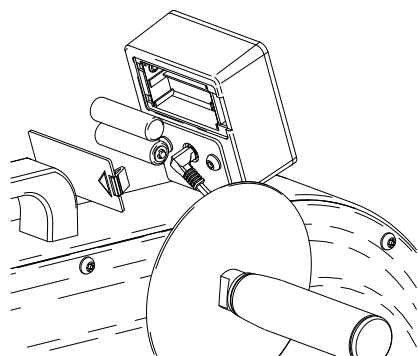


Fig: Batterier

Smörjning frigångskrans

Frigångskransen smörjs med olja någon gång per år. Luta cykeln något så att oljan lättare rinner in i lagringen.

Kedja 1/2" x 1/8"

Kontrollera med jämna mellanrum att kedjan är rätt spänd och lagom smord. På mitten av sin fria längd bör kedjan ha ett spel på ca 5 mm. Vid cirka 20 mm:s spel bör kedjan sträckas. I annat fall orsakas onormal förslitning både på kedja och kedjehjul. På grund av detta rekommenderas att alltid hålla spelet så nära min som möjligt. När kedjan har blivit så lång att den ej längre kan sträckas är den utsliten och skall bytas ut mot en ny.

Bromshjuls lagring

Lagren i bromshjulet är livstidssmorda och fordrar normalt inga åtgärder. Om fel i lagren misstänks eller konstateras, vänd Er till fackman för byte.

Vevlager

Vevlagringen är typ kasettvevlager och fordrar normalt inga åtgärder. Om fel i lagringen konstateras eller misstänks vänd Er till fackman för byte.

Bromsband

Smutsbeläggning på bromsbandet och bromshjulets bromsbana kan ge ryck i belastningsanordningen. Bromshjulets bromsbana bör då slipas med fin slipduk och sedan torkas av med en trasa eller dylikt. Ojämnheter i bromsbanan tas också bort med ett fint slippapper eller slipduk. I annat fall slits bandet onödigt hårt, samtidigt som oljud uppstår. Byt gärna bromsband i samband med rengöring av bromsbanan.

Håll alltid bromsbanan torr och ren. Något smörjmedel får absolut inte användas. Bromsbandet bör regelbundet kontrolleras med avseende på slitage. Om det ser slitet ut bör det bytas ut.

Träningstips

Människokroppen är byggd för aktivitet - inte för att vila. Kampen för tillvaron har krävt god rörelseförmåga. Men för fullgod funktion måste hjärta, blodomlopp, muskler, skelett och nervsystem regelbundet utsättas för belastning, en träning.

Förr i tiden fick kroppen motion både i arbetet och under fritiden. I det moderna samhället har maskinerna alltmer övertagit de arbetsmoment som tidigare klarades med muskelkraft. Vi har kommit in i en tillvaro dominerad av sittande, åkande eller liggande. Den naturliga och viktiga stimulans som vävnader och inre organ får genom fysiskt arbete har därmed bortfallit. Många av kroppens vävnader har den inbyggda egenskapen att i hög grad anpassas till inaktivitet och aktivitet. Detta gäller muskler, ben och blod. Den fysiska arbetsförmågan kan härigenom påverkas i såväl negativ som positiv riktning. Undersökning på GIH:s fysiologiska institution har visat, att om man avsätter 30 minuter för motionsträning i form av löpning, cykling, simning eller skidåkning 2-3 gånger per vecka, har konditionen förbättrats 15-20% efter ett par månader. Hjärtmuskeln pumpförmåga ökar och leder och muskler tillväxer i styrka. Kroppen anpassar sig till de nya kraven. Reservkrafterna kommer och man känner sig mindre trött och sliten. Med ökad fysisk aktivitet motverkas fetma, aptiten fungerar "säkrare", man kan äta mer utan risk för övervikt och därmed minskar risken för brist på viktiga näringsämnen. För många innebär motionens träningseffekt också att den psykiska balansen ökar. Känslan av att orka mer gör ofta att man lättare bibehåller humör och uthållighet i pressade situationer.

Vilken typ av träning passar mig?

För det första ska Du ha roligt, då Du motionerar. Du skall alltså välja något som Du gläder Dig åt att få utöva regelbundet.

För att få en god träningseffekt skall Du välja en motionsform som engagerar stora muskelgrupper. Först när det sker, blir kravet på ökad blodtransport, och därmed kravet på levererat syre, så stort att hjärtat utsätts för ett arbete som ökar pumpförmågan. Löpning, cykling, simning, skidåkning och gång är utmärkta exempel på grenar som fyller detta krav.

Om ett par månader kan du bli 10-15 år yngre

Om Du cyklar 30 minuter ett par gånger i veckan kan Du sänka Din konditionsålder med 10-15 år! Forskarna kallar det att den biologiska åldern minskar. Utanpå är man som vanligt, men invärtes känner man sig mycket yngre. Eller med andra ord:

Du orkar mer. Du känner Dig piggare och friskare. Du får lättare att hantera stress och problem.

Att cykla är något av det bästa Du kan göra för att öka konditionen. Det är skonsamt mot lederna. Det bygger successivt upp Din kondition i en takt som Du själv bestämmer.

Går jag ner i vikt när jag cyklar?

Helt säkert är att Du förbrukar massor av kalorier. Hög eller låg fart spelar ingen större roll. Det är antalet kilometer som avgör. Bästa resultatet får Du förstås om Du kombinerar motionen med lite vettigare kostvanor: Lite mindre socker. Lite mindre matfett på smörgåsen och fett på köttbiten. Lättmjölk i stället för vanlig mjölk. Och så några kilometer på cykeln varje dag. På ett år har Du säkert förlorat 10 kg.

Blir jag starkare?

Cyklingen stärker rygg-, buk- och benmusklerna. Du orkar mera i vardagslivet och på jobbet. Cyklingen stärker också hjärtat. Din puls blir lägre även när Du anstränger Dig lite extra. Dessutom har regelbunden träning en gynnsam inverkan på högt blodtryck.

Hur tränar jag bäst?

Konditionsträning:

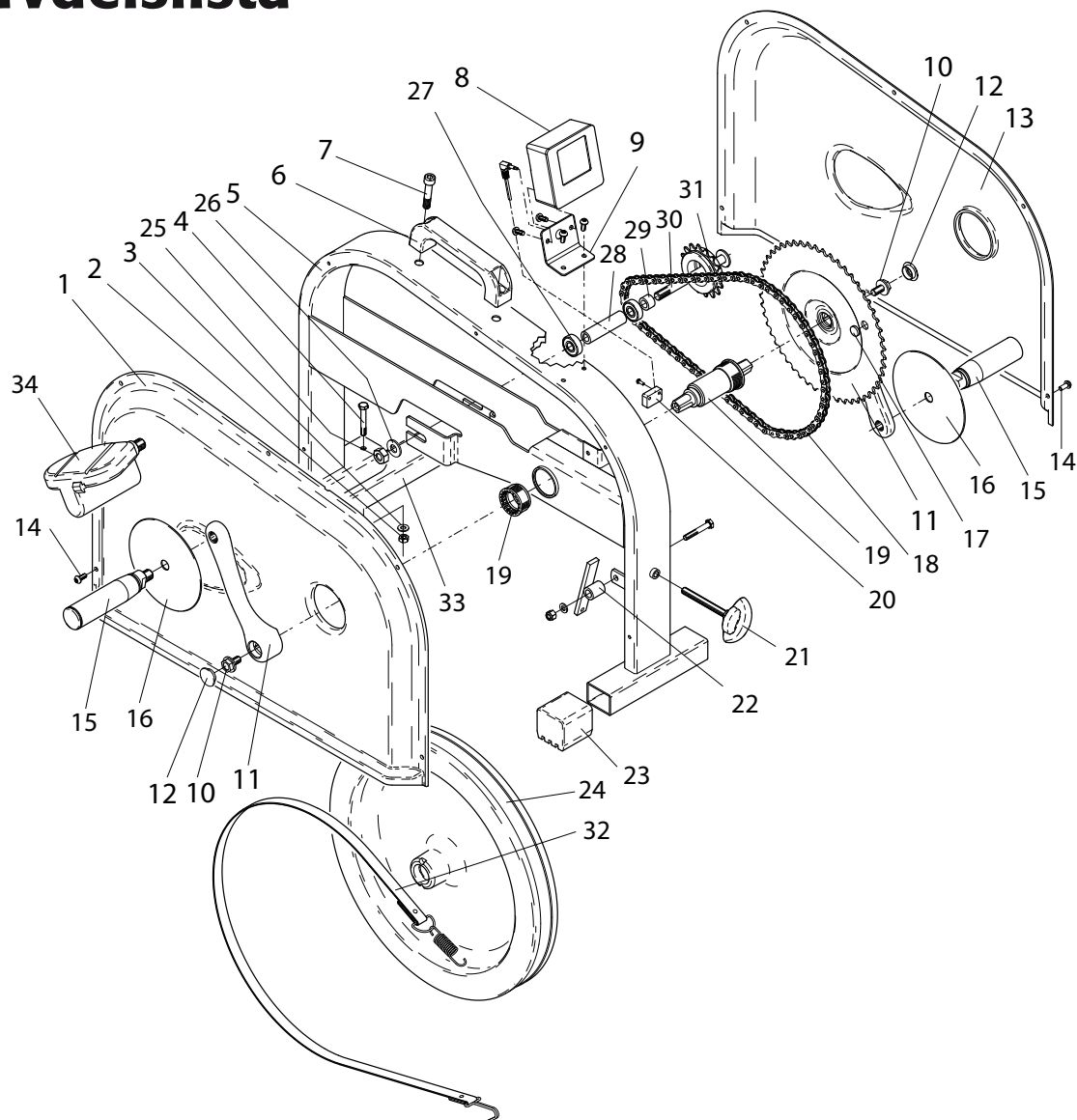
1. Värm upp i 3-5 minuter med lätt motstånd. Cykla med cirka 60 trampvarv per minut.
2. Cykla med större motstånd men fortfarande med cirka 20 km/h. Håll på 2-5 minuter. Kliv av cykeln och vila några minuter. Cykla igen, vila. Träna i Din egen takt med lagom trampmotstånd. Efter några veckor kan Du öka motståndet.

Styrketräning:

1. Värm upp ordentligt.
2. Cykla med tungt motstånd i 5-10 sekunder. Vila 45-60 sekunder. Upprepa 5-10 gånger.

Äldre och fysiskt svaga bör tala med en läkare innan de börjar träna.

Reservdelslista



Pos.	Ant.	Art.nr.	Beskrivning	Pos.	Ant.	Art.nr.	Beskrivning
1	1	9371-52	Sidokåpa, vänster	20	1	9371-162	Sensor med kabel
2	2	5843-9	Mutter M6	21	1	9371-8	Spännratt komplett
3	2	5863	Bricka	22	1	9371-33	Spännarm
4	2	14332	Skruv M6x40	23	4	9327-7	Stödfot
5	1	9371-1-5	Ram	24	1	9371-3	Bromshjul, komplett sats
6	1	9371-31	Handtag	25	2	9309-39	-Mutter M10
7	2	73712	Skruv M8x35	26	2	5881	-Bricka
8	1	9371-68	Digitalmätare	27	2	19001-5	-Kullager 6000-2z
9	1	9371-67	Mätarfäste	28	1	9309-38	-Distans
10	2	8523-115	Skruv	29	2	9000-17	-Distans
11	1	9300-460	Vevsats 52T, 152 mm	30	1	9371-35	-Axel
12	2	8523-2	Dammkapsel	31	1	1210	-Kedjkrans 14T
13	1	9371-51	Sidokåpa, höger	32	1	9371-30	Bromsrem, komplett
14	10	5673-9	Skruv	33	1	9327-6	Stödrör
15	1	9145-71	Handtag, par	34	1	9300-215	Pedal, par
16	2	9371-71	Handskydd		1	9300-207	Fotrem, par
17	1	9371-16	Magnet		1	9371-150	Skrivsats
18	1	9371-55	Kedja		1	9371-550	Dekalsats
19	1	9300-340	Kasettvevlager				

