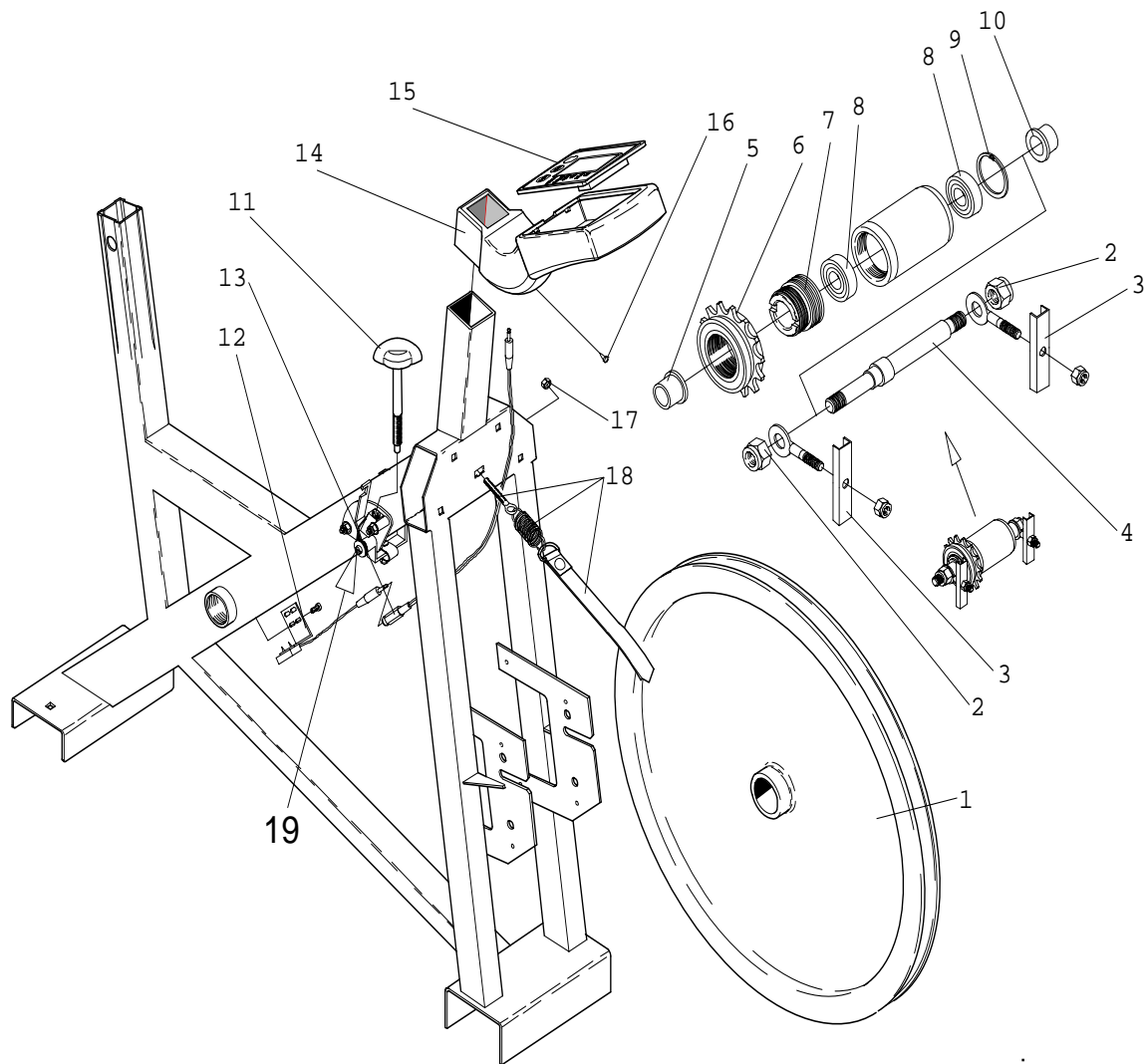


Article no.	Qty.	Pict.no	Description	Article no.	Qty.	Pict.no	Description
9300-5	1	1	Support tube, front	9300-113	1	18	Saddle post
9300-6	1	2	Support tube, rear	4992-5	1	19	Saddle
9300-7	4	3	Plastic cap, blue	9300-114	1		Saddle bracket
9000-29	2	4	Transport wheel, complete	9300-115	1	20	Bush for same
5844	4	7	Lock nut M 8		1	21	Top cover
9300-12	2	8	Screw MVBF M 8 x 16 mm	9300-122	1	22	Locking screw
9300-55	1	9	Chain 116 link	9300-134	1	23	Pressure washer
1109	1		Chain lock	9300-210	1	24	Pedal 9/16", pair
9300-401	1	10	Crank, complete 52T	9300-207	1	25	Pedal strap, pair
8966-175	1	11	BB cartridge bearing complete	9100-109	1	26	Expander screw complete with lever
8523-115	2	12	Screw M6S 8.8 M8x1x20 FZB	9100-110	1	27	Handle M10
8523-2	2	13	Dust cover	5864	1		Washer
9300-80	1	14	Frame cover, right	9300-270	1	28	Handlebar, complete
5673-9	4	15	Mounting screw LKT-TT 5 x 12 mm, stainless	1069-5	2	29	Plug for handlebar
9306-12	4	16	Plastic plug	9300-291	1	30	Expander wedge
9300-81	1	17	Frame cover, left	9301-2	1	31	Frame



Article no.	Qty.	Pict.no.	Description	Article no.	Qty.	Pict.no.	Description
9300-3	1	1	Flywheel with sprocket, complete	9300-82	1	14	Instrument cover
5799	2	2	.Nut	9300-180	1	15	Digitalmeter
9000-12	1	3	.Chain adjuster, pair	2151	2	-	Battery
9300-18	1	4	.Axle, length 132 mm	9103-40	1	16	Screw RXS B4 x 9.5 FZB
9000-17	1	5	.Spacer 5 mm	5770	1	17	Nut
9106-13	1	6	.Sprocket 14 t, M30 x 1 g	9306-36	1	18	Brake belt, complete
9106-14	1	7	.Connection for same	9300-126	1	19	Tension device complete
19001-6	3	8	.Ball bearing SKF 6001-2 z	9339-98			Chest belt (accessories)
9000-15	1	9	.Locking ring SgH 028				
9300-17	1	10	.Spacer 23 mm				
9300-125	1	11	Tension screw, complete				
9326-162	1	12	Crank sensor with cable				
9326-263	1	13	Cable 550 mm				