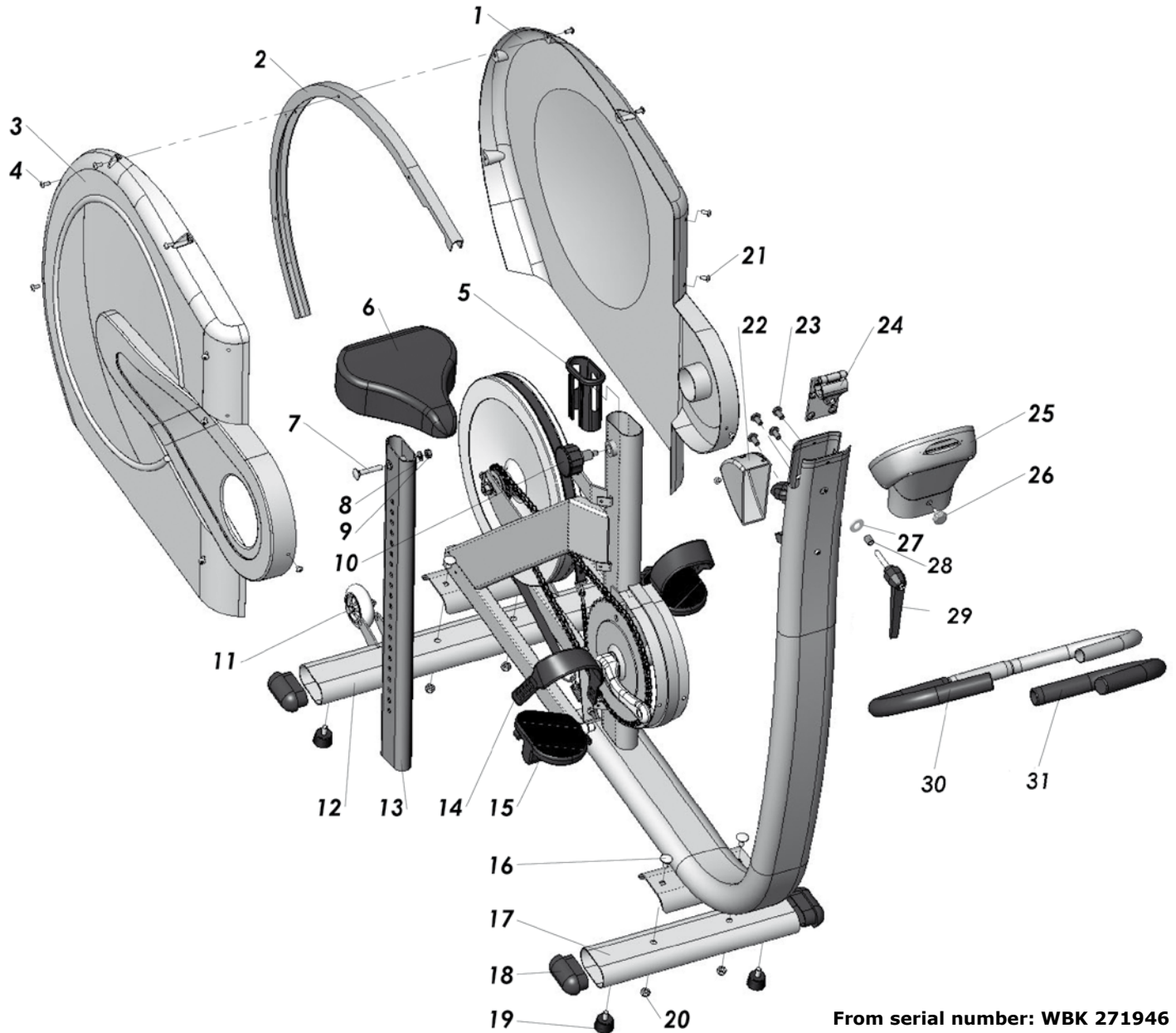


From serial number: WBK 271946

Pos.	Qty.	Art. No.	Description	Pos.	Qty.	Art. No.	Description
1	1	9309-30	Flywheel	12	1	9326-54	Chain, 100 L
2	1	9309-45	Wheel suspension complete set	13	1	8966-175	BB cartridge bearing
3	1	9000-12	-Chain adjuster (pair)	14	1	9328-162	Crank sensor w. 1750 mm cable
4	1	76441	-Sprocket	15	1	9309-3	Joint list
5	2	19001-5	-Bearing 6000-2z	16	1	9328-1	Frame
6	3	9309-18	-Axle	17	1	8966-176	Support casing for BB-bracket
7	1	9309-65	Brake belt, complete	18	1	9309-10	Cable holder
8	1	9371-16	Magnet	19	4	5673-9	Screw M5x12
9	2	8523-2	Dust cover for crank	20	1	9309-72	Tension device, complete
10	2	8523-115	Screw M8x1x20	21	1	5698	Screw M5x55
11	1	9300-430	Steel crank set, complete	22	1	9309-24	Tension cable, complete
				23	1	9328-33	Adaptor M20/M16



From serial number: WBK 271946

Pos.	Qty.	Art. No.	Description	Pos.	Qty.	Art. No.	Description
1	1	9309-53	Frame cover, left	18	4	9309-51	Plastic cap, black
2	1	9309-4	Aluminium profile	19	4	9328-26	Rubber foot
3	1	9309-52	Frame cover, right	20	4	5845	Locking nut
4	8	5675-9	Screw M5x6,5	21	16	5673-9	Screw M5x12
5	1	9309-131	Bushing f. saddle post	22	1	9309-74	Control cover
6	1	4992-7	Saddle	23	4	9337-38	Screw M8x16
7	1	5605-1	Screw M8x46	24	1	9328-2	Handlebar clamp
8	1	5864	Washer M8	25	1	9309-160	Digital meter, complete
9	1	5844	Locking nut	26	1	9000-105	Screw, M5x10
10	1	9308-132	Locking knob	27	1	5864	Washer
11	1	9328-37	Transport wheel compl. (pair)	28	1	9326-89	Spacer
12	1	9328-6	Support tube, rear	29	1	9326-707	Lever, complete
13	1	9328-130	Saddle post	30	1	9309-9	Handlebar, complete
14	1	76424	Foot straps (pair)	31	1	9309-71	-Handgrip (pair)
15	1	74435	Pedal (pair)		1	9309-150	Screw set
16	4	9300-12	Screw M8x16		1	9309-550	Decal set
17	1	9328-5	Support tube, front		1	9309-78	Handlebar black compl. with clamp and lever