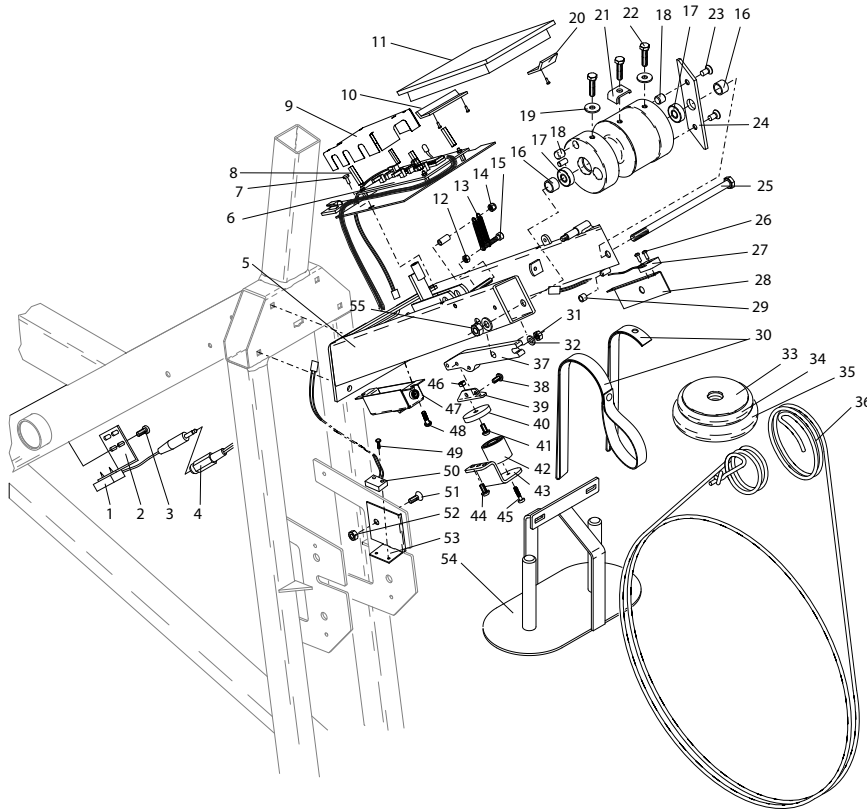


From serial number: WBK 282251

Pos.	Qty.	Art. No.	Description	Pos.	Qty.	Art. No.	Description
1	1	9301-19	Support tube, front	32	1	9126-72	Hand grip, blue (pair)
2	1	9301-14	Support tube, rear	33	2	5675-9	Screw
3	4	9328-51	Plastic cap, blue	34	1	9394-41	Instrument cover
4	6	9328-26	Rubber foot	35	1	9394-71	Frame cover, left
5	1	9328-37	Transport wheel, (pair) compl.	36	1	9384-45	Belt control
6	1	9394-13	Hoop	37	1	9374-29	Weight holder
7	2	5843	Locking nut to hoop	38	1	9374-9	Frame for equipment
8	1	9300-55	Chain 1/2" x 1/8", 116 l	39	2	5843-9	Locking nut M6
9	2	9300-12	Screw MVBF M8x16 mm	40	2	9302-28	Plastic cap
10	4	5845	Locking nut M8	41	1	9374-60	Bracket
11	1	8321-75	Pedal, pair	42	1	9301-5	Frame
12	1	8323-2	-Pedal cleats, pair, VP	43	1	9300-3	Flywheel
13	2	8523-2	Dust cover	44	1	9300-24	Wheel suspension, compl. set
14	2	8523-115	Screw M6S 8.8 M8 x 20 FZB	45	1	9000-12	-Chain adjuster (pair)
15	1	9300-430	Crank set, complete	46	1	9106-13	-Sprocket
16	1	9326-164	Magnet	47	1	9106-14	-Connection
17	1	8966-175	BB cartridge bearing	48	3	19001-6	-Bearing 6001-2z
18	1	9300-133	Locking screw, complete	49	1	9300-18	-Axle
19	1	9300-134	-Pressure washer complete	50	1	9300-17	-Bush, 23 mm
20	1	9300-123	Top cover	51	1	5683	Screw
21	1	9300-115	Saddle bush	52	10	9306-12	Plastic plug
22	1	9336-111	Saddle post, complete	53	1	5673-9	Screw
23	1	9300-718	-Locking screw	54	1	5681	Screw
24	1	9300-716	Saddle bush, upper	55	1	9394-70	Frame cover, right
25	1	9334-110	Saddle	56	3	5671-19	Screw
26	1	5466	-Saddle bracket	57	6	9374-16	Magnet
27	1	9300-293	Handlebar, complete with button		1	9339-98	Chestbelt
28	1	9100-180	-Screw		1	9300-365	Software
29	1	5866	-Washer		1	9338-20	USB-serial adaptor
30	1	9300-291	-Expander wedge		1	9339-27	Communication cable, 1.8 m
31	1	9384-40	Extension cable for handlebar		1	9339-39	Communication cable, 3 m (accessory)



From serial number: WBK 282251

Pos.	Qty.	Art. No.	Description	Pos.	Qty.	Art. No.	Description
1	1	9326-162	Sensor	29	1	9374-12	PVC cover
2	1	9326-166	Sensor holder	30	1	9324-26	Belt
3	2	9326-59	Screw	31	1	5842-9	Nut
4	1	9326-263	Cable	32	1	5862	Washer
5	1	9374-9	Frame for equipment	33	4	9102-30	Weight 0,1 kg
6	1	9394-10	Electronic set	34	1	9102-27	Weight 0,5 kg
7	4	5675	Screw	35	8	9102-26	Weight 1 kg
8	4	9394-432	Spacer nut	36	1	9384-47	Brake belt
9	1	9394-431	Cover for electronic set	37	1	9384-33	Magnet arm
10	1	9374-172	Bracket	38	2	5673-9	Screw M5x12
11	1	9374-170	Digital meter	39	1	9384-37	Holder
12	1	5842-9	Locking nut	40	1	9384-34	Plate
13	2	9384-36	Spring	41	1	14303	Screw M5x13
14	1	5767-9	Nut	42	1	9384-32	Electro magnet
15	1	9384-3	Screw	43	1	9384-31	Magnet bracket
16	2	9127-37	Spacer	44	3	5673-9	Screw M5x12
17	2	19088-6	Bearing	45	1	5670	Screw
18	2	9371-16	Magnet	46	1	5842-9	Nut M5
19	2	5862	Washer	47	1	9374-240	Contact holder with cables
20	1	9374-171	Bracket	48	4	5675-9	Screw
21	1	9324-70	Lock washer	49	2	9103-41	Screw
22	3	14323	Screw	50	1	9326-169	Sensor with cable 620 mm
23	2	14379	Screw	51	1	14380	Screw
24	1	9374-21	Stop	52	1	5843-9	Locking nut
25	1	14374	Screw M8 160 mm	53	1	9374-23	Sensor holder
26	4	9103-41	Screw	54	1	9324-25	Weight basket
27	2	9326-270	Sensor with cable 390 mm	55	1	5844	Locking nut M8
28	2	9374-22	Sensor holder		1	9384-62	Power adaptor, USA
					1	9384-650	Power adaptor, other countries

# Ergomedic 894 E

