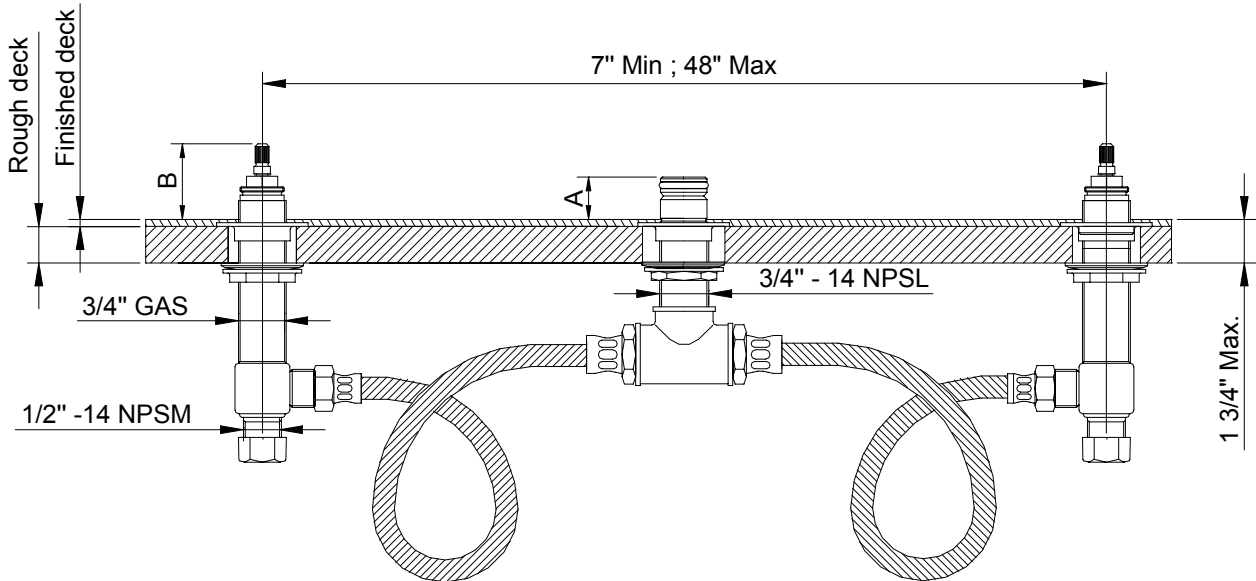


TECHNICAL SPECIFICATIONS

Rough: 3 Pc. Roman Tub – 1/2" valves

289 730

Rough# | 289 730 999



Inlets: 1/2" pipe thread or 1/2" Compression

Maximum Deck Thickness: 1 3/4"

Rough Deck Recommended Hole diameters:

Valve Bodies: 1 1/4"

Nipple: 1 1/4"

TRIM & Rough sold separately

Attention Installer:

To ensure a proper seal, the top of the brass spout nipple must be installed at the following dimension above the finish deck, based on trim set to be used (see table)

If finish deck thickness is unknown at rough-in, leave access to valves and tee to allow adjustments.

Flow rates: 12 gpm @ 60 psi

	Rough in dimensions (from top of finished deck)	
	A	B
Simply Brass Trim 291.650.xxx 292.650.xxx	1" (± 1/16")	1 3/4" (± 1/8")
Techno Trim 221.640.xxx	1 1/8" (± 1/16")	1 3/8" (± 1/16")

2935 Amwiler Road
Atlanta, GA 30360-6001



Phone: 800.528.4904
Fax: 800.528.1969

TECHNICAL SPECIFICATIONS

Rough: 3 Pc. Roman Tub – 1/2" valves

289 730

Service Parts

Rough# | 289 730 999

1	Nipple Assembly	
1.1	O-ring 20x3.53	
1.2	Nipple	
1.3	Spider nut 3/4" NPSL	
1.4	Rubber washer 45x33x1	
1.5	Washer	
1.6	Mounting nut 3/4" NPSL	
2	Complete 1/2" x 1/4 turn side valve	
2.1	Compression nut	
2.2	Valve body	
2.3	Nut	
2.4	Washer	
2.5	1/2"x1/4 turn ceramic cartridge	
3	Tee 3/4" NPT	
4	Flexible hose - 3/4" Male / 1/2" Female	
5	Spider nut 3/4" Gas	

