

CLUB SERIES

Undermount Large Bar/Prep Sink Model CS-1607



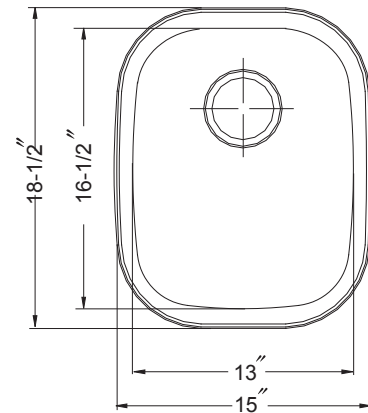
CS-1607

FEATURES

- Premium grade T-304 stainless steel
- 7" depth • 18 gauge
- StoneGuard™ undercoating over Super-Silencer pad
- Lustrous satin with highlighted rim
- Fits 21" sink base
- 3-1/2" drain opening
- Supplied with cutout template, fasteners and instructions
- Complies with ASME A112.19.3-2000, UPC®
- Lifetime Limited Warranty



ASME A112.19.3-2000



OPTIONAL ACCESSORIES

Strainer: 190-9180

OVERALL DIMENSIONS	EACH BOWL	CUTOUT SIZE	PACKAGING*	WEIGHT*
15-1/4" x 19"	13" x 16-1/2"	See Template	1/32/40 pcs.	11/370/380 lbs.

*Standard packaging: Single boxed /Pallet of single boxed/Pallet of bulk pack.
All dimensions are in inches. Specifications subject to change without notice.

Project/Job name

Architect/Engineer

Contractor

Model

Q'ty

Notes

Installation profile

