

NOUVELLE SERIES

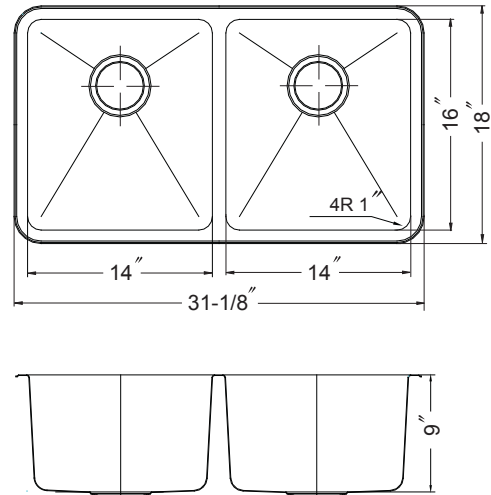
Nouvelle Undermount 50/50 Double Bowl Model NOD-4200



NOD-4200

FEATURES

- Premium grade T-304 stainless steel
- 9" depth • 18 gauge • SpecPlus™ edge
- StoneGuard™ undercoating over Super-Silencer pad
- 25mm seamlessly drawn corner radius
- Lustrous satin with highlighted rim
- Fits 36" sink base • 3-1/2" rear-set drain opening
- Supplied with cutout template, fasteners and instructions
- Complies with ASME A112.19.3-2000, UPC®
- Lifetime Limited Warranty



OPTIONAL ACCESSORIES

- Bottom Grid: BG-6200
- Cutting Board : CB-4100
- Strainer: 190-9180

OVERALL DIMENSIONS	EACH BOWL	CUTOUT SIZE	PACKAGING*	WEIGHT*
31-1/8" x 18"	14" x 16"	See Template	1 pc.	26 lbs.

*Standard packaging: Single boxed .
All dimensions are in inches. Specifications subject to change without notice.

Project/Job name

Architect/Engineer

Contractor

Model

Q'ty

Notes

Installation profile

