

Vessel Faucet Model MV1

Features

- Mounts in a single hole
 - Mounts with or without deckplate
 - Solid brass construction
 - 1/4 Turn ceramic disc valve cartridges
 - 1/2 Male NPS supply connections
 - PVD Anti-tarnish finishes (Noted by #)
 - Lifetime limited warranty
- Matching grid drain included




Codes/Standards

Specified model meets or exceeds:

- ASME/ANSI A112.18.1M
- CSA B125
- ADA compliance to ANSI A117.1
- NSF 61
- Energy Policy Act of 1992
- IAPMO/UPC listed

Specified Models:

Model No.	Product Description
 MV1	Vessel Faucet

Finish Codes:

* Series Finish Codes

(Add to base model number, MV1-BN)

Polished Chrome **PC** Brushed Nickel **BN**

= PVD Finish

Giagni reserves the right to make specification and pricing changes without notice or obligation, and to change or discontinue models and finishes.
All rights reserved. © Giagni 2008

Vessel Lavatory Faucet Model MV1

Technical Information

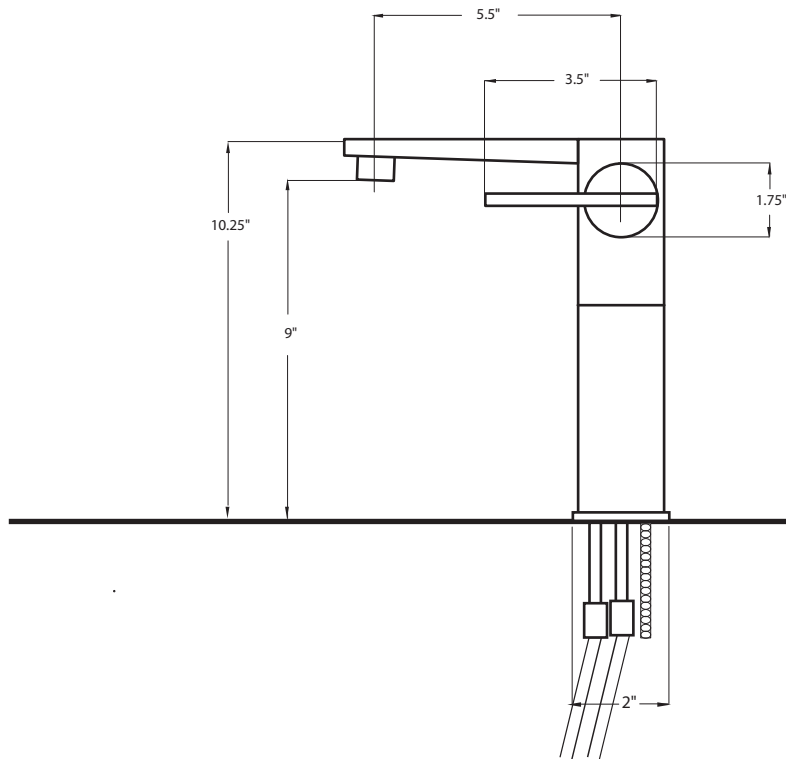
- Stainless steel braided hot and cold hoses
- Replacement parts available
- Toll-free helpline: 888-560-5222
- Water-saving aerator: 2.2 gallons (8.3L) per minute max @ 60 psi (4Kg/sq. cm)
- Spout does not swing

Installation Notes

- Mounts in one hole, 1-3/8" to 1-3/4" diameter
- Maximum counter thickness - 1-1/2"
- Connects to supply hoses (sold separately) having 1/2" NPS swivel nuts or ball-nose connections
- Mounts with or without deckplate

Warranty

Limited lifetime function and finish warranty to the original consumer purchaser covering defects in material and workmanship. 5 Year limited warranty for all industrial and commercial applications. See complete warranty statement for details



Giagni reserves the right to make specification and pricing changes without notice or obligation, and to change or discontinue models and finishes.
All rights reserved. © Giagni 2008