

## Widespread Lavatory Faucet Model B1

### Features

- Mounts from 6" to 16" between handle centers
- Solid brass construction
- 1/4 Turn ceramic disc valve cartridges
- 1/2" Male NPS supply connections
- PVD Anti-tarnish finishes available (Noted by #)
- Lifetime limited warranty
- Matching pop-up drain included



### Codes/Standards

Specified model meets or exceeds:

- ASME/ANSI A112.18.1M
- CSA B125
- ADA compliance to ANSI A117.1
- NSF 61
- Energy Policy Act of 1992
- IAPMO/UPC listed

### Specified Models:

Model No.	Product Description
 B1	Widespread Lavatory Faucet with Metal Cross Handles

### Finish Codes:

#### \* Brancolo Series Finish Codes

(Add to base model number, Example: B1-SN)

# Oil Rubbed Bronze **OB** Satin Nickel **SN**

# Millennium Brass **MB** Polished Chrome **PC**

# = PVD Finish

Giagni reserves the right to make specification and pricing changes without notice or obligation, and to change or discontinue models and finishes.  
All rights reserved. © Giagni 2008

# Brancolo

## Widespread Lavatory Faucet Model B1

### Technical Information

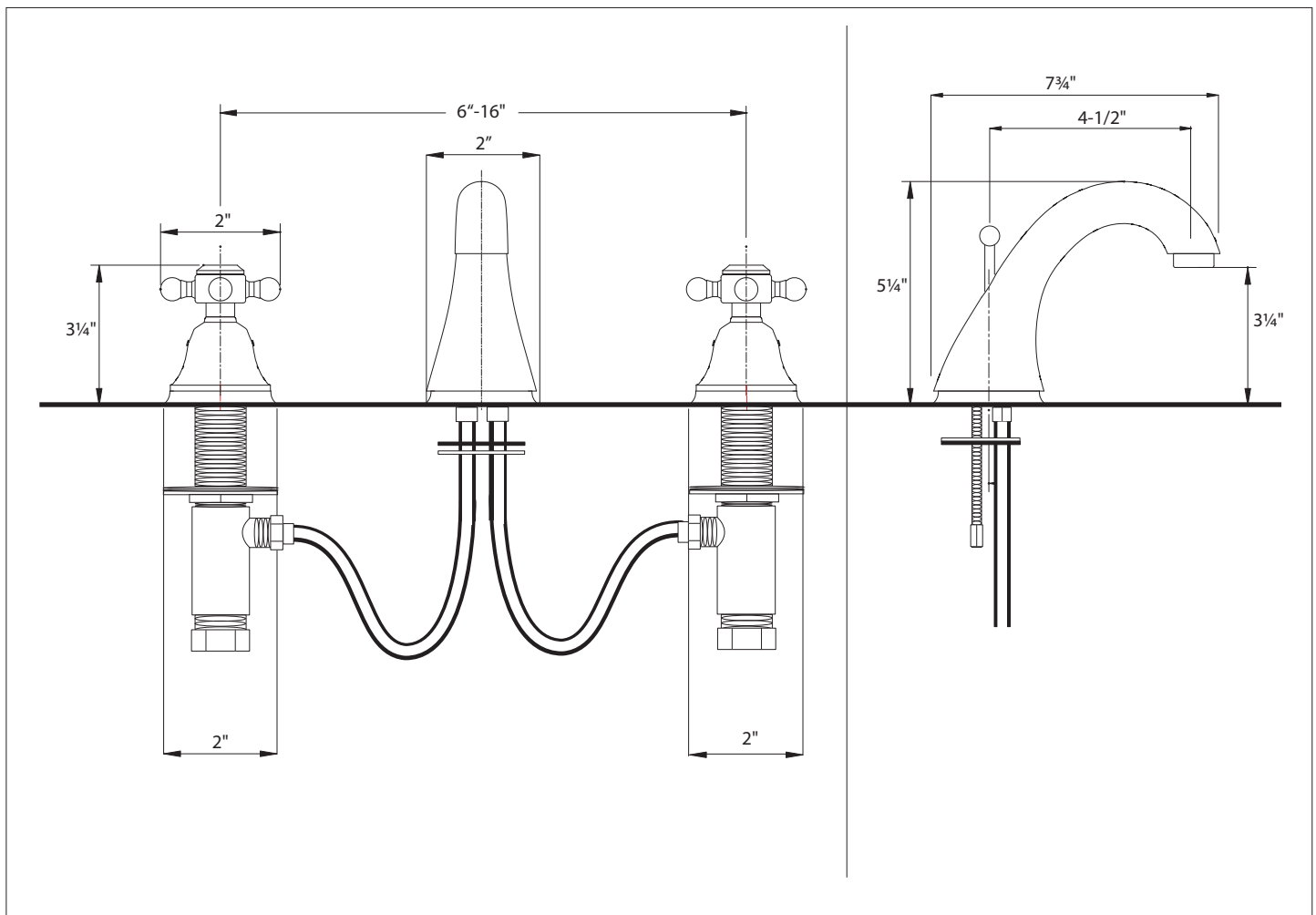
- Stainless steel braided hot and cold hoses
- Replacement parts available
- Toll-free helpline: 888-560-5222
- Water-saving aerator: 2.2 gallons (8.3L) per minute max @ 60 psi (4Kg/sq. cm)
- Spout does not swing

### Installation Notes

- Mounts in three holes, 1-1/4" to 1-3/4" diameter
- Flex hoses allow handles to be placed 6-16" apart
- Maximum counter thickness – 1-1/2"
- Connects to supply hoses (sold separately) having 1/2" NPS swivel nuts or ball-nose connections
- Pop-up drain is for use with basins having an overflow

### Warranty

Limited lifetime function and finish warranty to the original consumer purchaser covering defects in material and workmanship. 5 Year limited warranty for all industrial and commercial applications. See complete warranty statement for details



Giagni reserves the right to make specification and pricing changes without notice or obligation, and to change or discontinue models and finishes. All rights reserved. © Giagni 2008