

Faucet Installation Instructions

1101-PC
1101-BN

- Hole Diameters are 1 1/4" minimum to 1 3/4" maximum
- Maximum deck thickness is 2 1/2"
- This vessel faucet comes completely assembled and water tested
- Includes braided stainless steel supply lines with 1/2" male inlets
- Tools required-channel lock pliers (or pipe wrench), basin wrench and small crescent wrench
- Shut off water supply prior to beginning installation

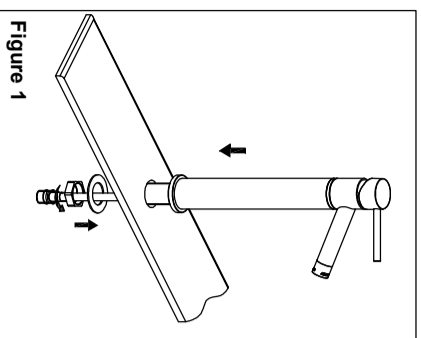


Figure 1

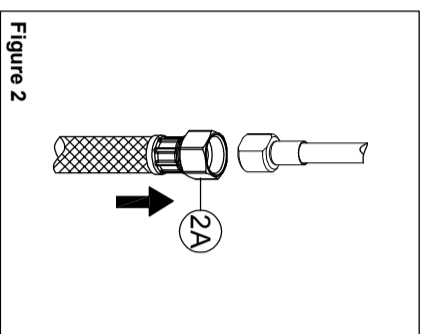


Figure 2

Step 1
Insert faucet through sink or countertop. Ensure that the hot supply line is on the left then secure faucet with RP64111 washer and RP56063 locknut.

Step 2
Make connections to 1/2" IPS water lines (2A, not included). Use wrenches to tighten connections. Do not overtighten.

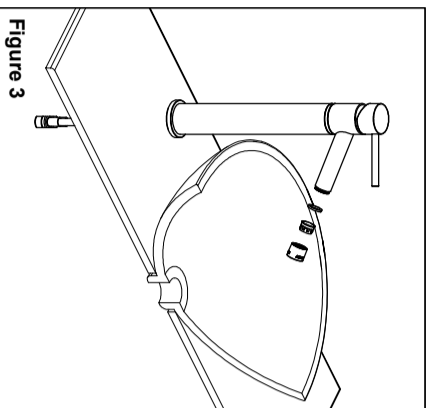
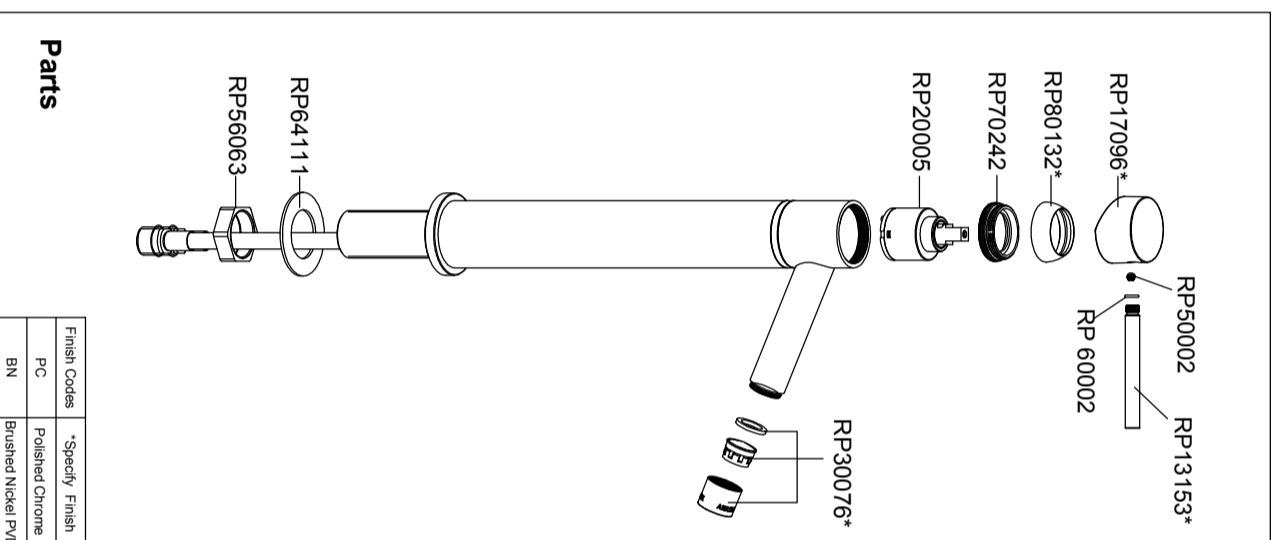


Figure 3

Step 3
Install grid drain see instructions on page 2.

Step 4
Important: After installation is complete remove aerator and turn faucet on for two minutes to flush out any debris from the water lines. While water is running check for leaks. Replace aerator.



Parts

Finish Codes	*Specify Finish
PC	Polished Chrome
BN	Brushed Nickel PVD

Maintenance: Clean with warm water, soft cotton cloth and non-abrasive liquid dish soap. Towel Dry.
Never use acids, harsh abrasives, detergents, or products containing chlorides on any parts of this product.

G i a g n i

For additional assistance or service call: 1-888-560-5222 USA 8:30 a.m. to 5:30 p.m. EST Monday-Friday

VDRAIN5* Grid Drain Installation Instructions

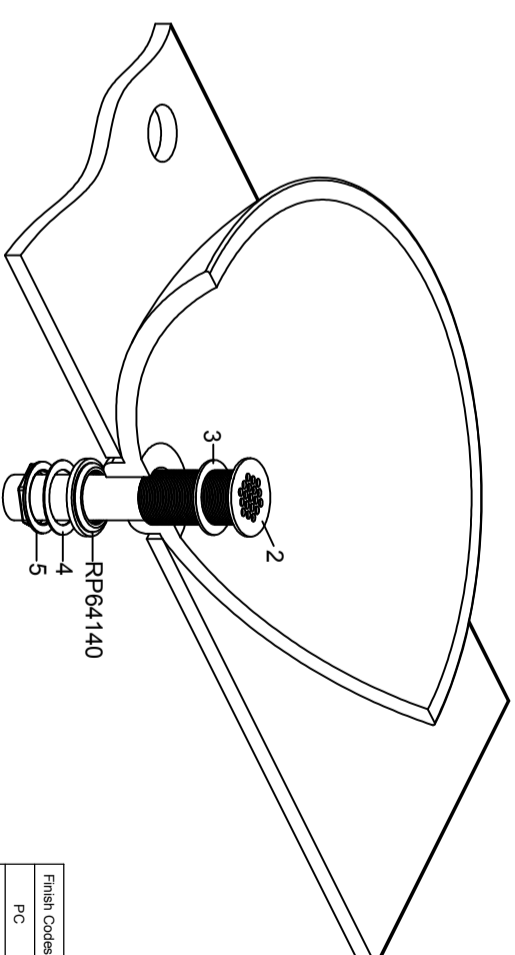
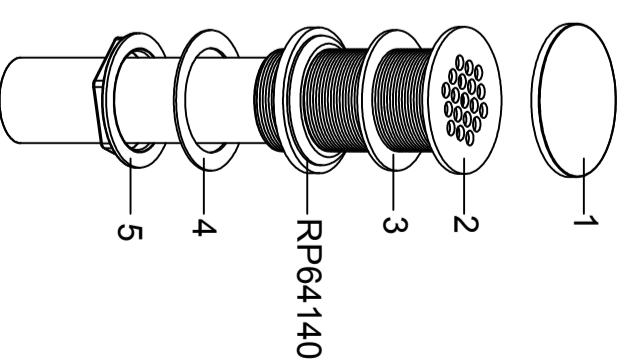
VDRAIN5*

Step 1
Remove cap (1), mounting nut (5), washer (4) and RP64140 seal washer.

Step 2
Install drain body (2) with washer (3) through the top of the sink.

Step 3
From underneath slid back on the RP64140 seal washer, washer (4), then screw on mounting nut (5) and tighten. Do not over tighten.

Note: In some cases such as in a glass sink that does not have a deep enough concave recess for the drain flange in the top of the sink, discard the washer (3) and use clear silicone sealant. This will lower the drain flange and not allow water to stand in the sink bottom around the drain.



Finish Codes	*Specify Finish
PC	Polished Chrome
BN	Brushed Nickel PVD

G i a g n i

For additional assistance or service call: 1-888-560-5222 USA 8:30 a.m. to 5:30 p.m. EST Monday-Friday