

Square Lavatory Faucet Model ML1

Features

- Solid Brass Construction
- ½" Male IPS Supply Connections
- ¼" Turn Ceramic Disc Cartridge
- PVD Anti-tarnish Finish (noted by #)
- Lifetime Limited Warranty
- Matching Pop-up Drain Included




Codes/Standards

Specified model meets or exceeds:

- ASME/ANSI A112.18.1M
- CSA B125
- ADA compliance to ANSI A117.1
- NSF 61
- Energy Policy Act of 1992
- IAPMO/UPC listed

Specified Models:

Model No.	Product Description
 ML1	Square Lavatory Faucet

Finish Codes:

*Series Finish Codes

(Add to base model number, Example: ML1-BN)

Polished Chrome PC

#Brushed Nickel BN

= PVD Finish

Giagni reserves the right to make specification and pricing changes without notice or obligation, and to change or discontinue models and finishes.

Giagni

1 of 2

548 South Columbus Avenue • Mount Vernon, New York 10550 • 1-888-560-5222 • www.giagni.com

ML1 (01/30/09) All rights reserved. © Giagni 2009

Square Lavatory Faucet

Model ML1

Technical Information

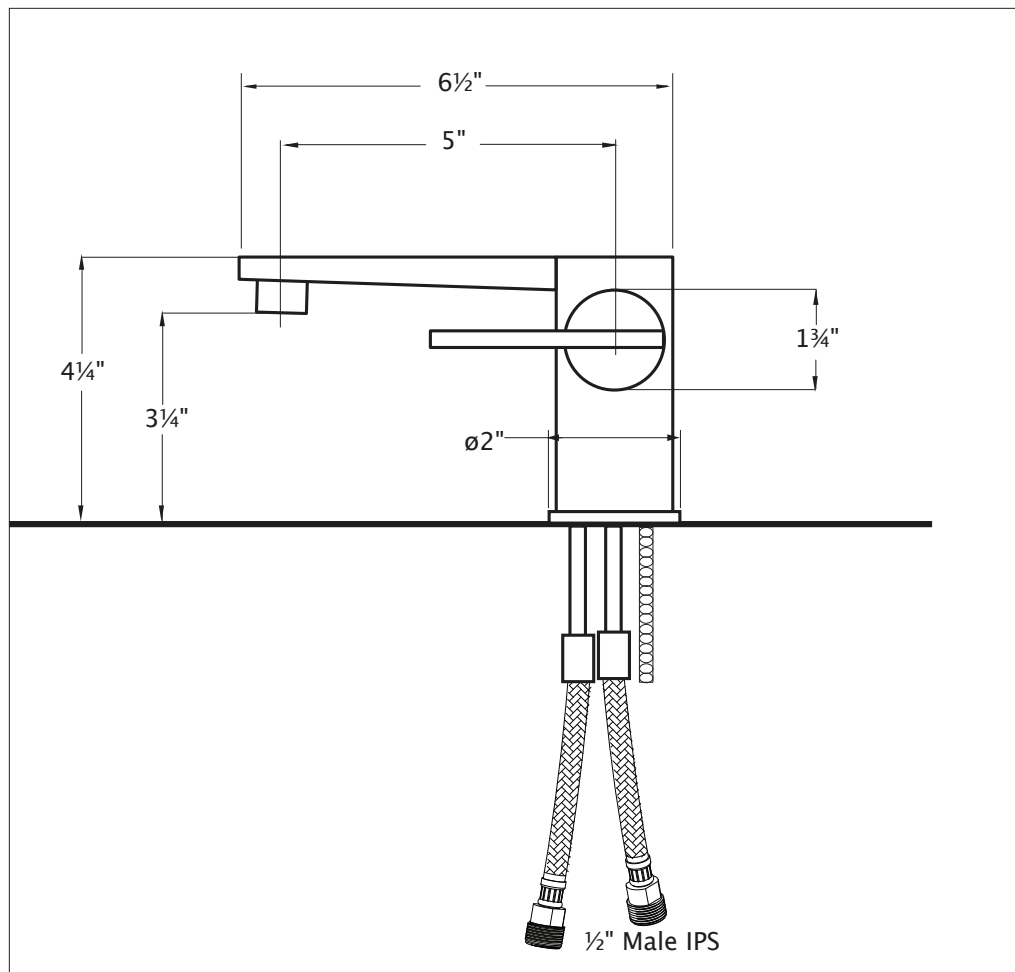
- Stainless steel braided hot and cold supply hoses
- Replacement parts available
- Toll-free helpline: 888-560-5222
- Water-saving aerator: 2.2 gallons (8.3L) per minute max @ 60 psi (4Kg/sq. cm)

Installation Notes

- Requires 1- $\frac{3}{8}$ " min. to 1- $\frac{3}{4}$ " max. hole diameter
- Maximum deck thickness: 1- $\frac{1}{2}$ "
- Mounts with or with out 6" deckplate
- Connects to $\frac{1}{2}$ " IPS supply lines (sold separately)

Warranty

Limited lifetime function and finish warranty to the original consumer purchaser covering defects in material and workmanship. 5 Year limited warranty for all industrial and commercial applications. See complete warranty statement for details



Giagni reserves the right to make specification and pricing changes without notice or obligation, and to change or discontinue models and finishes.