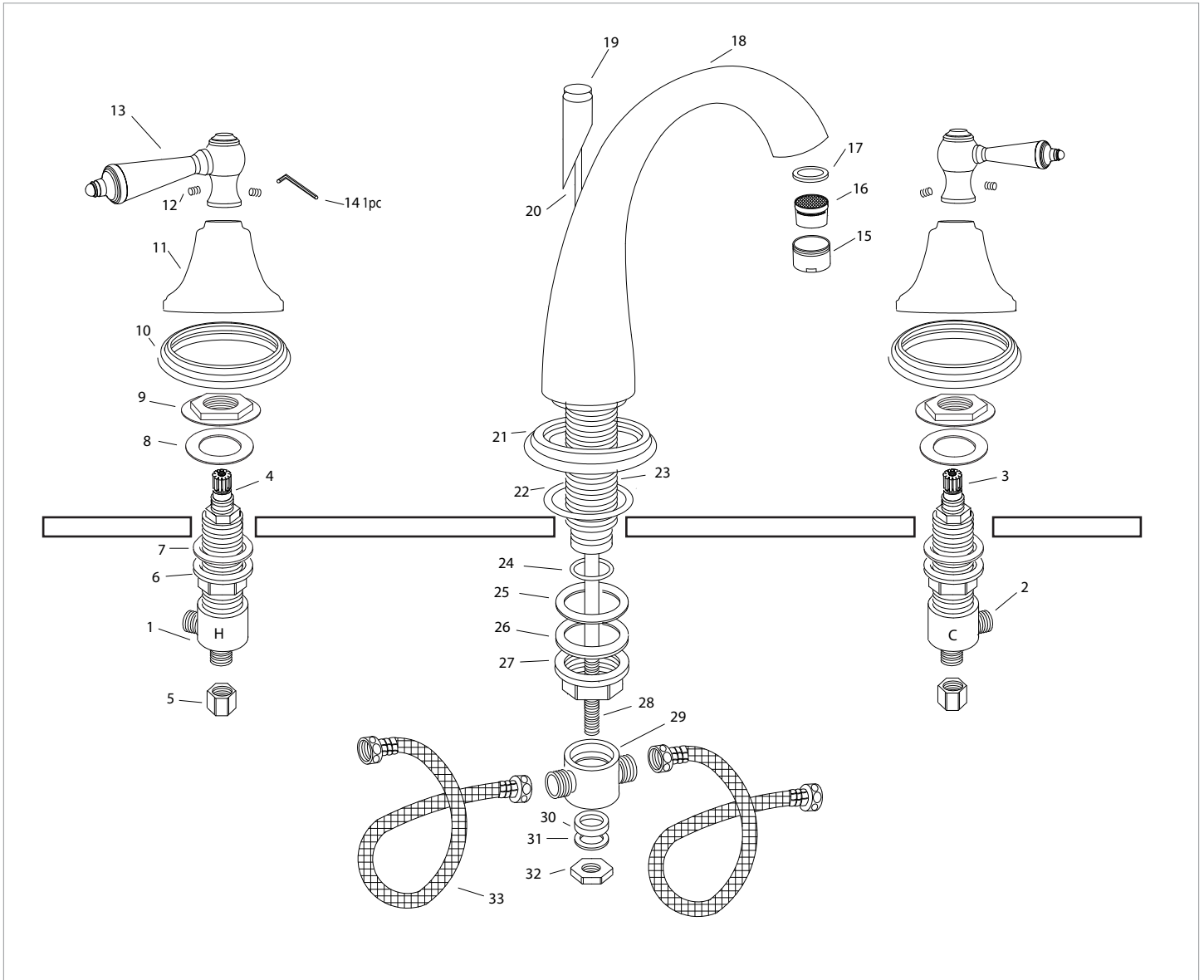


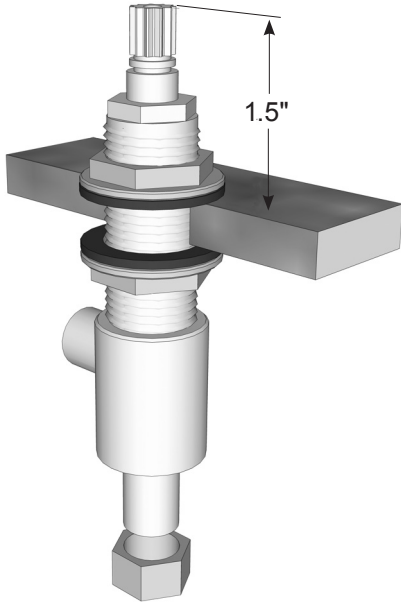
Installation Notes

- If mounting through a counter top the three holes should be 1 ¼" to 1 3/8" maximum in diameter
- Maximum deck thickness is 1 ½"
- Hole spread is adjustable from 8" to 16" maximum
- A few simple tools will make the installation easier: Basin wrench, small Crescent wrench, pliers, Phillips screwdriver, Teflon tape.



Step 1

Install Hot & Cold Valves
Parts 1-9



Step 2

Install Handle & Escutcheons
Parts 10-14

Step 3

Install Spout Assembly
Parts 15-28

Step 4

Install Tee Assembly & Supply Lines
Parts 29-33

Step 5

Install Pop-up Drain Assembly
Parts 40-56

