

Single Control Lavatory Faucet

Model LL102



Features


- Single Post Mount
- Mounts with or without deckplate for single hole of 4" installation
- Solid brass construction
- Ceramic disc cartridge
- ½" IPS connections
- Lifetime limited warranty
- Pop-up drain included

Codes/Standards

Specified model meets or exceeds:

- ASME/ANSI A112.18.1M
- CSA B125
- ADA compliance to ANSI A117.1
- NSF 61
- Energy Policy Act of 1992
- AB1953 Low Lead
- WaterSense

Specified Models:

Model No.	Product Description
 LL102	Single Control Lavatory Faucet

Finish Codes:

Series Finish Codes

(Add to base model number, (Example: LL102-PC))

Polished Chrome	PC
-----------------	----

Giagni reserves the right to make specification and pricing changes without notice or obligation, and to change or discontinue models and finishes.

Giagni

1 of 2

548 South Columbus Avenue • Mount Vernon, New York 10550 • 1-888-560-5222 • www.giagni.com

LL102 (05/11/09) All rights reserved. © Giagni 2009

Single Control Lavatory Faucet

Model LL102

Technical Information

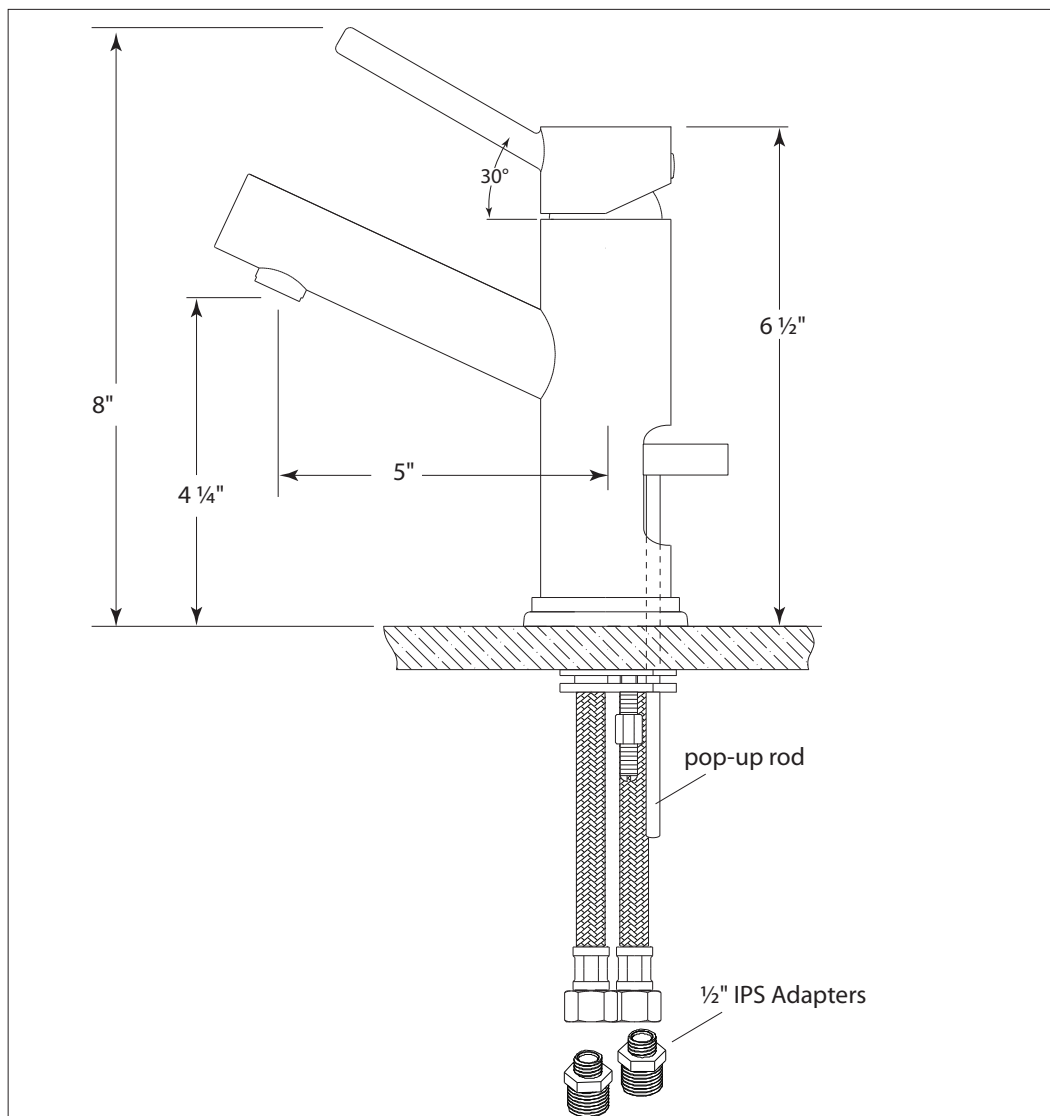
- 14" Stainless steel braided supply hoses
- Replacement parts available
- Toll-free helpline: 888-560-5222
- Water-saving aerator: 1.5 gallons (5.7L) per minute max @ 60 psi (4Kg/sq. cm)

Installation Notes

- Mounts in single hole
- Install with supplied deckplate for 4" installation
- Requires 1 3/8" hole diameter
- Maximum counter thickness: 1 1/2"

Warranty

Limited lifetime function and finish warranty to the original consumer purchaser covering defects in material and workmanship. 5 Year limited warranty for all industrial and commercial applications. See complete warranty statement for details



Giagni reserves the right to make specification and pricing changes without notice or obligation, and to change or discontinue models and finishes.