

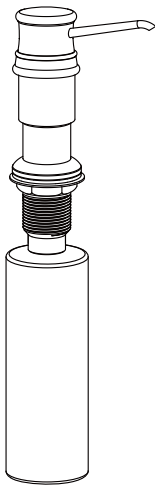
Installation Instruction

Stainless Steel Soap Dispenser

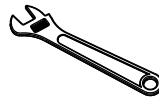


Before Your Installation

Check to make sure you have the following parts indicated below:



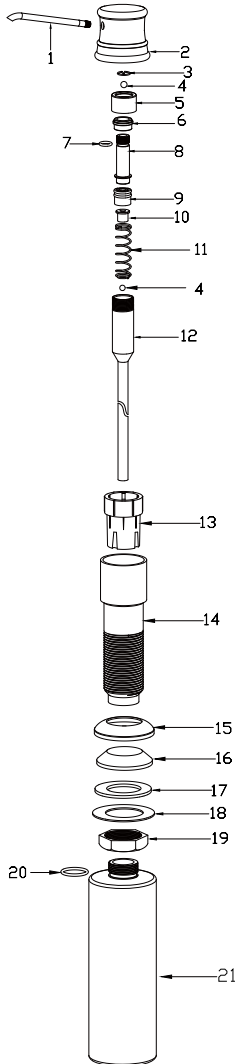
Tools You Will Need



Adjustable wrench

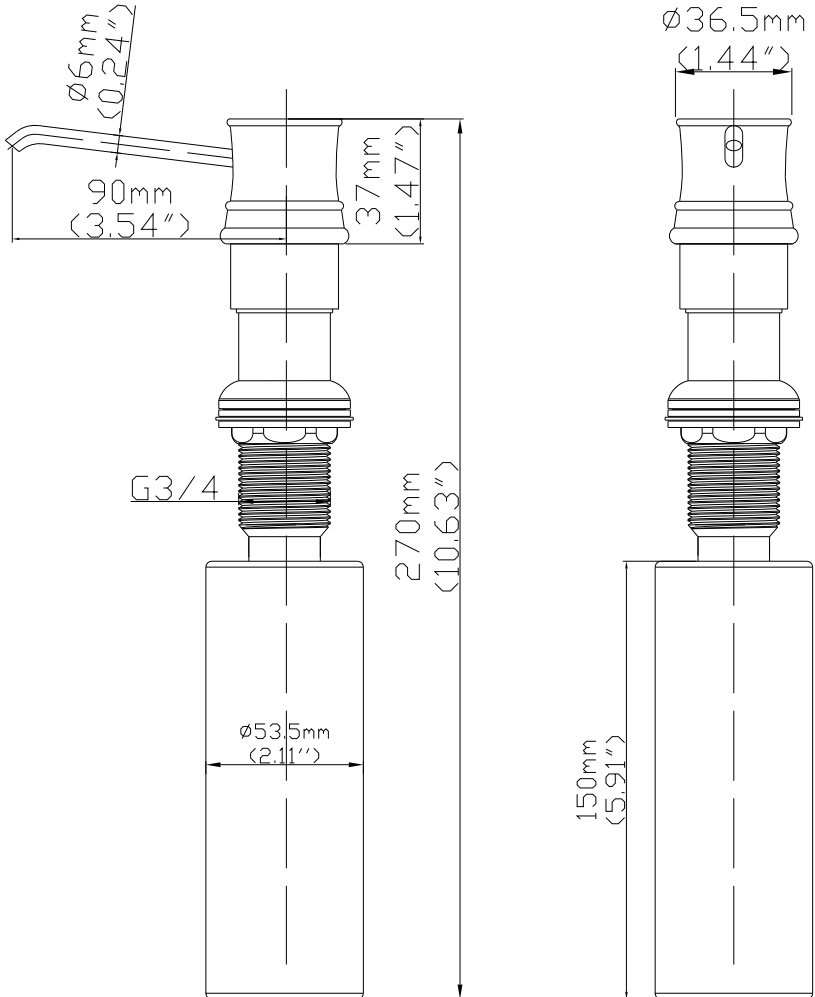
Replacement Parts

Keep this manual for ordering replacement parts.



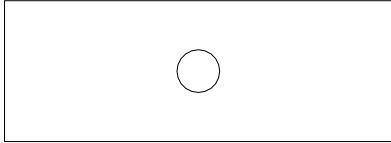
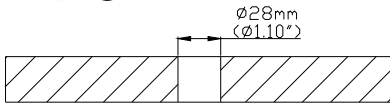
NO	NAME
1.	Tube
2.	Pump cover
3.	Spring ring
4.	Round bead
5.	Connector
6.	O-ring for tie-in
7.	O-ring
8.	Plunger
9.	Sealing part
10.	Anti-friction gasket
11.	Spring
12.	Straw
13.	Plastic cover
14.	Connector rod
15.	Flange
16.	Plastic part under flange
17.	Washer
18.	Stainless steel washer
19.	Hexagon nut
20.	O-ring
21.	Tank

Product Dimension Drawing

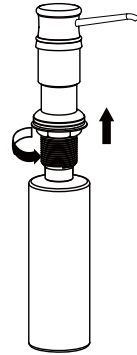


Faucet Installation Procedures

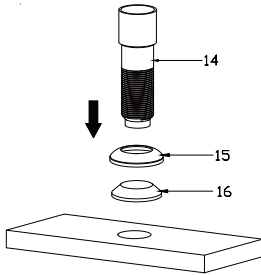
step ①



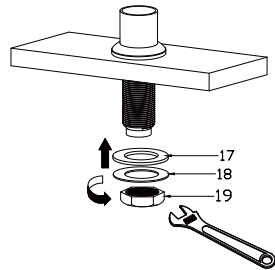
step ②



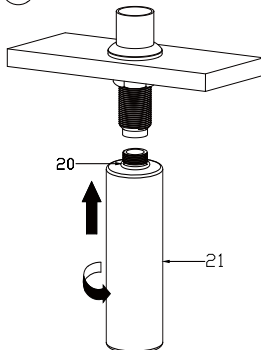
step ③



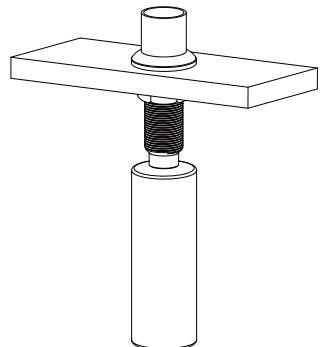
step ④



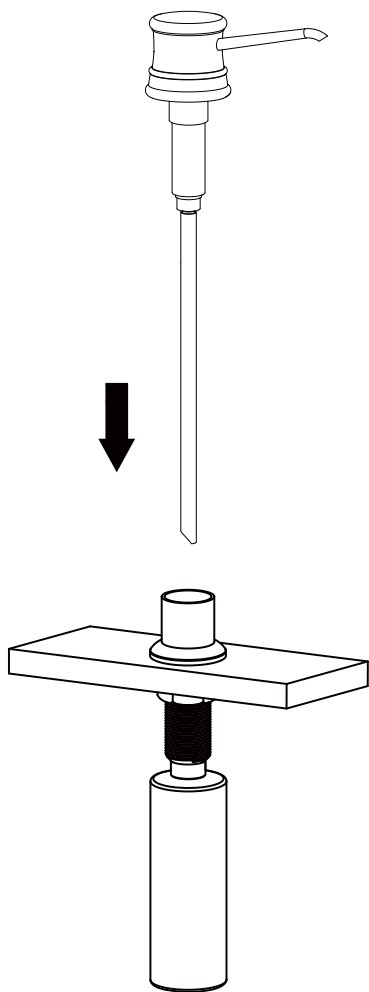
step ⑤



step ⑥



step ⑦



step ⑧

