

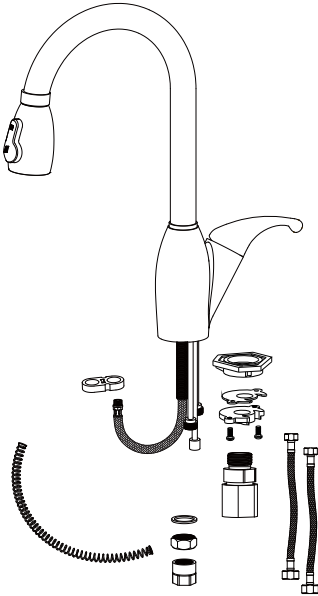
# Installation Instruction

## Single Handle Pull-down Kitchen Faucet



### Before Your Installation

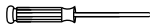
Check to make sure you have the following parts indicated below:



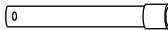
### Tools You Will Need



Adjustable wrench



Phillips screwdriver



Spanner for body  
(supplied)



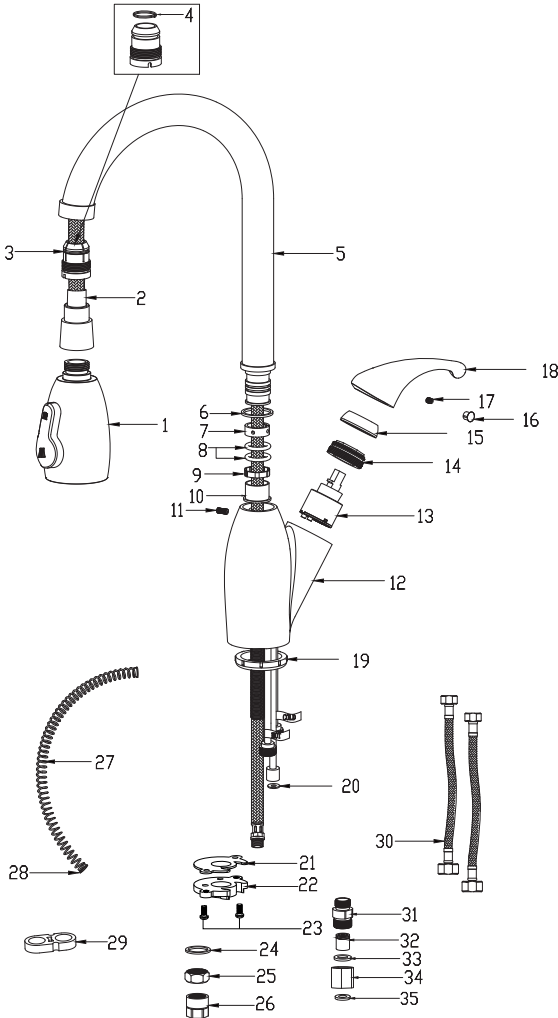
Adjustable wrench



Spanner for aerator  
(supplied)

# Replacement Parts

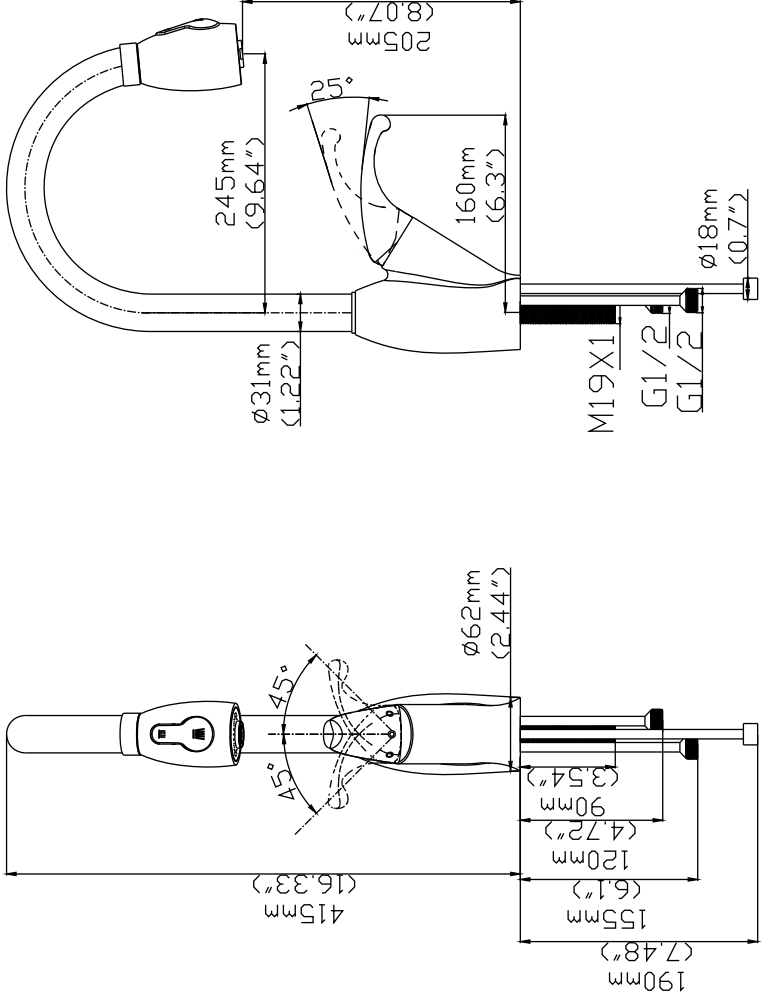
Keep this manual for ordering replacement parts.



## NO NAME

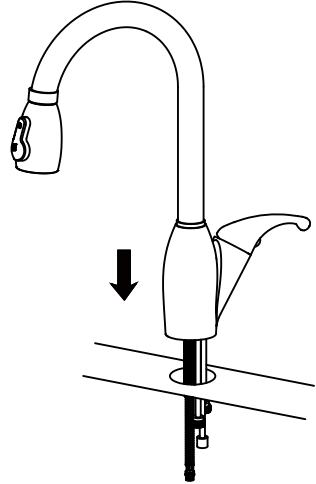
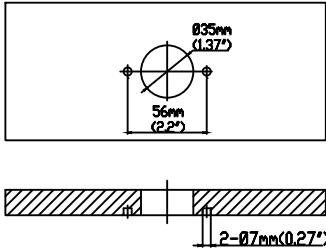
1. Pull-out sprayer
2. Black nylon hose
3. Plastic sleeve
4. Spring ring
5. Spout
6. White ring
7. Sleeve
8. O-ring
9. Sleeve
10. Sleeve
11. M4 screw
12. Faucet body
13. Cartridge
14. Fastening nut
15. Cartridge cover
16. Cover button
17. M6 screw
18. Handle
19. Bottom rubber
20. Flat gasket
21. Fastening rubber
22. Fastening gasket
23. Screw
24. Fastening ring
25. Fastening nut
26. M6 nut
27. Spring
28. Anti-friction sleeve
29. Plastic stop collar
30. hose
31. sleeve nut
32. check valve
33. Flat gasket
34. Nut
35. Flat gasket

# Product Dimension Drawing

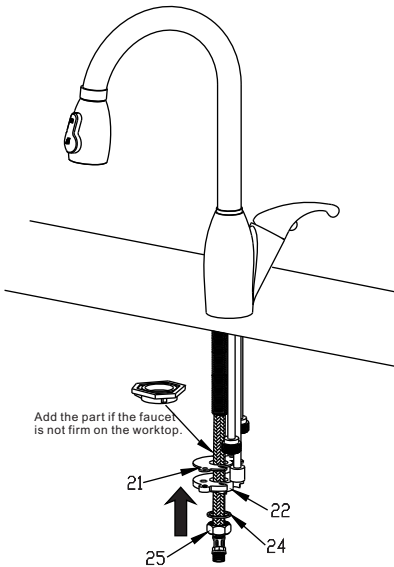


# Faucet Installation Procedures

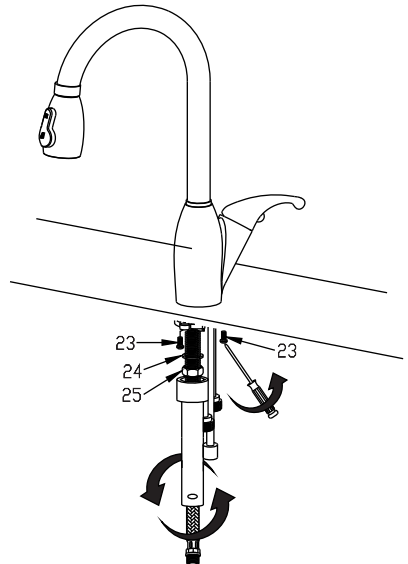
## step ①



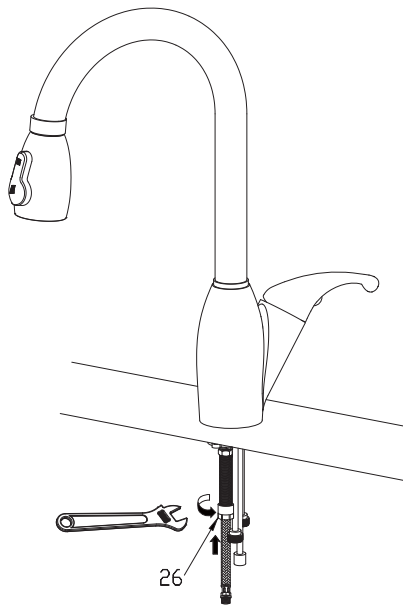
## step ②



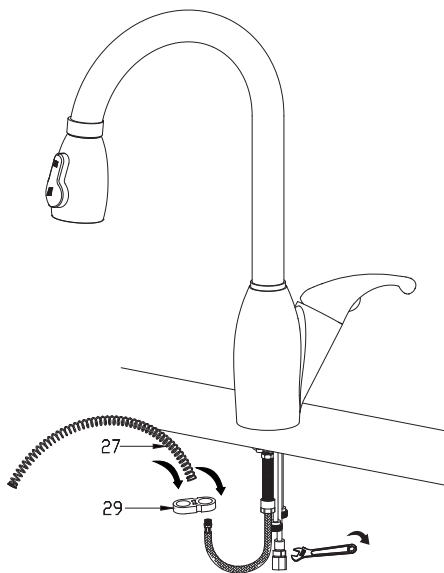
## step ③



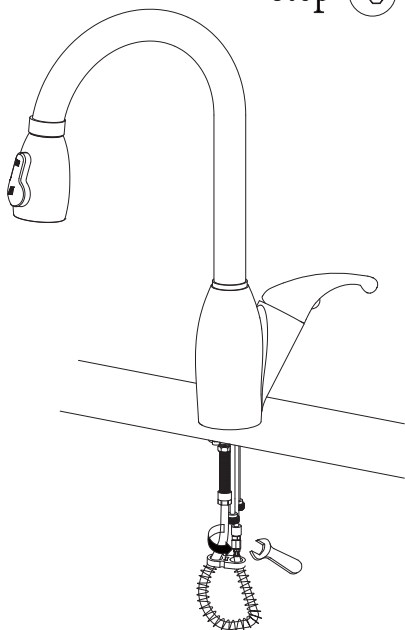
step ④



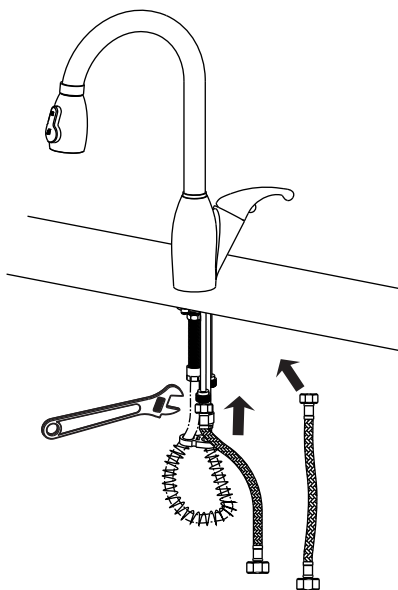
step ⑤



step ⑥



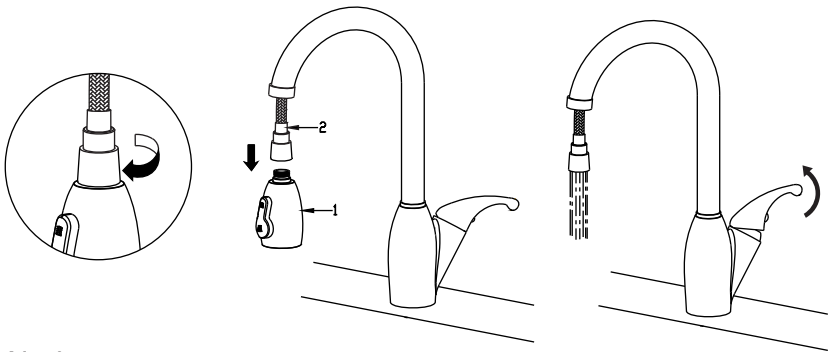
step ⑦



Step ⑧



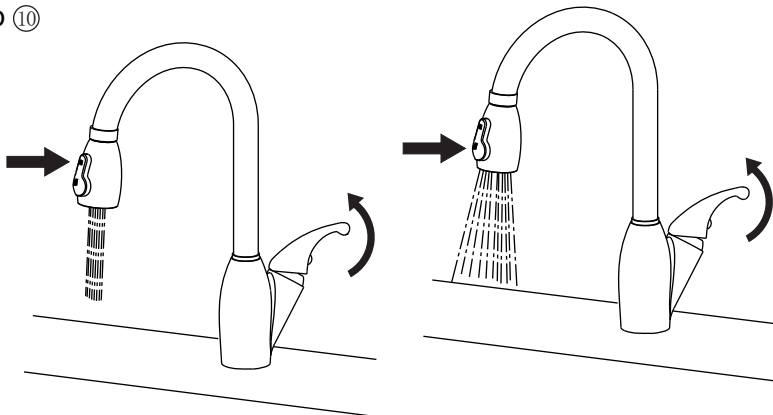
Step ⑨



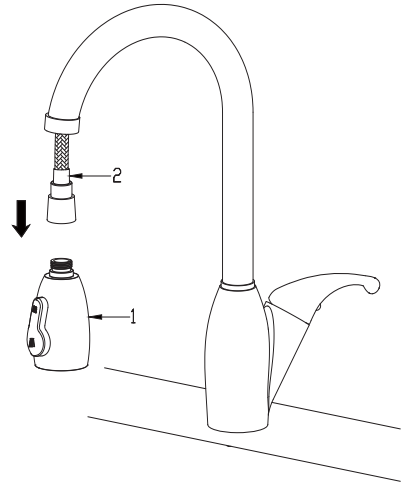
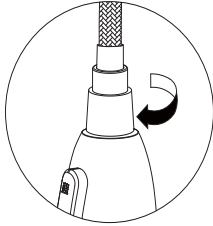
**Notice:**

Please removing all of the sand, silt and other things from the water hose before assembling, to avoid blocking the faucet and effecting water rate. Please use the special tools to disassemble it and wash with pneumatic equipment, if the faucet blocked.

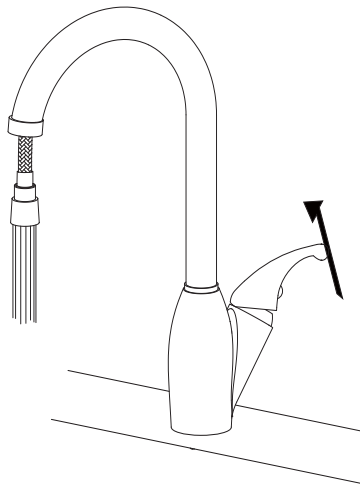
Step ⑩



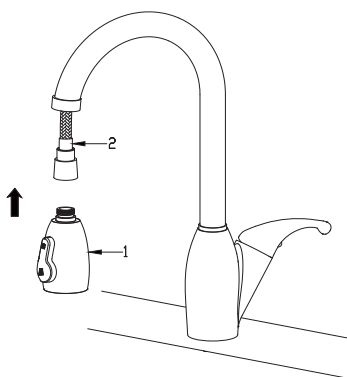
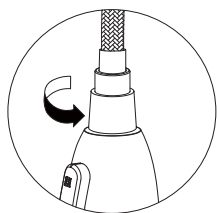
step 10



step 11



step 12



step 13

