

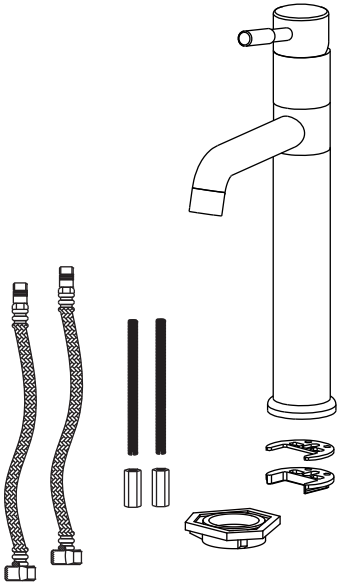
Installation Instruction

Single Handle Kitchen Faucet



Before Your Installation

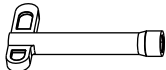
Check to make sure you have the following parts indicated below:



Tools You Will Need



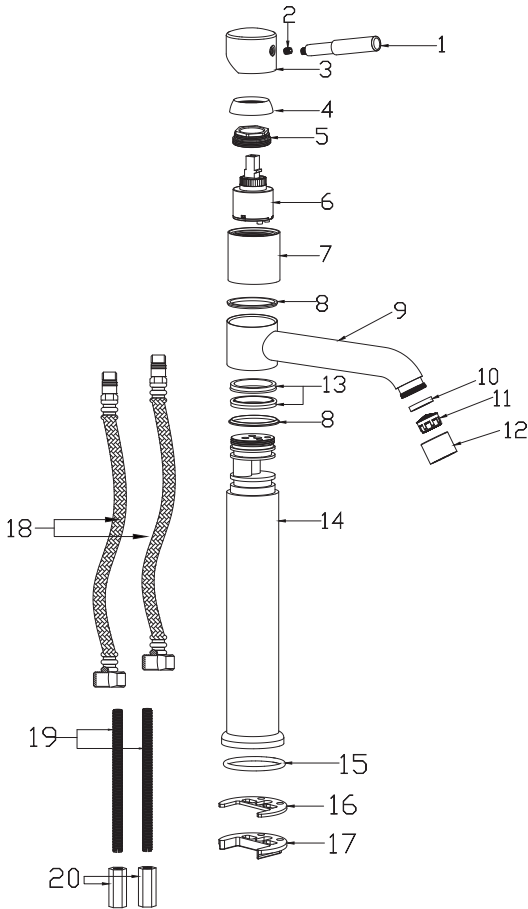
Adjustable wrench



Spanner for body
(supplied)

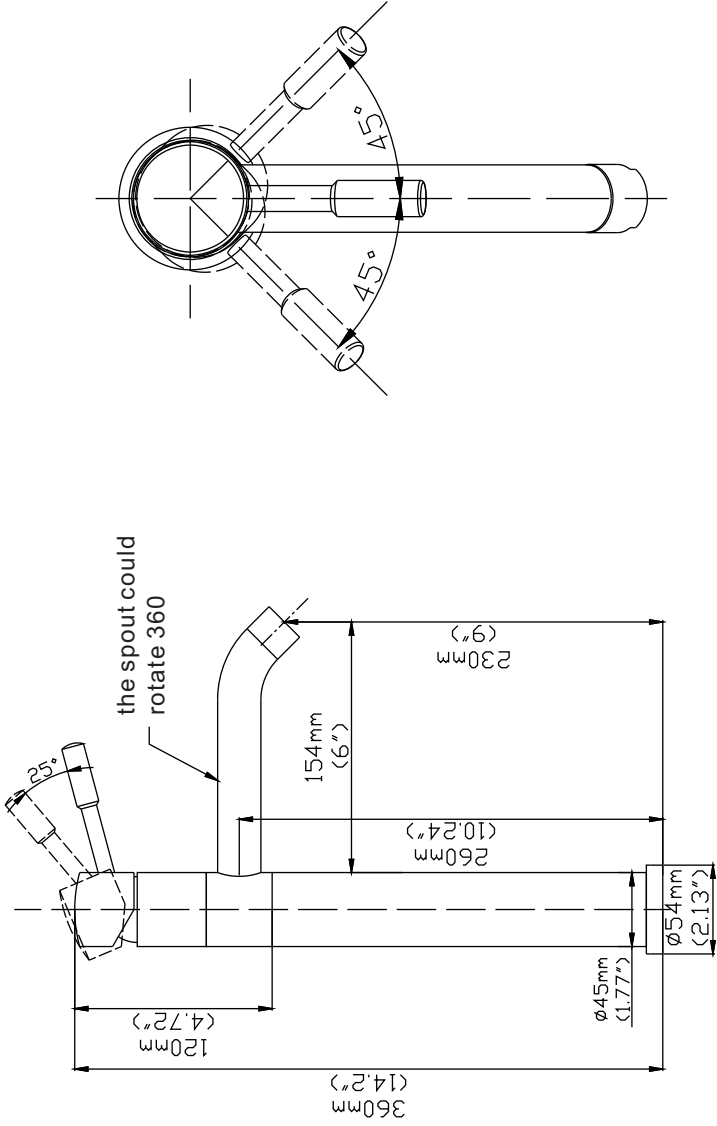
Replacement Parts

Keep this manual for ordering replacement parts.



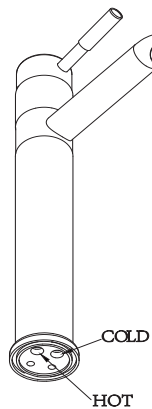
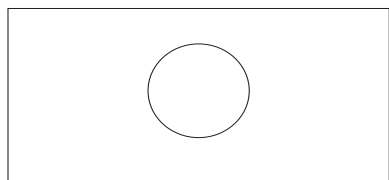
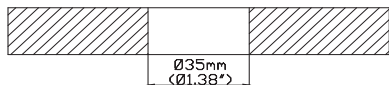
NO	NAME
1.	Handle bar
2.	M6 screw
3.	Handle knob
4.	Cartridge cover
5.	Locking nut
6.	Cartridge
7.	Sleeve
8.	Anti-friction gasket
9.	Spout
10.	Gasket
11.	Aerator
12.	Aerator holder
13.	Rubber
14.	Faucet body
15.	O-ring
16.	Locking rubber
17.	Locking gasket
18.	Hose
19.	Locking screw arbor
20.	Locking nut

Product Dimension Drawing

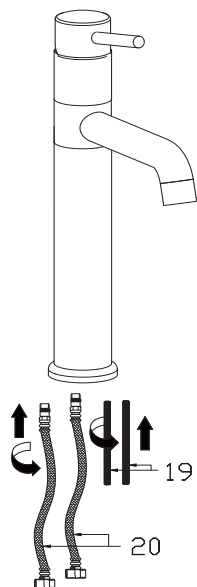


Faucet Installation Procedures

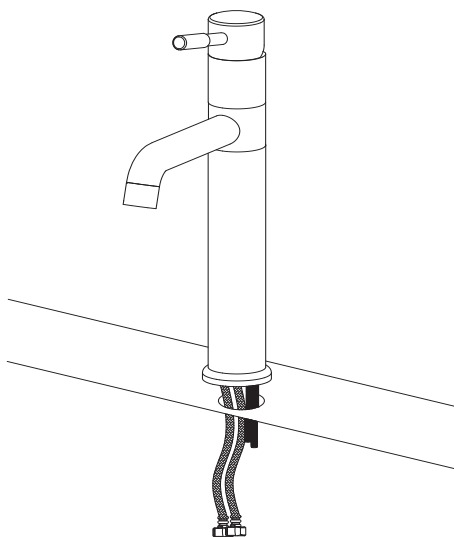
step ①



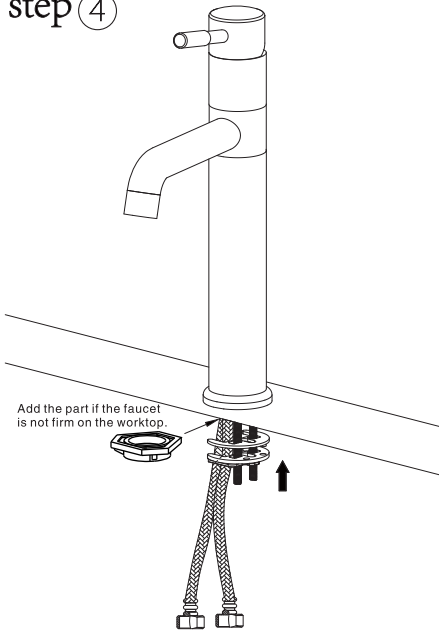
step ②



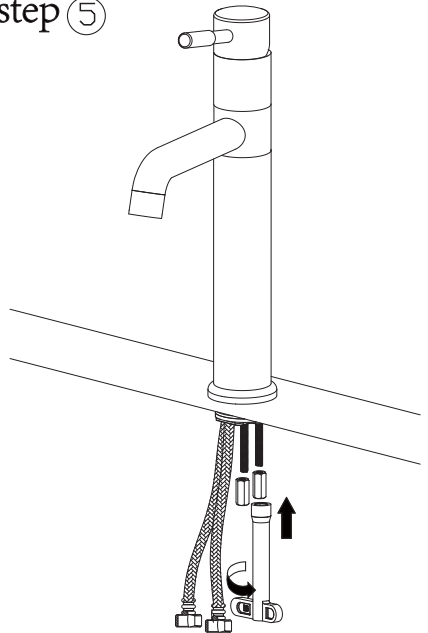
step ③



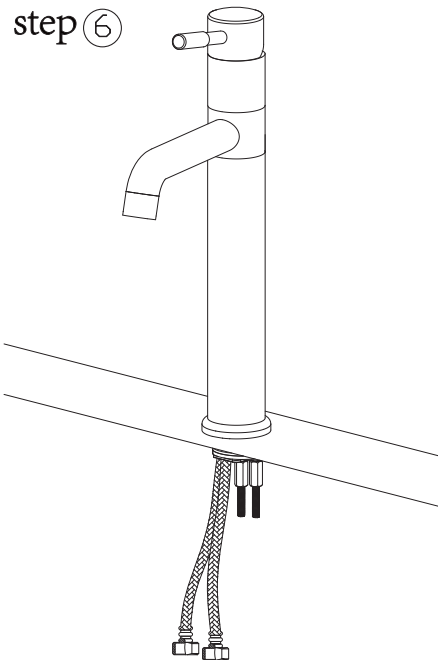
step ④



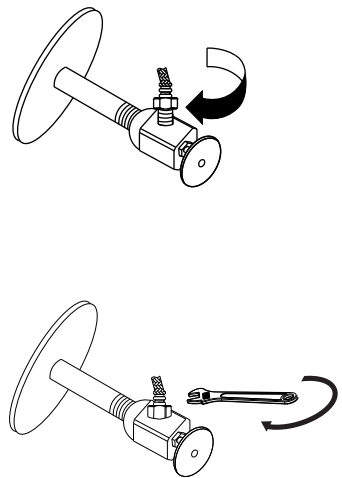
step ⑤



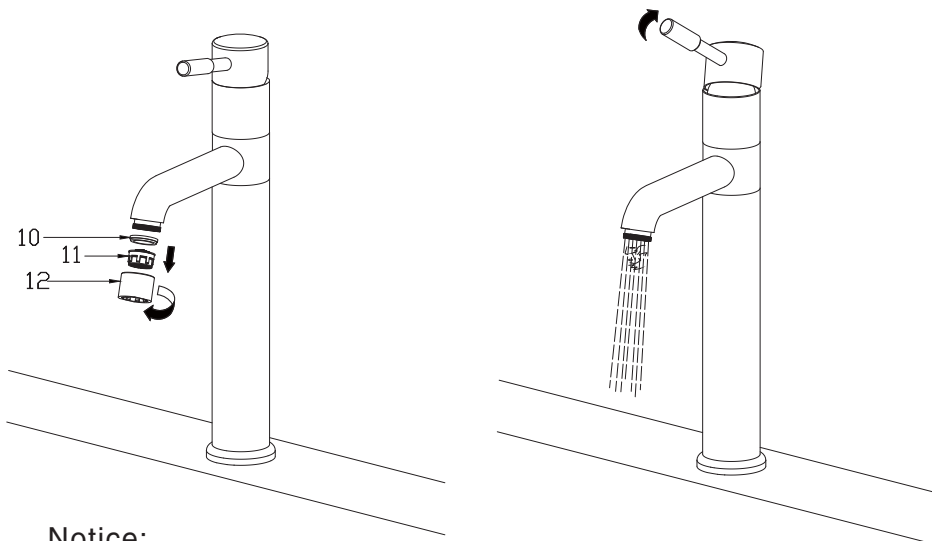
step ⑥



step ⑦



step ⑧



Notice:

Please removing all of the sand, silt and other things from the water hose before assembling, to avoid blocking the faucet and effecting water rate. Please use the special tools to disassemble it and wash with pneumatic equipment, if the faucet blocked.