

# **4 DC ENTERTAINMENT STAND**

**MODEL 44032**

## **NEED ASSISTANCE ?**

Call 4D CONCEPTS directly for parts or assembly assistance.

Individual stores do not stock parts

Call our Toll-free number 5 days a week except holidays:

Monday through Friday 8.00am to 5.00pm

Pacific Standard Time

**1-888-310-4DCO or 1-888-310 4326**

**IMPORTANT:** Before calling please have the model number

and the packing code number ready for our customer service representatives.

You will find the model number printed on the carton label and the packing

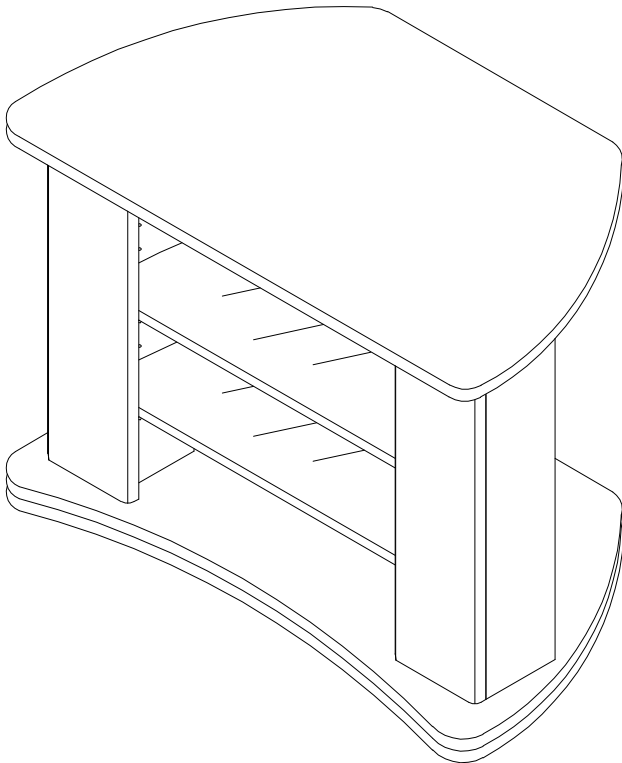
code printed in black ink on the side of the carton.

Model      44032      Packing code

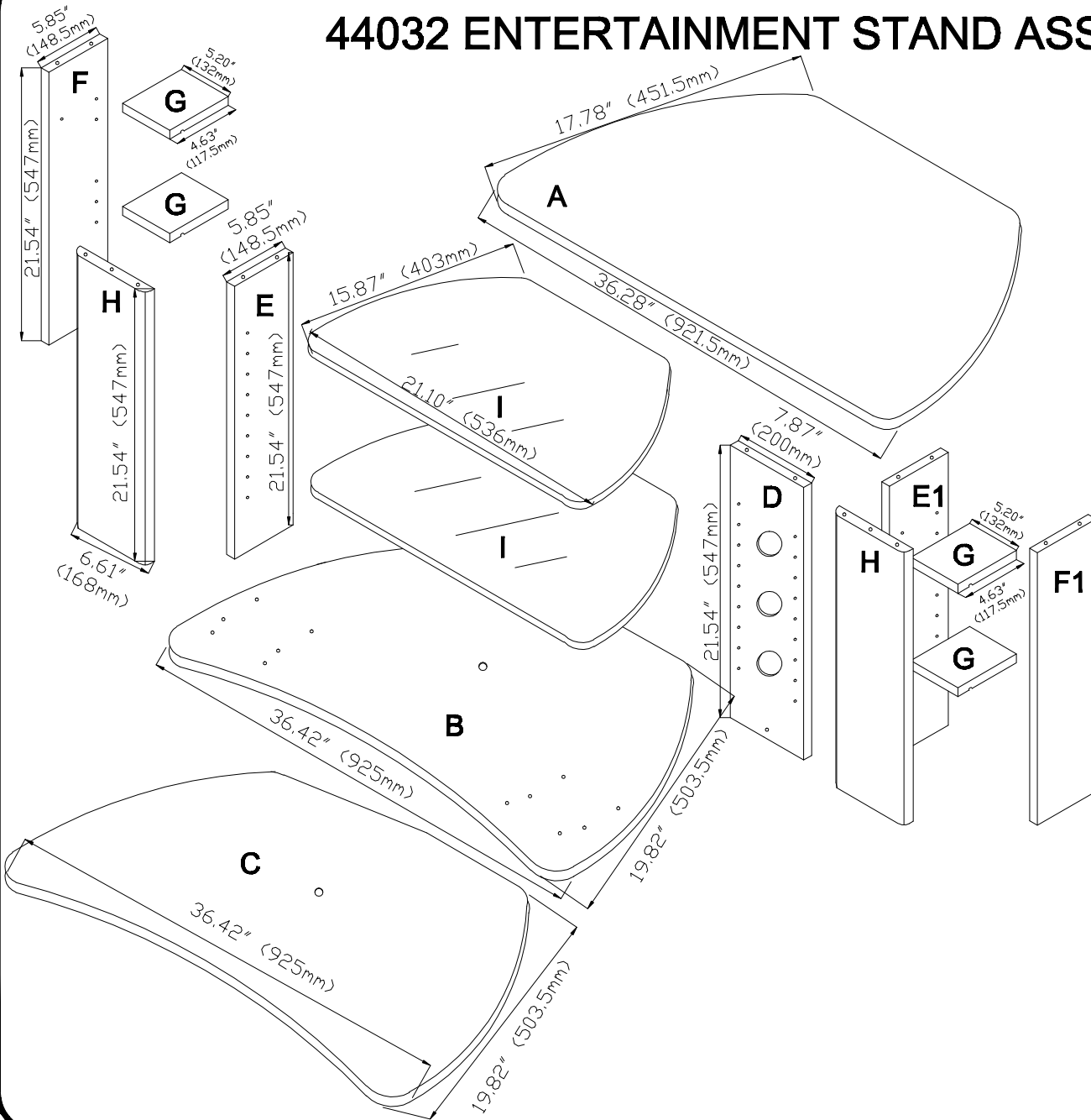
It is important that you retain the model number and the packing code

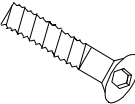

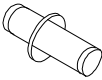
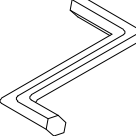
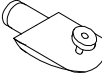
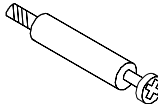

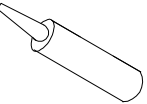
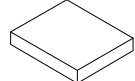
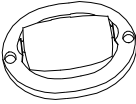

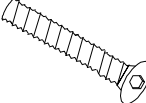
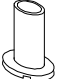
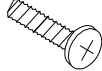

along with the original receipt of purchase for future reference.

Made in China

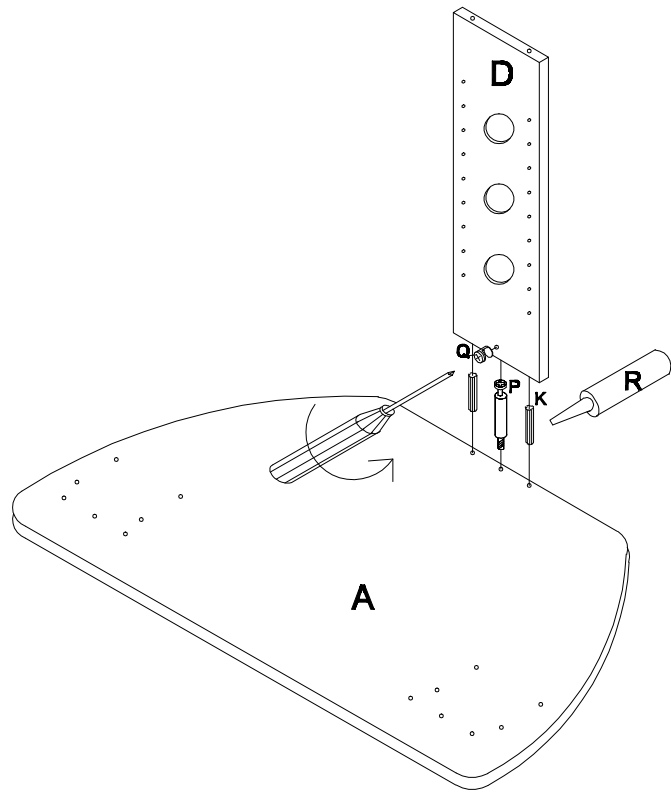
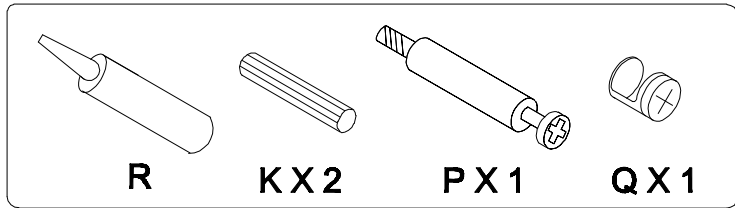


# 44032 ENTERTAINMENT STAND ASSEMBLY INSTRUCTION

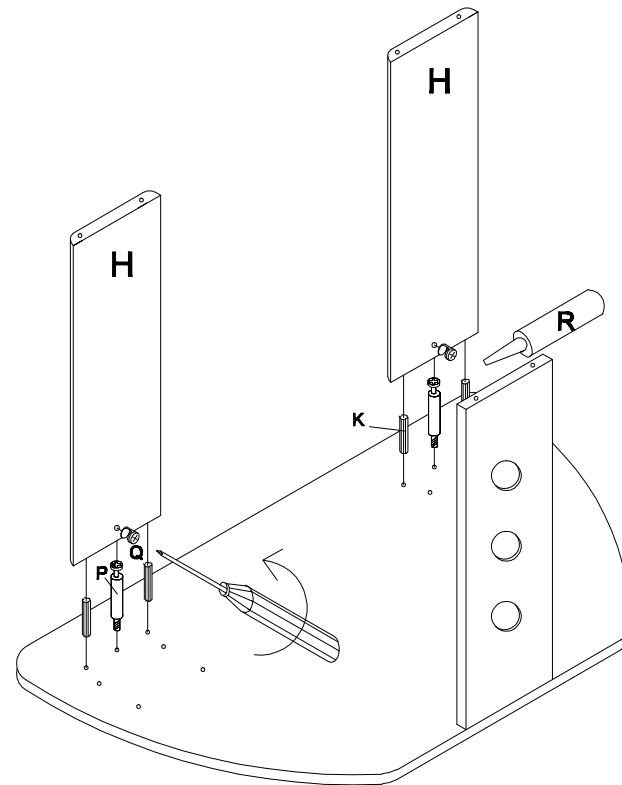
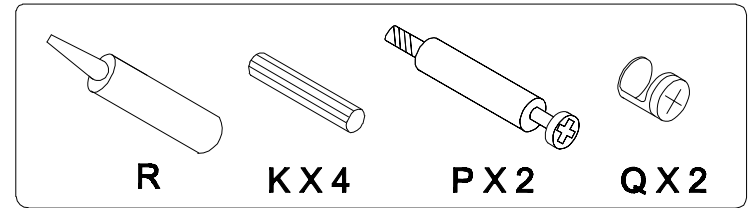


<b>J X 14</b> 6 X 50 mm 	<b>K X 14</b> 8 X 35 mm 	<b>L X 16</b> 	<b>M X 1</b> 
<b>N X 8</b> 	<b>P X 3</b> 	<b>Q X 3</b> 	<b>R X 1</b> 
<b>EVA Pad X 8</b> 	<b>S X 8</b> 	<b>T X 16</b> 4 X 14 mm 	
<b>U X 1</b> 6 X 36 mm 	<b>V X 1</b> 	<b>W X 2</b> 5.9 X 21 mm 	<b>Y X 2</b> 

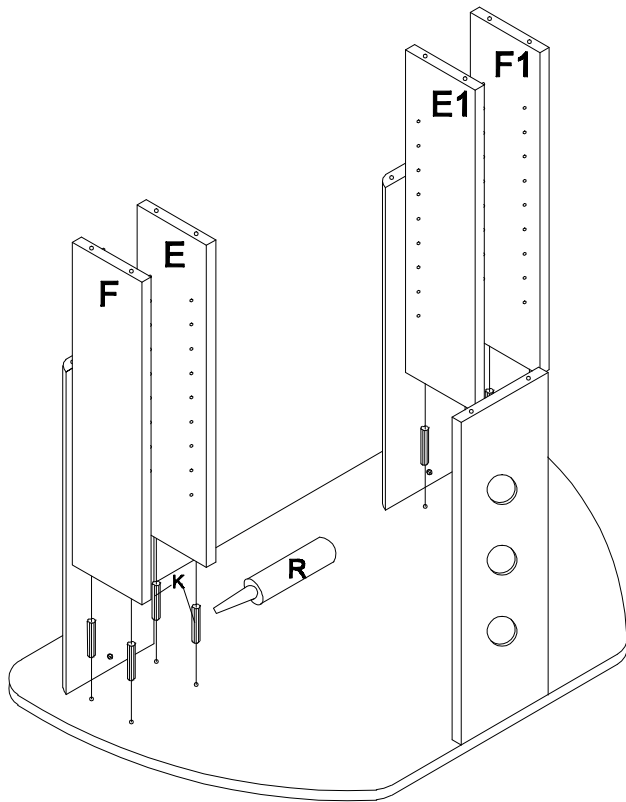
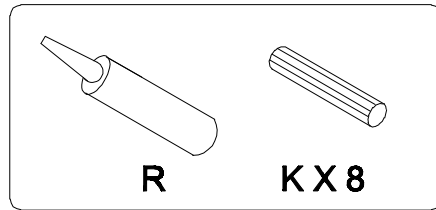
1.



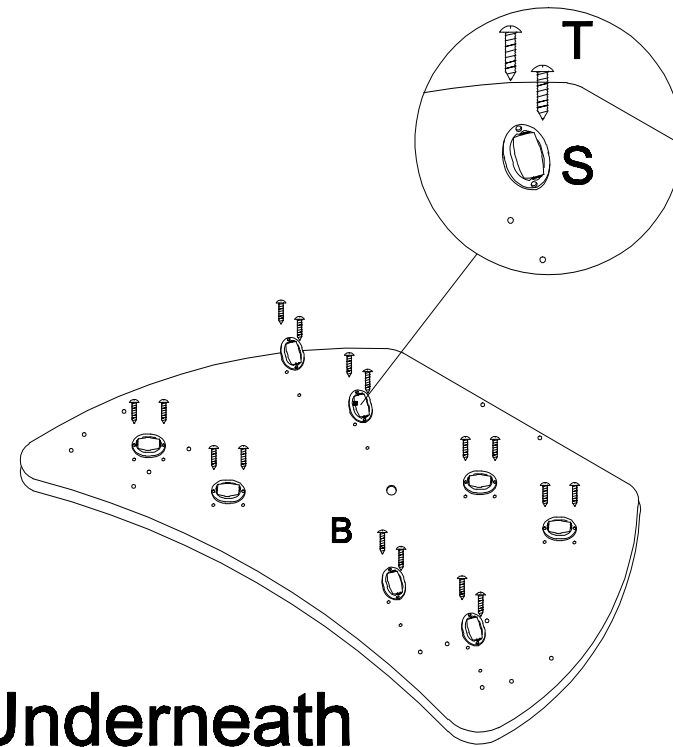
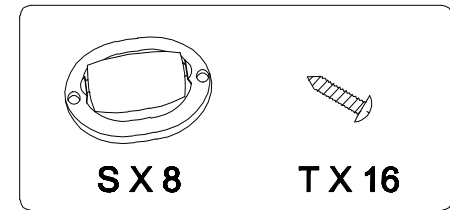
2.



3.

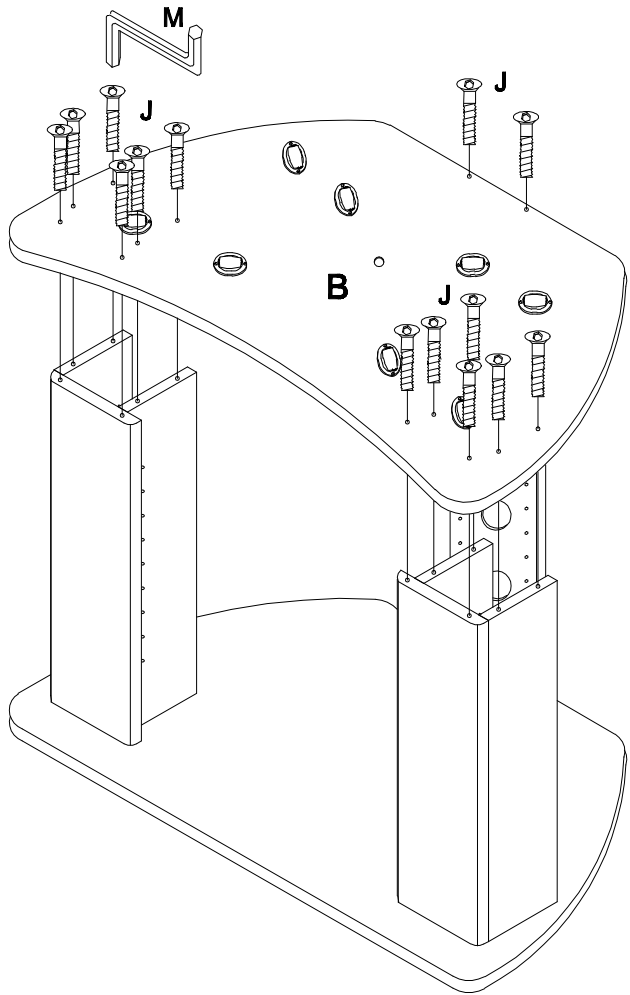
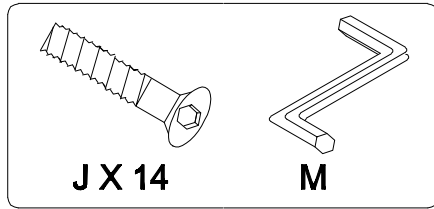


4.

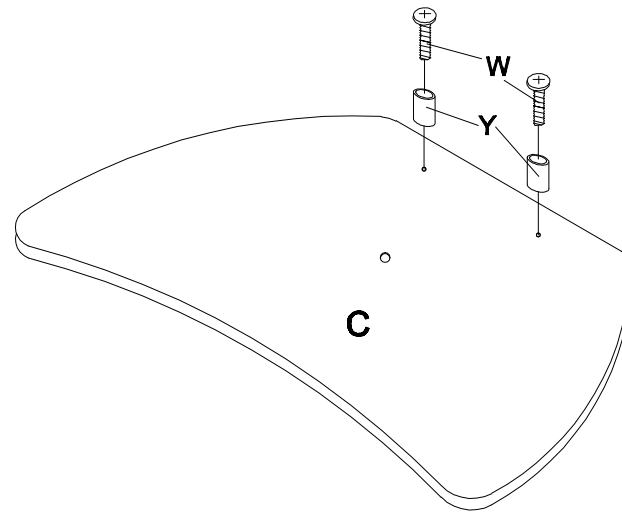
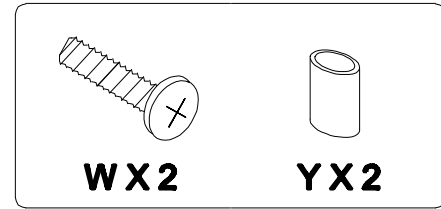


Underneath

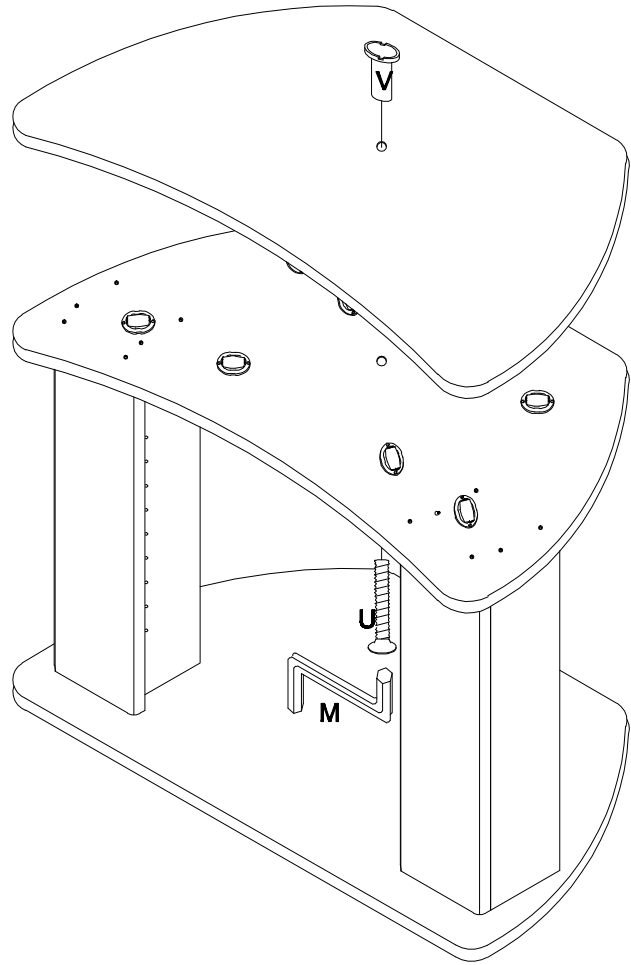
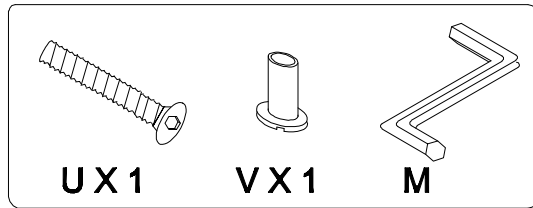
5.



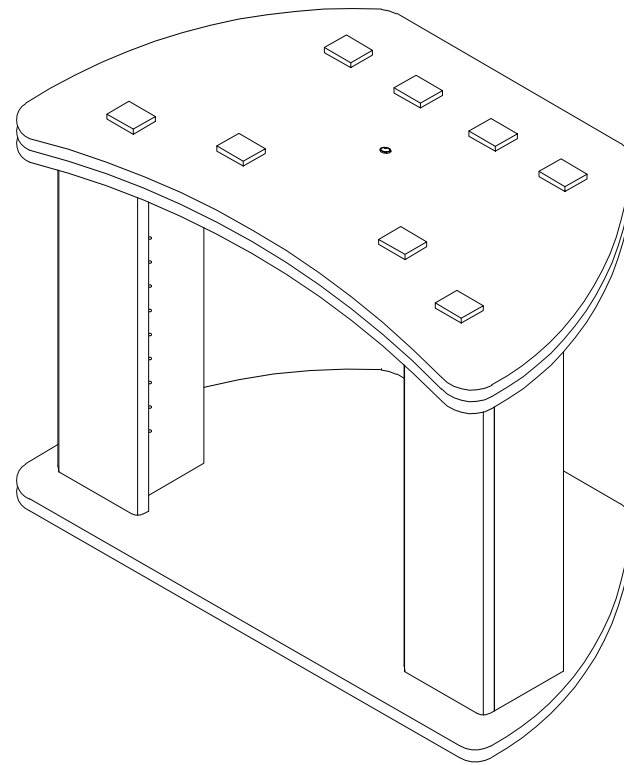
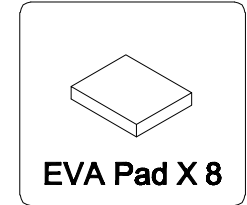
6.



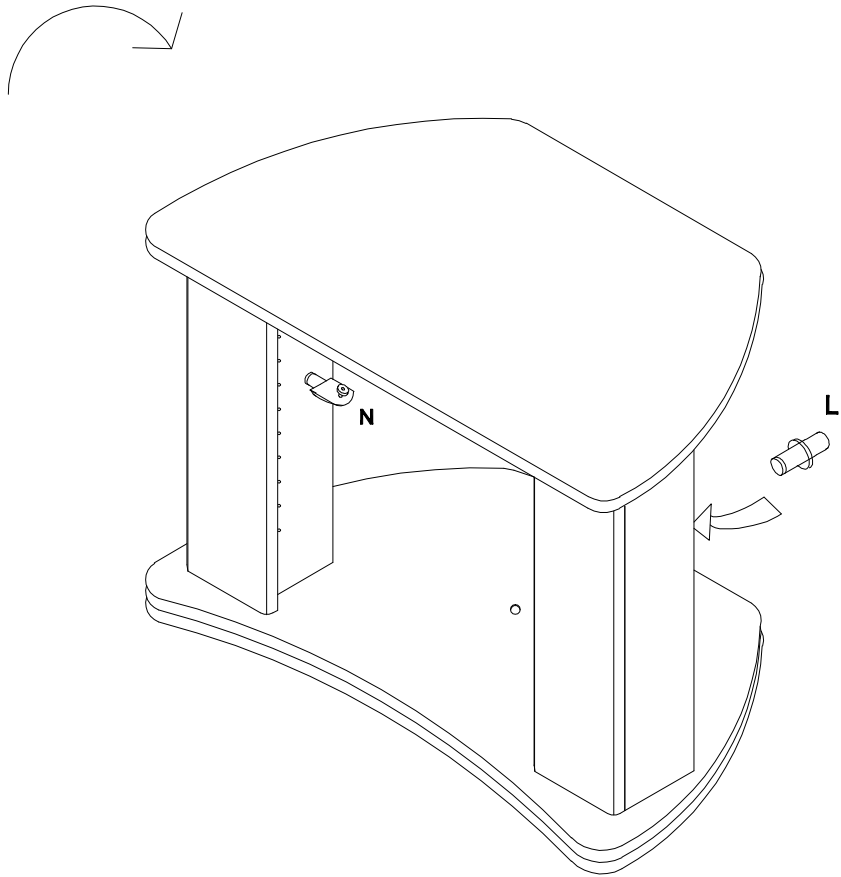
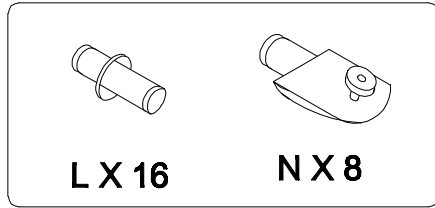
7.



8.

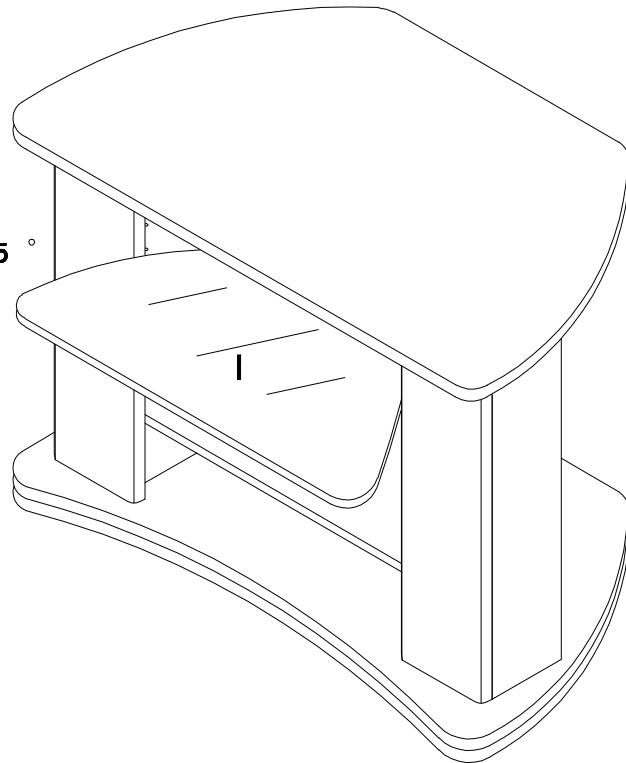


9.

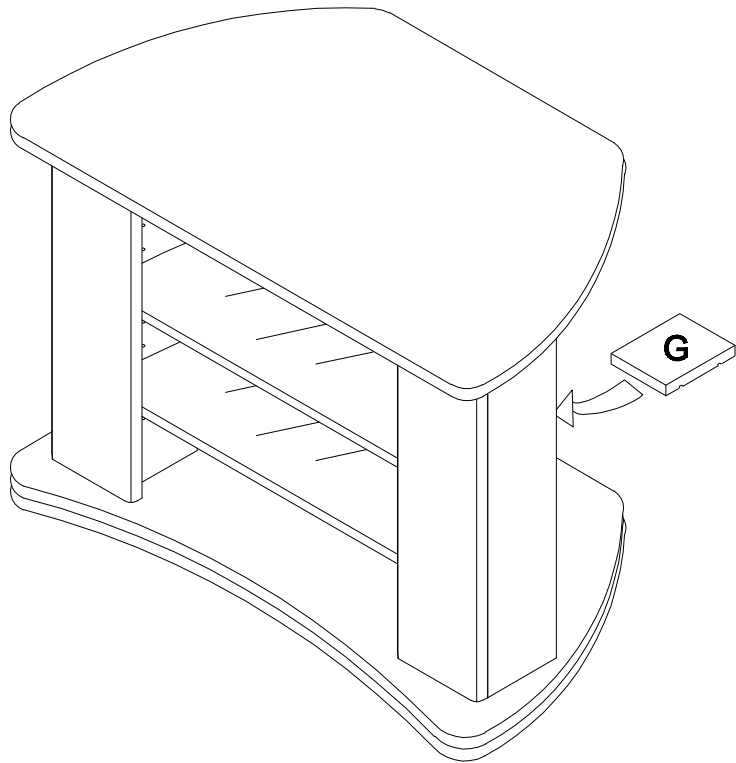


10.

Glass Slope 45 °



11.



12.

