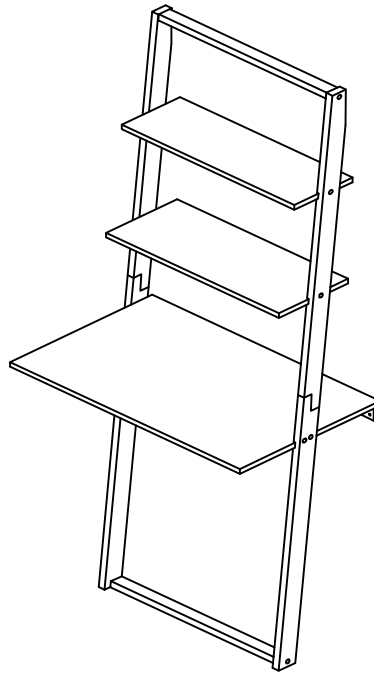


# 4DC ARLINGTON DESK

**MODEL: 89848**



## NEED ASSISTANCE ?

Call 4D Concepts directly for parts or assembly assistance.  
Individual Store do not stock parts.

Call our Toll-free number 5 days a week excepts holidays:  
Monday through Friday 8.00am to 5.00pm  
Pacific Standard Time

**1-888-310-4DCO or 1-888-310 4326**

IMPORTANT: Before calling please have the model number  
and the packing code number ready for our customer service representatives.  
You will find the model number printed on the carton label and the packing  
code printed in black ink on the side of the carton.

Model 89848 Packing Code

It is important that you retain the model number and the packing code  
along with the original receipt of purchase for your future reference.

Made in Malaysia

# 89848 ASSEMBLY INSTRUCTION

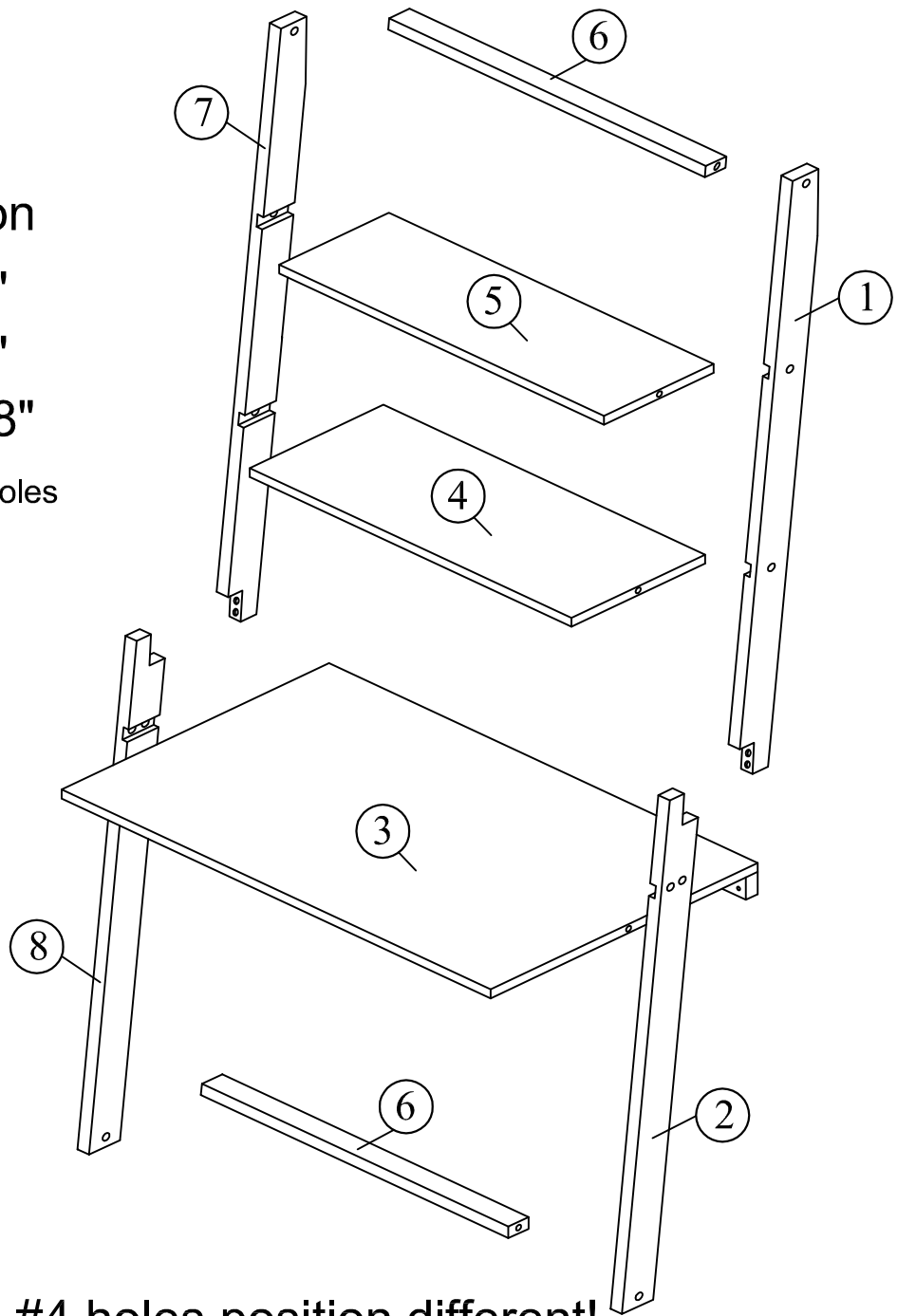
## Shelf Dimension

#5 31.4"x8.07"

#4 31.4"x8.07"

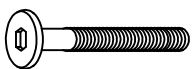
#3 31.4"x19.68"

Remarks! #5 and #4 holes position DIFFERENT !

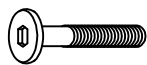


Remarks! #5 and #4 holes position different!

A x 12



B x 4



C x 4



D x 8



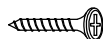
E x 1



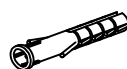
F x 12



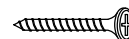
G x 2

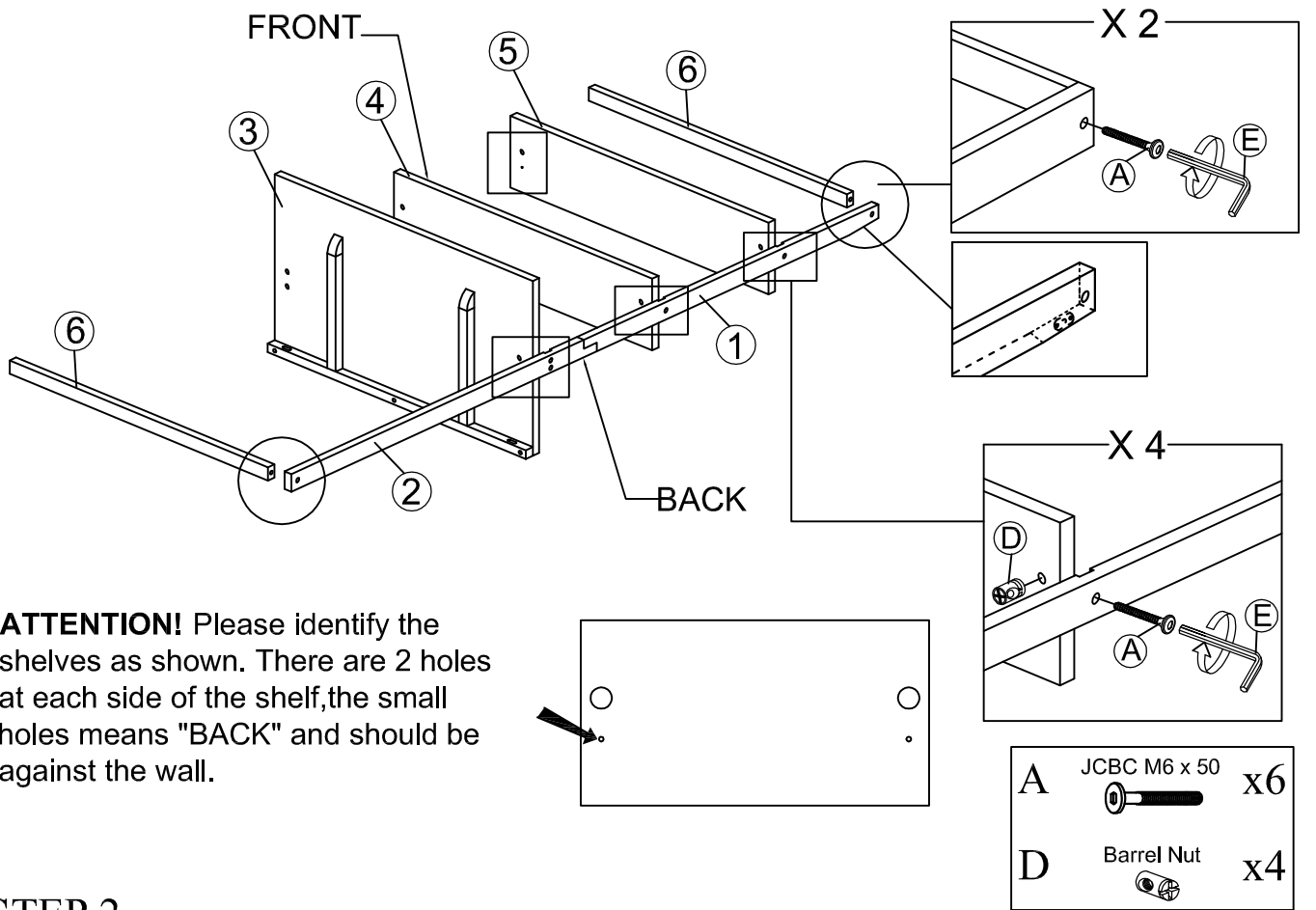
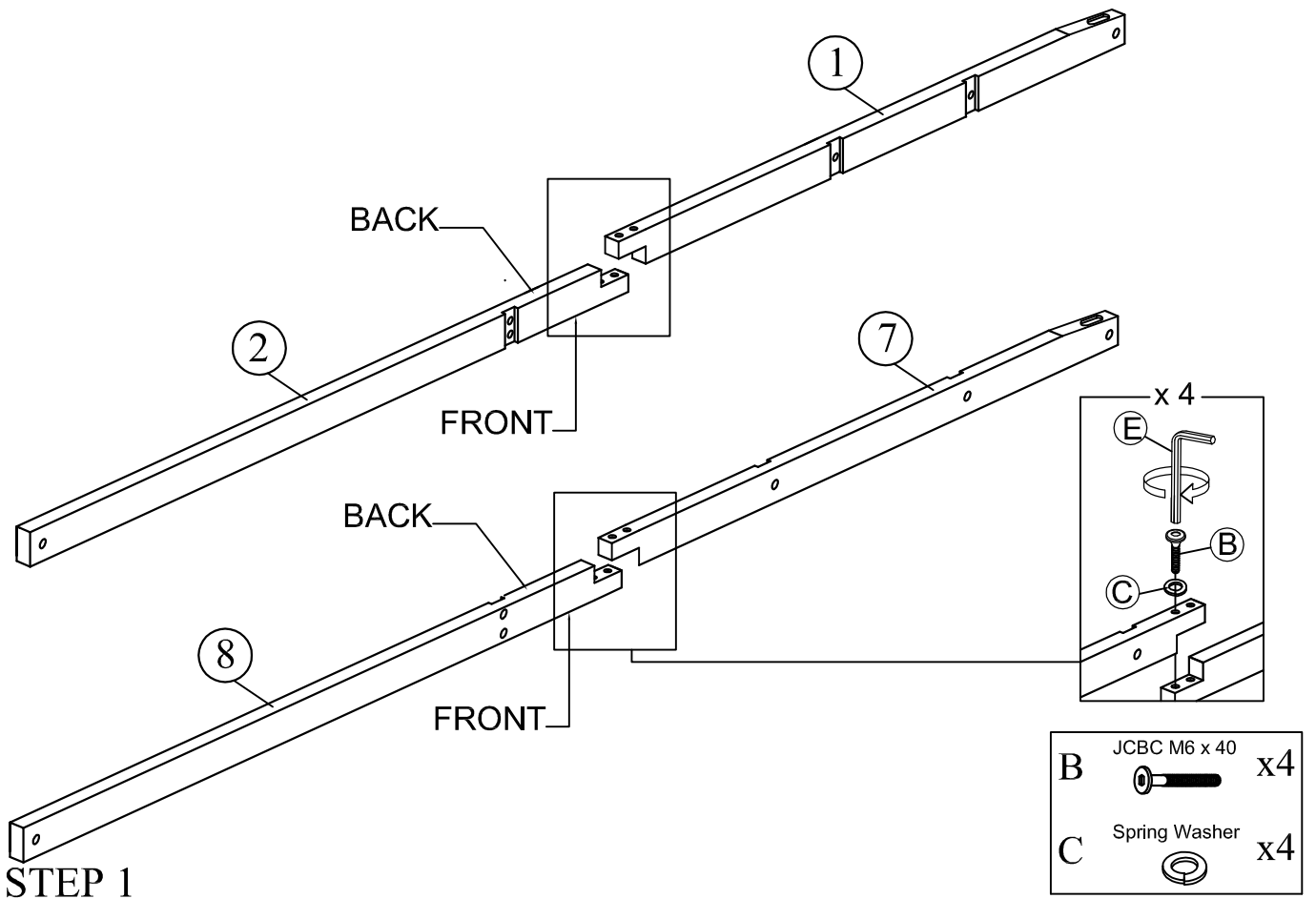


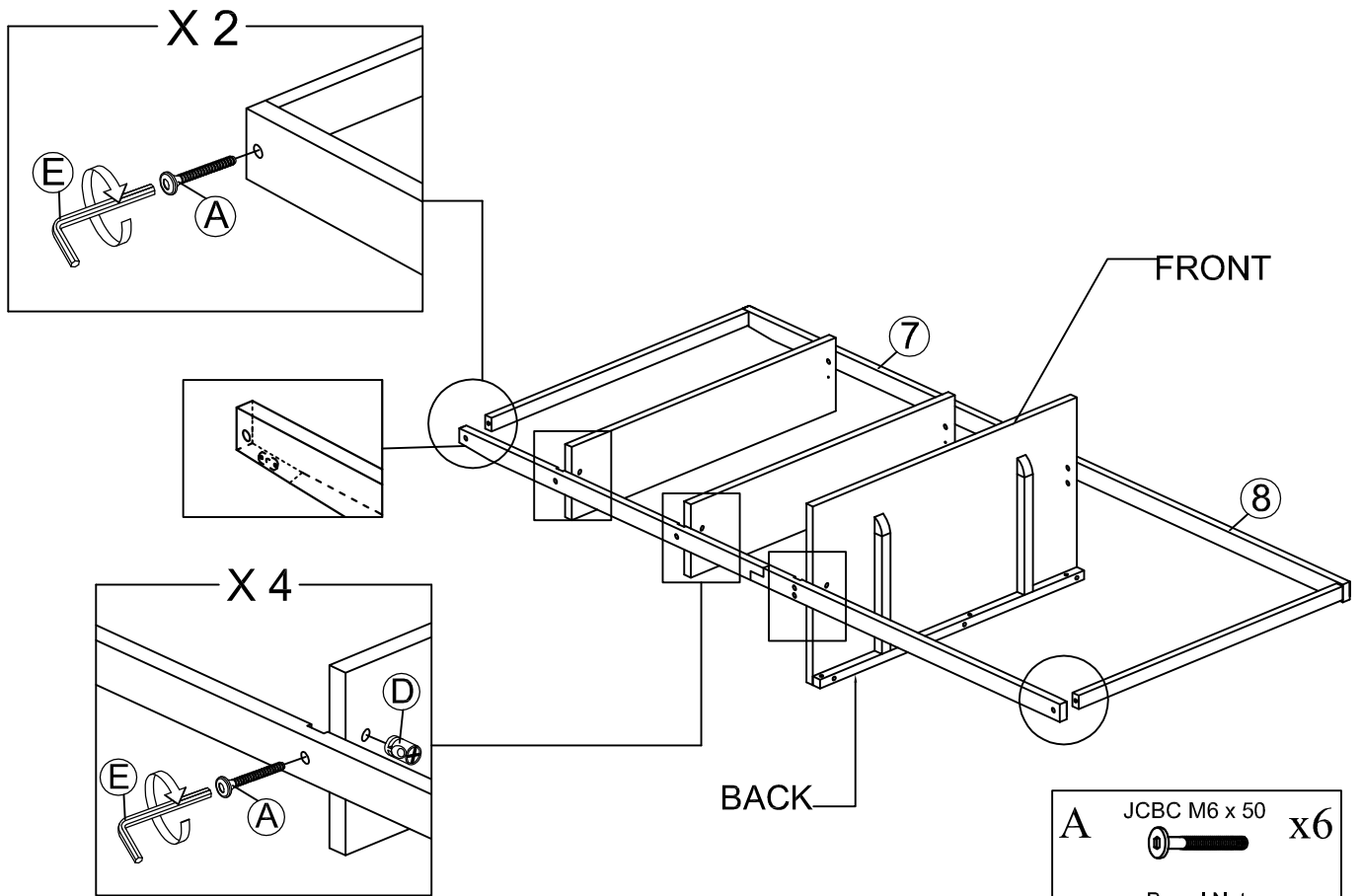
H x 4



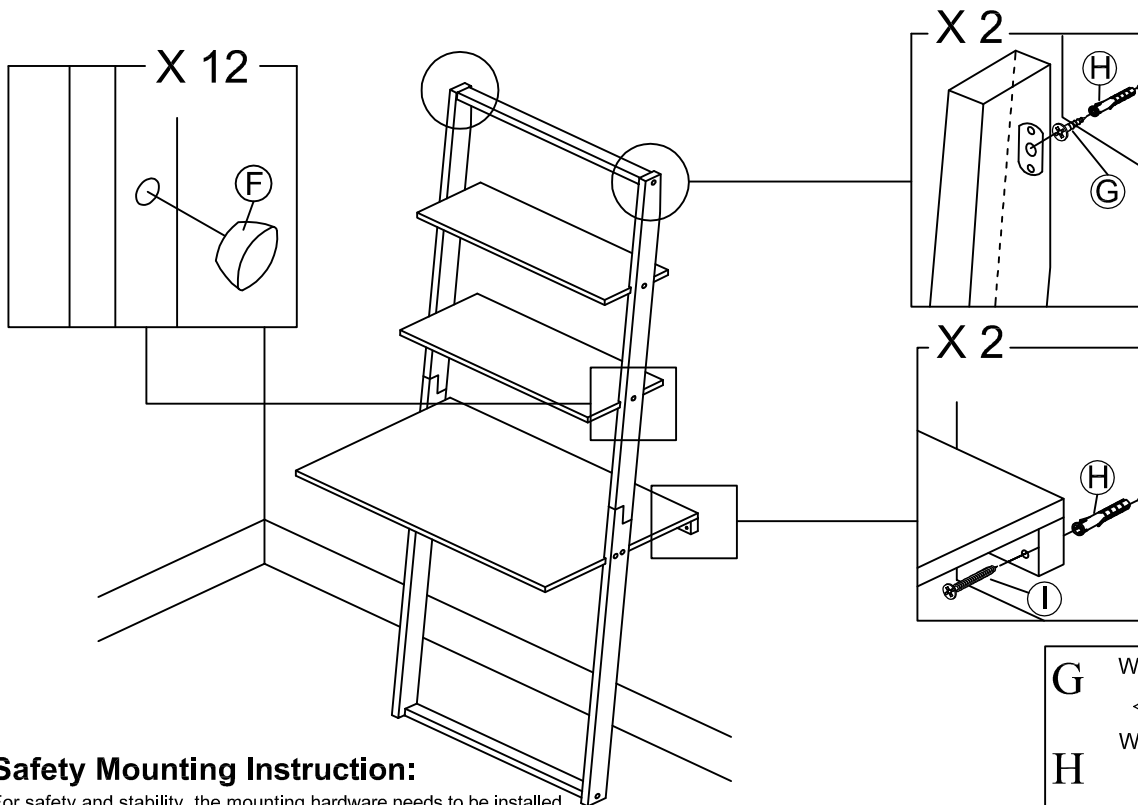
I x 2







### STEP 3



- |   |            |    |
|---|------------|----|
| G | Wood Screw | x4 |
| H | Wall Plug  | x2 |
| I | Wood Screw | x2 |

### Safety Mounting Instruction:

For safety and stability, the mounting hardware needs to be installed. For safe mounting, it is essential to use wall anchors appropriate to your wall type (i.e. plaster, drywall, concrete, etc.). Mount to wood studs whenever possible.

**NOTE: If you are unsure about your wall type or what mounting method you should use, consult a qualified professional or your local hardware store.**

### STEP 4