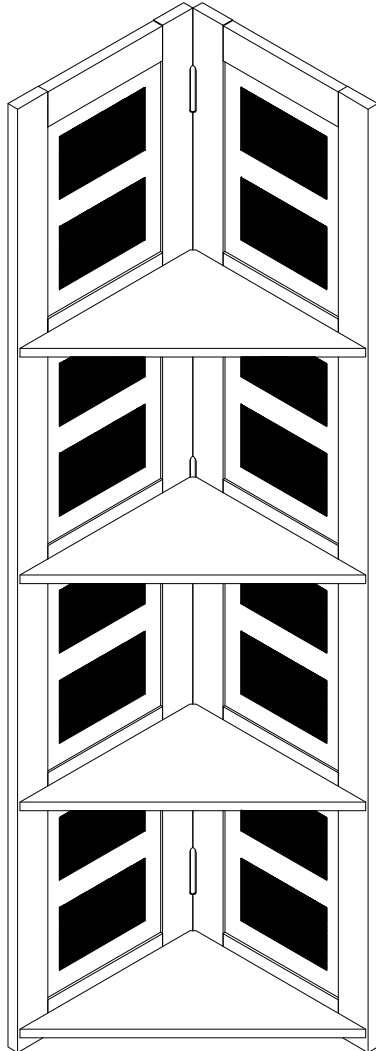


# 4 DC CORNER PICTURE SHELF 4 TIER

**MODEL: 94810**



## **NEED ASSISTANCE ?**

**Call 4D CONCEPTS directly for parts or assembly assistance.**

**Individual stores do not stock parts**

**Call our Toll-free number 5 days a week except holidays:**

**Monday through Friday 8.00am to 5.00pm**

**Pacific Standard Time**

**1-888-310-4DCO or 1-888-310 4326**

**IMPORTANT: Before calling please have the model number**

**and the packing code number ready for our customer service representatives.**

**You will find the model number printed on the carton label and the packing code printed in black ink on the side of the carton.**

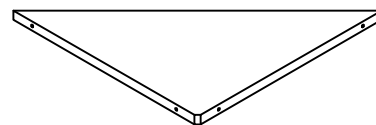
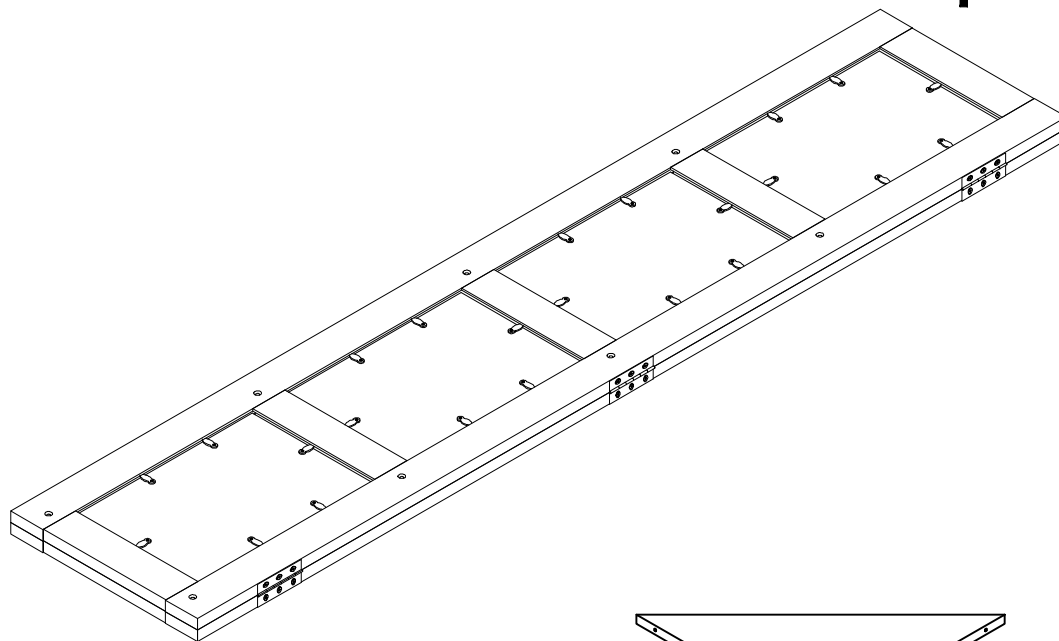
**Model                    94810                    Packing code**

**It is important that you retain the model number and the packing code along with the original receipt of purchase for future reference.**

**Made in China**

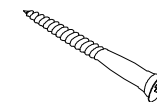
# 94810 ASSEMBLY INSTRUCTION

1 x 1 pc

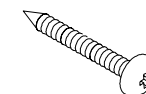


2 x 4 pcs

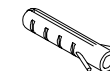
A X 16



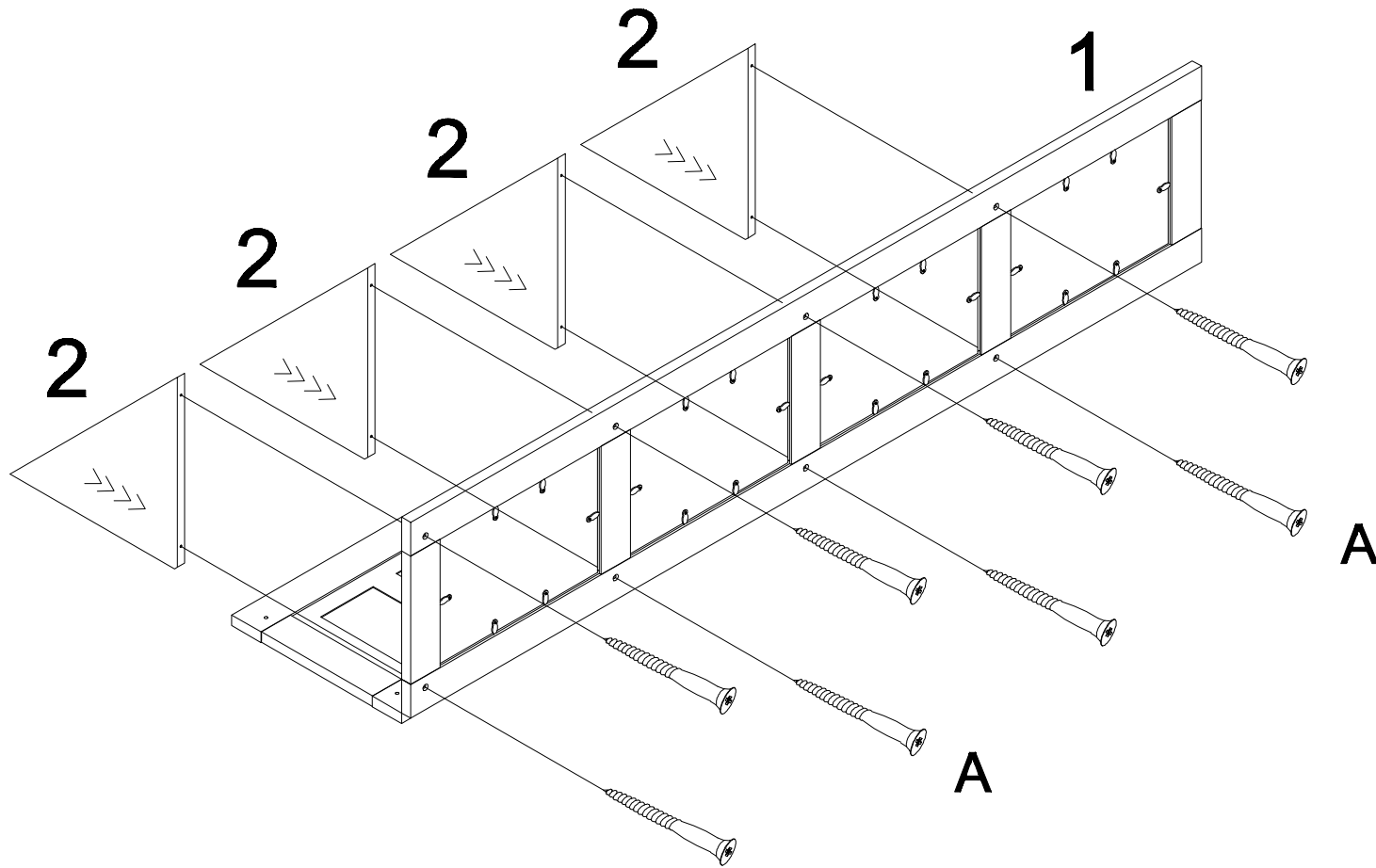
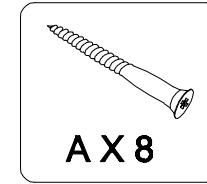
B X 4



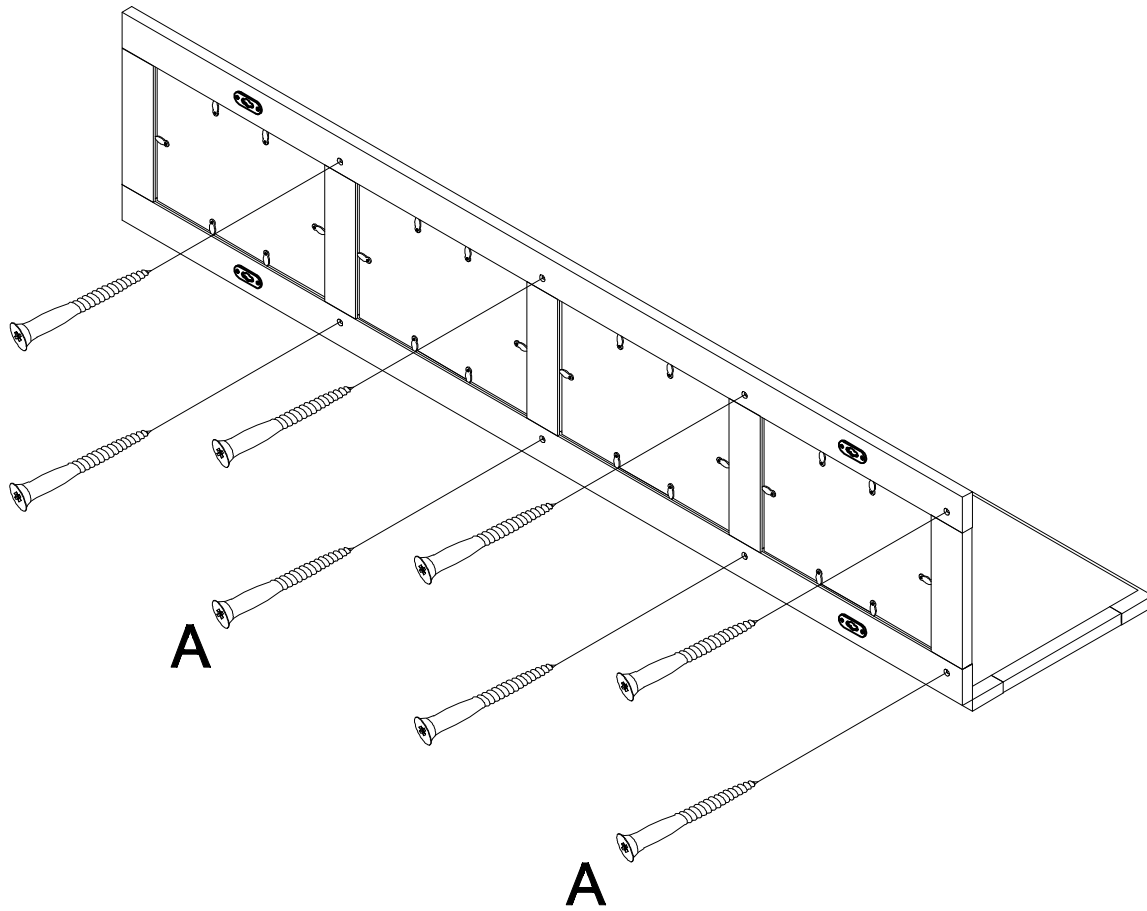
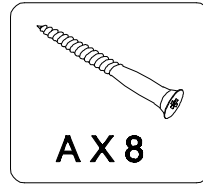
C X 4



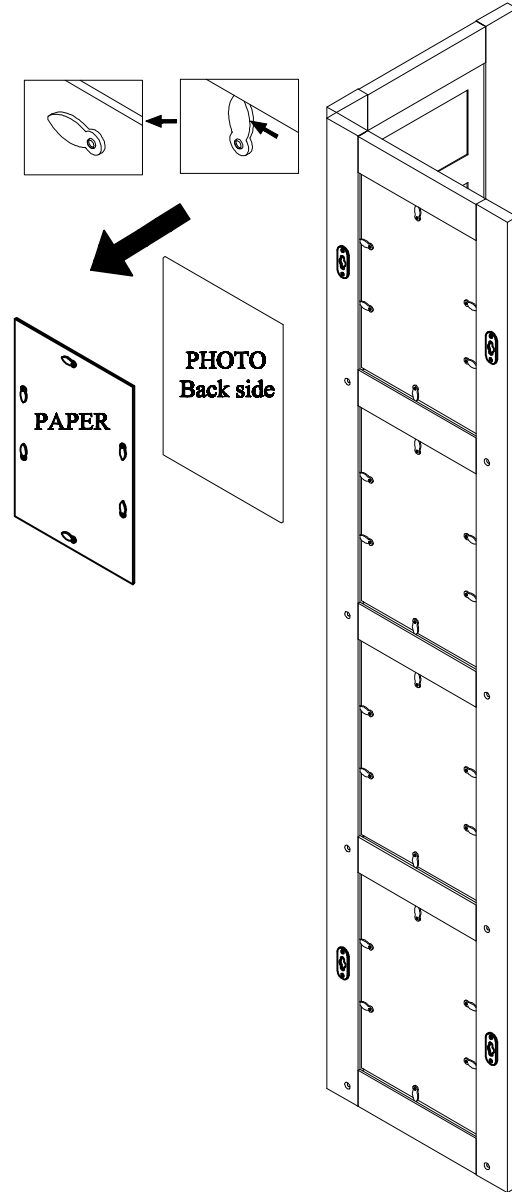
1.



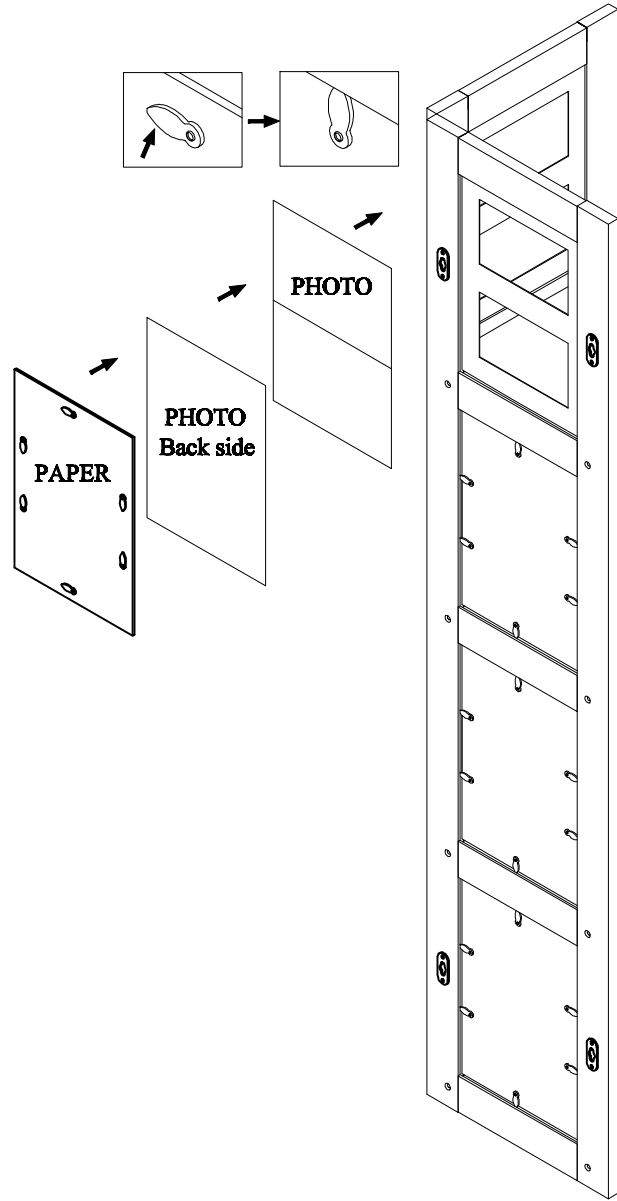
2.



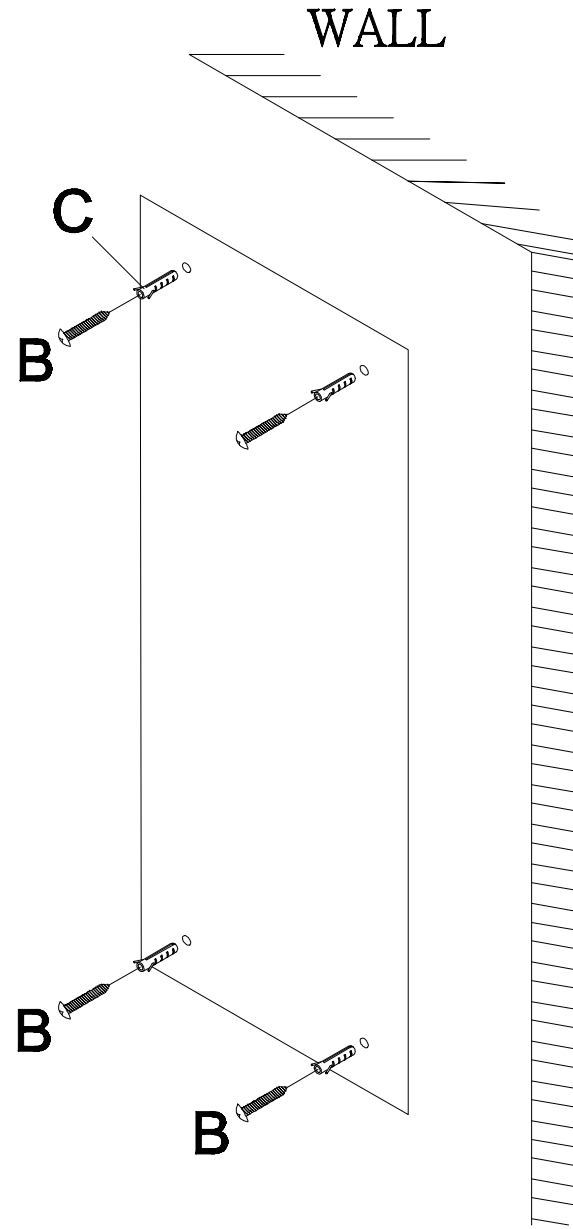
3.



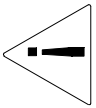
4.



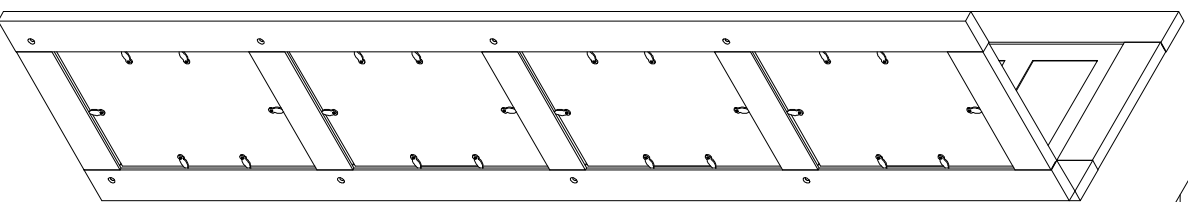
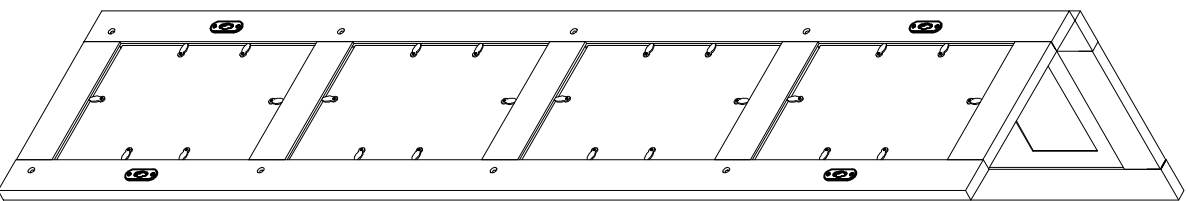
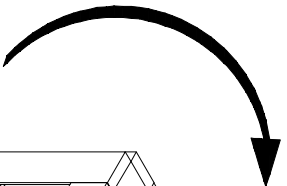
5.



6.



Caution :  
This shelf unit is intended  
only for use with a product  
not weighing more than 11 lbs.  
( 5 kgs ) per shelf.



WALL

