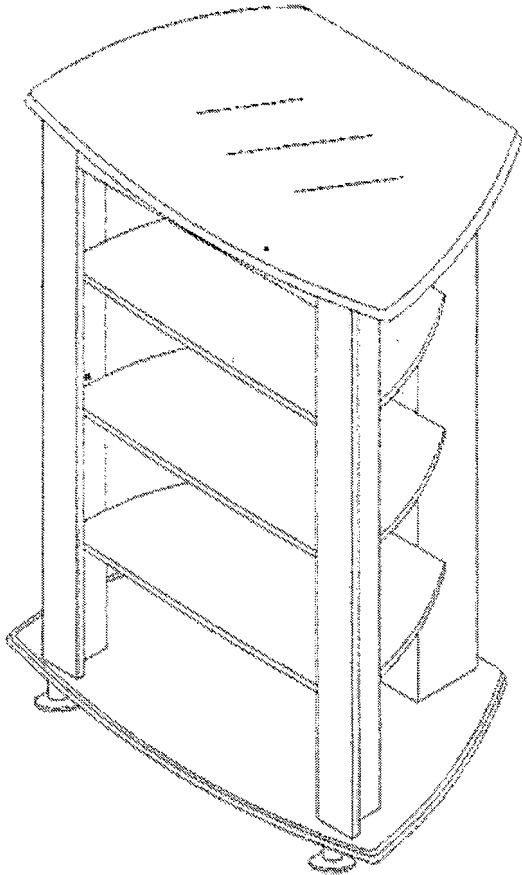


# 4 DC AUDIO STAND

MODEL 64623



## NEED ASSISTANCE ?

Call 4D CONCEPTS directly for parts or assembly assistance.

Individual stores do not stock parts

Call our Toll-free number 5 days a week except holidays:

Monday through Friday 8.00am to 5.00pm

Pacific Standard Time

1-888-310-4DCO or 1-888-310 4326

**IMPORTANT:** Before calling please have the model number and the packing code number ready for our customer service representatives.

You will find the model number printed on the carton label and the packing code printed in black ink on the side of the carton.

Model

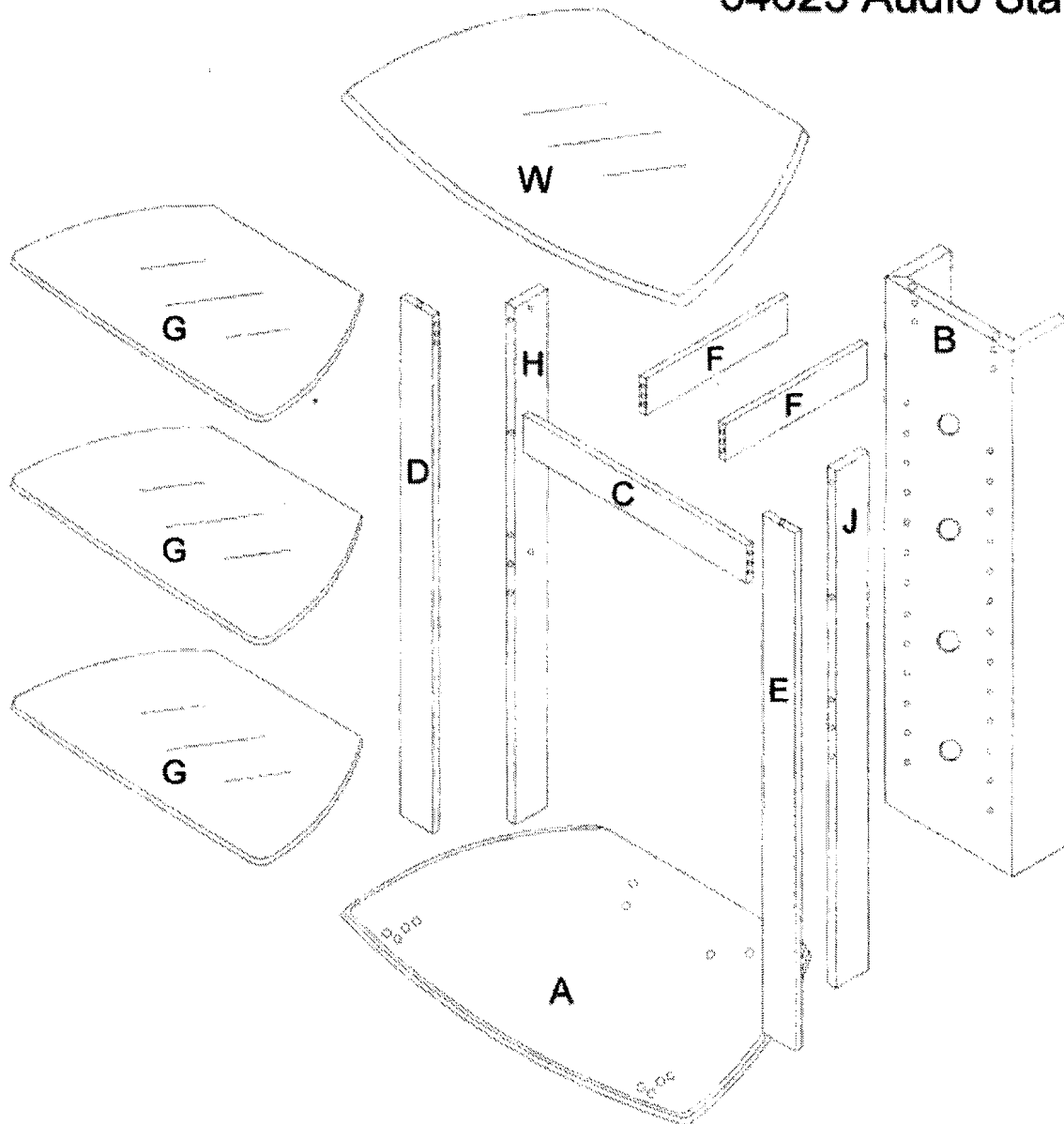
64623

Packing code

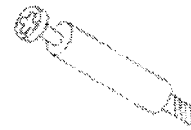
It is important that you retain the model number and the packing code along with the original receipt of purchase for future reference.

Made in China

# 64623 Audio Stand



**KX 8**



**NX 14**  
8 X 35 mm



**RX 4**



**ZX 1**



**LX 8**



**PX 12**  
3.5 X 20 mm



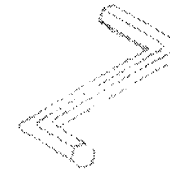
**SX 12**



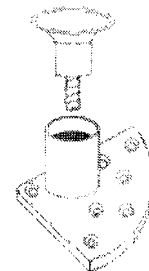
**MX 16**



**QX 1**

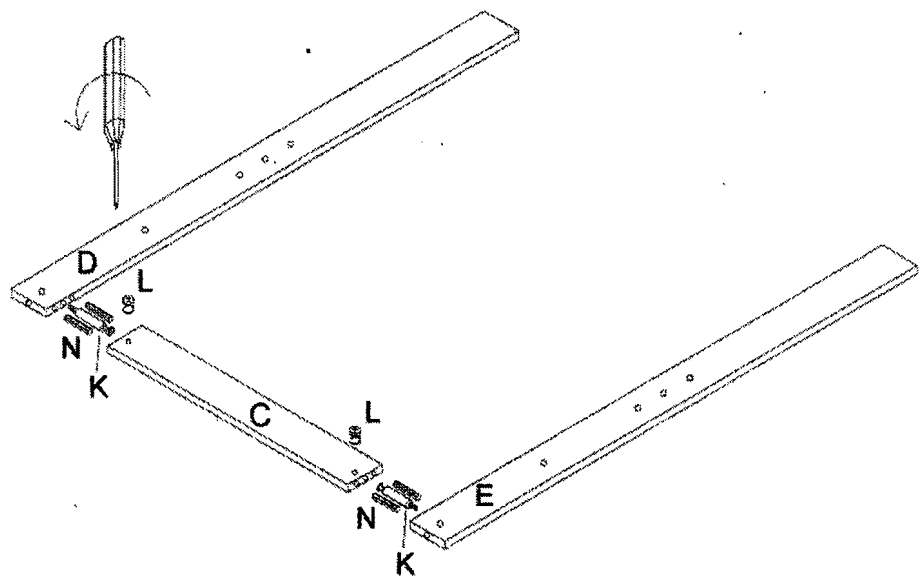
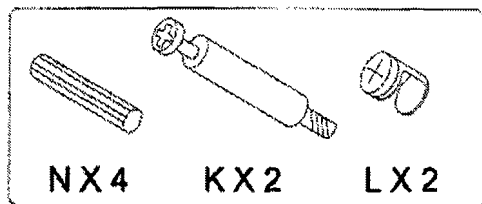


**TX 4**

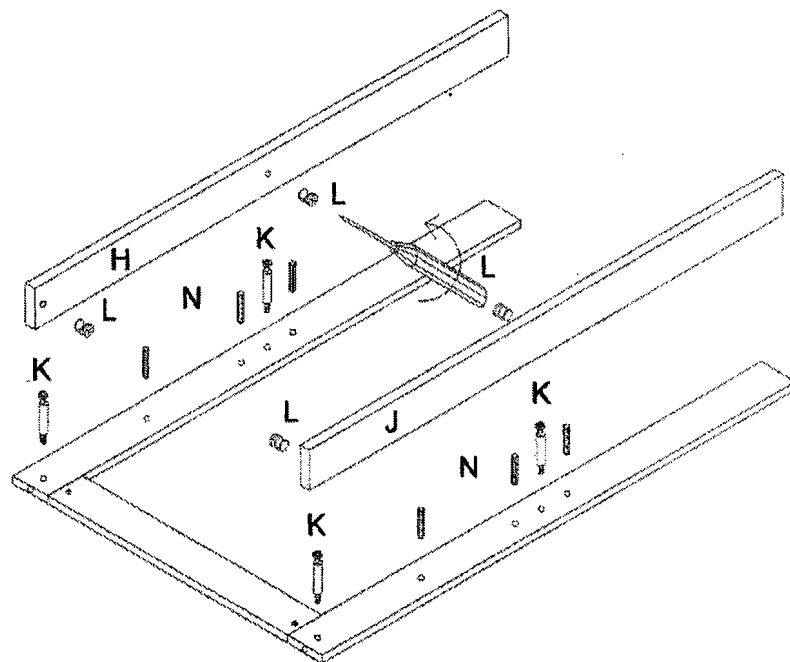
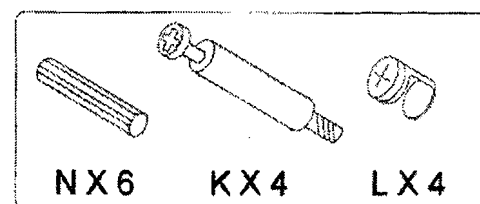


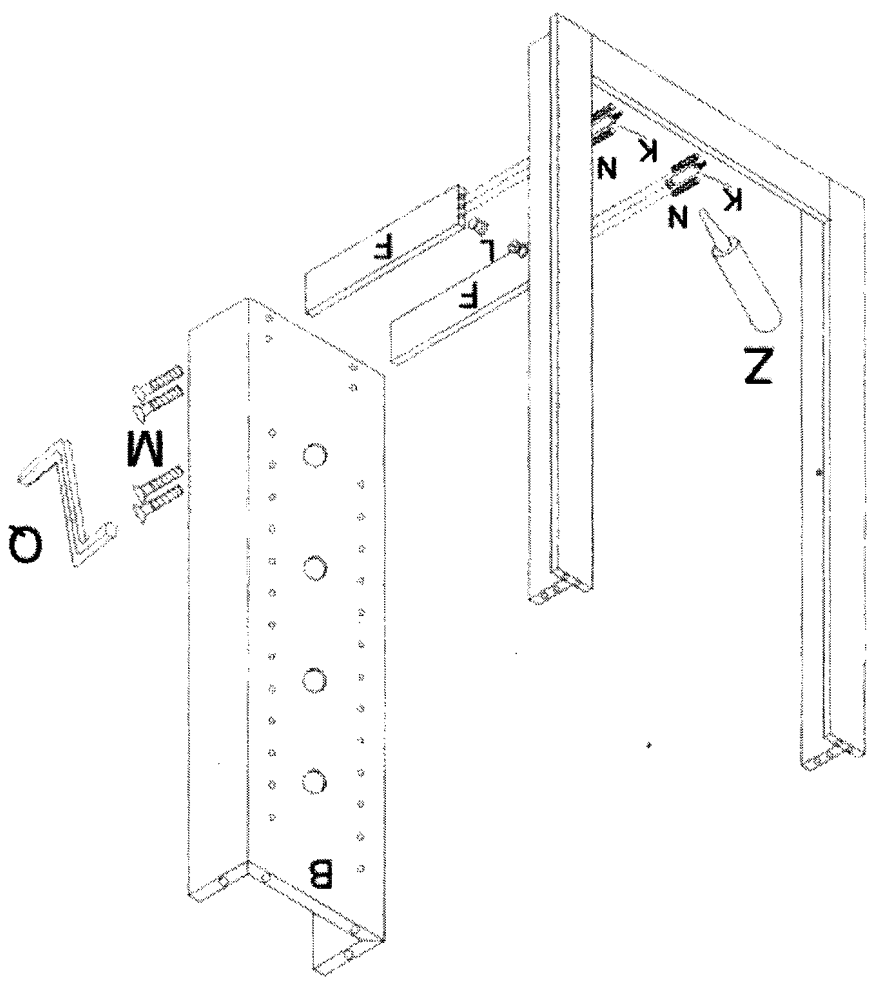
**WALL FIXING**  
X 1 BAG  
N1 X 1

1.



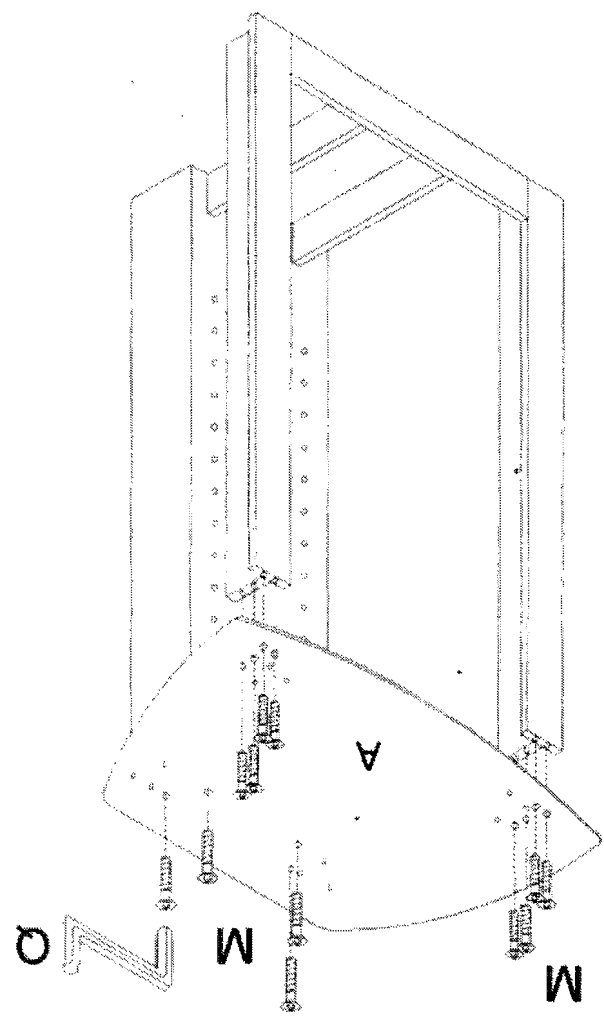
2.





- NX4
- KX2
- LX2
- MX4

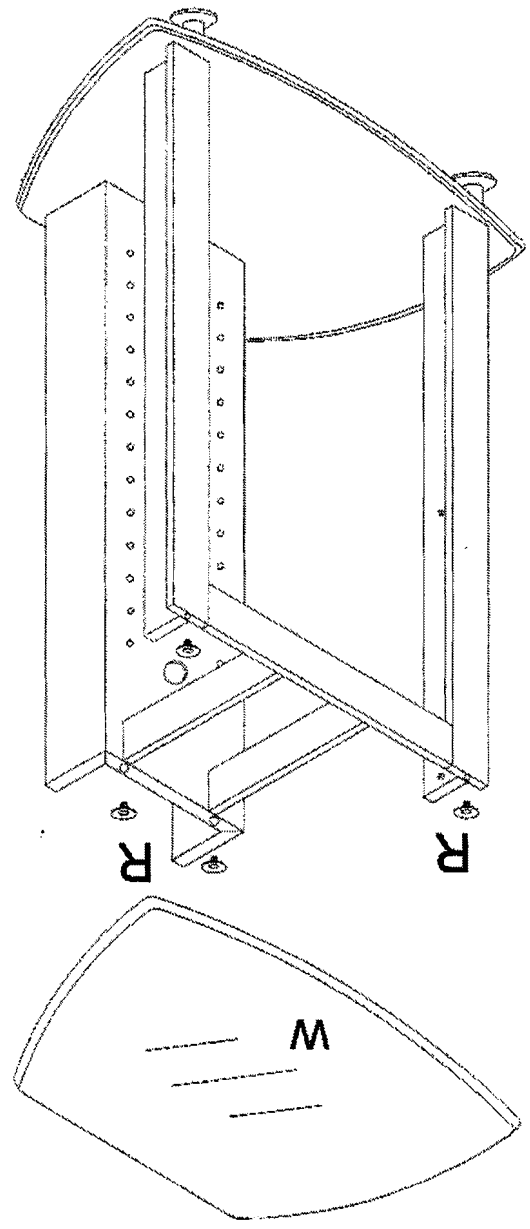
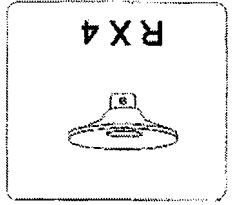
3.



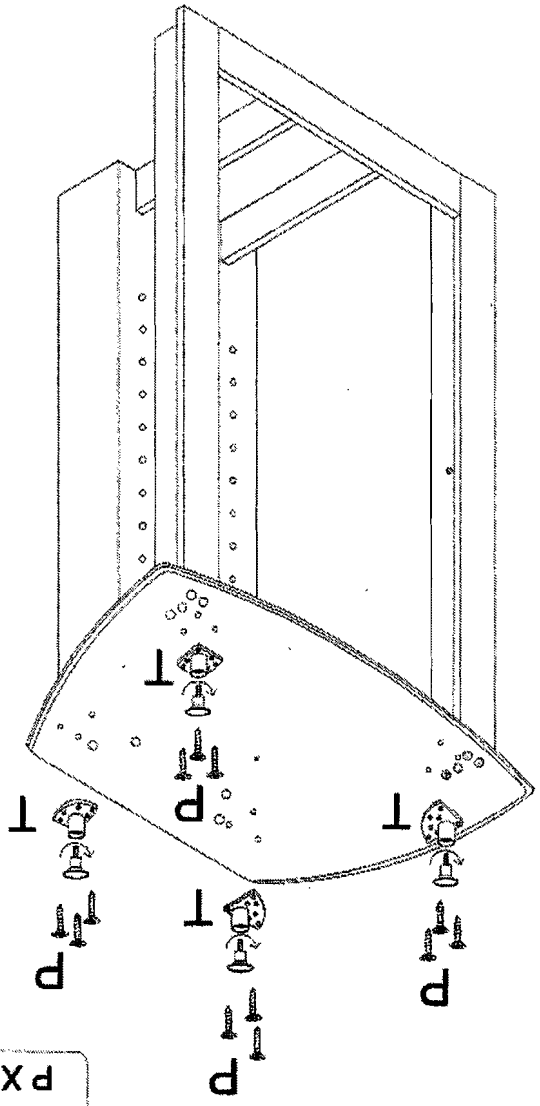
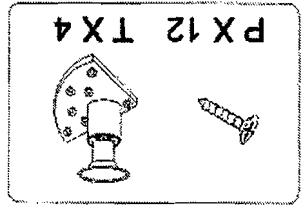
- MX12

4.

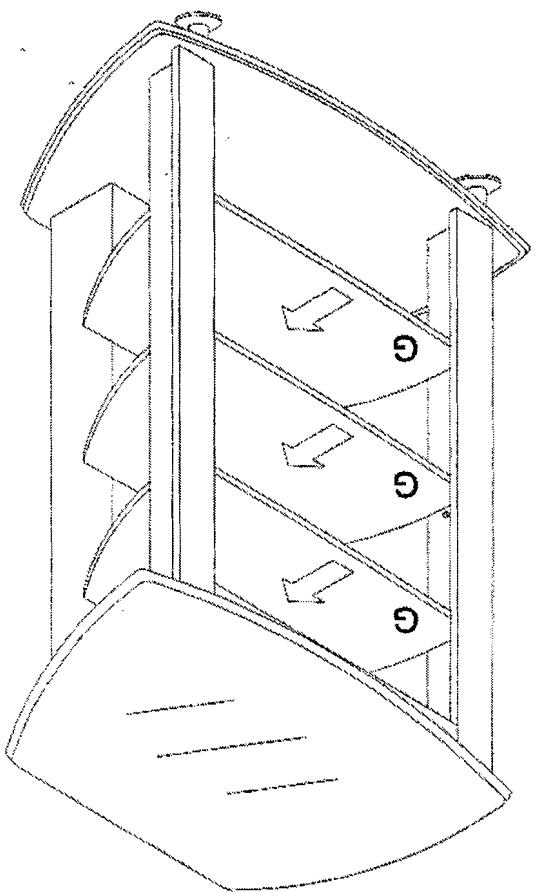
WITH TWO PEOPLE  
STAND UP THE  
UNIT CAREFULLY  
AND PUT INTO  
PLACE !



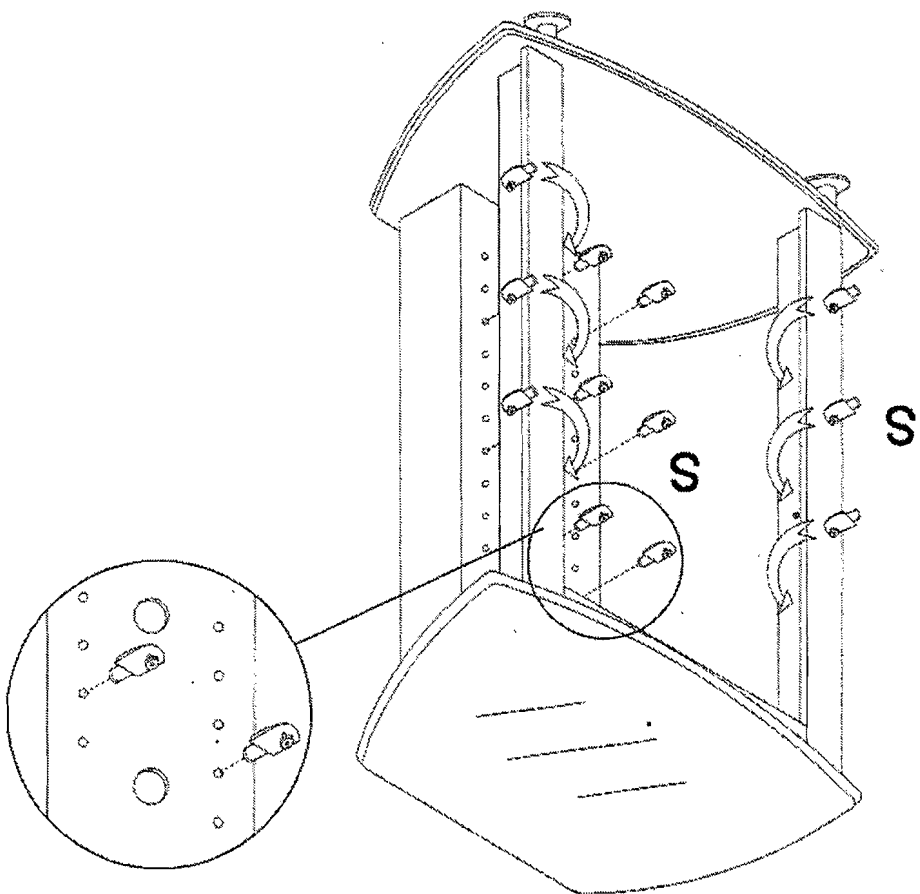
6.



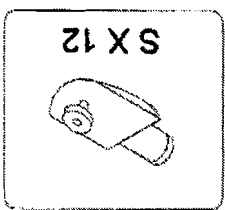
5.



8.



7.



9.

For special reason, especially where young children are in the home, we recommend that the unit is secured to the wall with the Fixing Pack (N1). Using the screw and wall plug provided secure the nylon strap to the wall at a height that is level with the top of the back panel. The strap will be secured to the back of two side panel with the screw provided

