

BodyCraft

X4

Built For Commercial Use Or  
The Discriminating Home Owner



**STATION 1**

ADJUSTABLE FUNCTIONAL  
TRAINING / CABLE ARMS  
HIGH PULLEY

**STATION 2**

ADJUSTABLE DUAL  
CABLE COLUMN

**STATION 3**

ROW / PRESS ARM  
SELF ALIGNING LEG EXTENSION  
MID PULLEY

**STATION 4**

LEG PRESS WITH UP TO  
400LBS RESISTANCE

ALL STATIONS HAVE A 200LB WEIGHT STACK INDEPENDENT OF THE OTHER STATIONS

**SPECIFICATIONS**

**FRAME:** 2" X 3", AND 2" X 2", HEAVY GAUGE STEEL TUBING.

**FINISH:** PLATINUM GRAY MULTI-STAGE ELECTROSTATIC POWDERCOAT PAINT.

**PULLEYS:** 4-1/2" DIAMETER, FIBERGLASS REINFORCED NYLON AND ROTATE ON SEALED BALL BEARING HUB.

**CABLES:** INTERNALLY LUBRICATED, 7 X 19 STRAND CONSTRUCTION, RATED AT 2000 POUND TENSILE STRENGTH.

**UPHOLSTERY:** DOUBLE-STITCHED HEAVY GAUGE VINYL COVERING CONTOURED, EXTREMELY-DENSE FOAM.

**WEIGHT PLATES:** 1-1/4" THICK PRECISION MILLED WITH EZ GLIDE NYLON BUSHINGS.

**ACCESSORIES:** INCLUDES LAT BAR, CURL BAR, 2 SINGLE HANDLES, AND 2 EXERCISE CHARTS.

**IN-HOME WARRANTY:** LIFETIME ON EVERYTHING. WE WILL REPLACE OR REPAIR ANY DEFECT.

**COMMERCIAL WARRANTY:** 10 YEARS FRAME AND WELDS, 2 YEARS REMAINING PARTS.

# 100 Plus exercises!

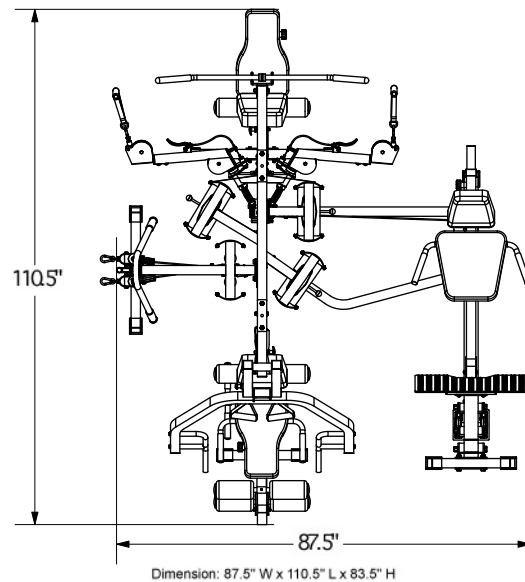
## Extreme Versatility!

The X4 combines every feature found in traditional machines with the unrestricted exercises provided by fully adjustable cable training stations. Literally hundreds of available exercises!



Up to 4 Simultaneous Users

# X4



BodyCraft