

DWG#: 162163

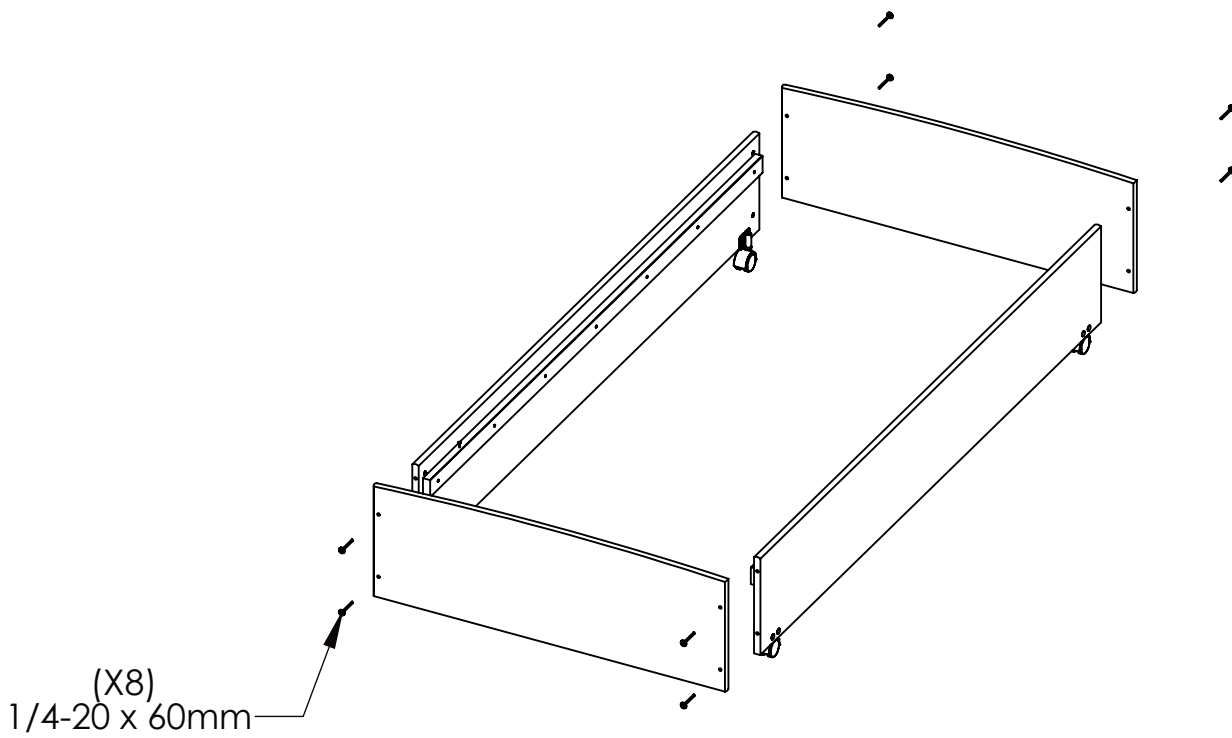
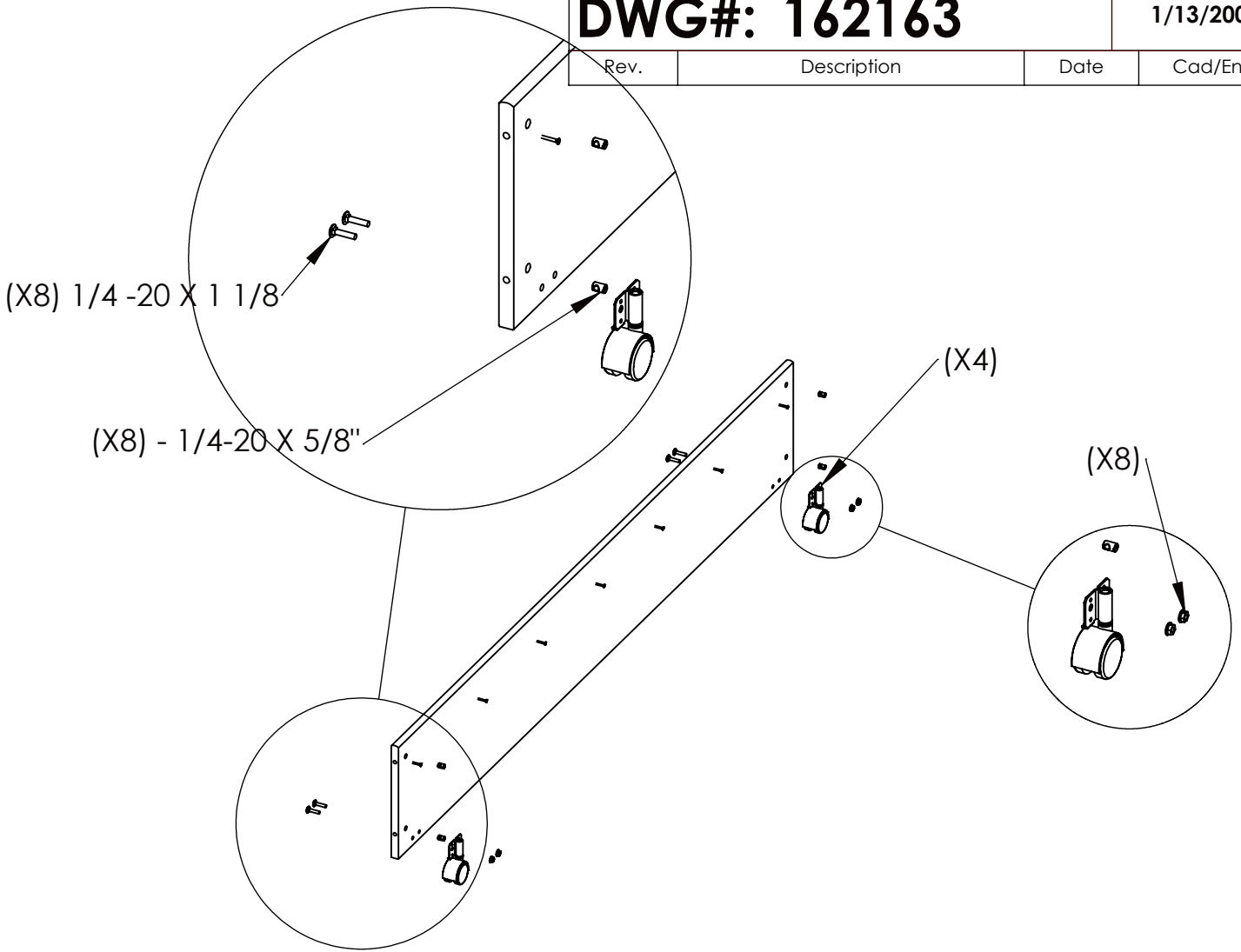
1/13/2009

Rev.

Description

Date

Cad/Eng



(X10) 4 X 1 1/4"

