

### Model MS Super 4E

Serial Number 9000000 and higher

#### Mr.Steam Standard Features

- Stainless steel resevoir
- Industrial, large diameter, serviceable heating element
- Modular “snap-in” connections
- Electronic water-level control system
- Full-port drain valve.
- Limited lifetime steam generator parts warranty

#### Safety Features

- UL recognized electronic controller system
- Built-in, low-voltage 24-volt control
- 60-minute electronic countdown with 75-minute limiting safety back-up
- ASME safety valve

#### Locating and installing the Steam Generator Unit

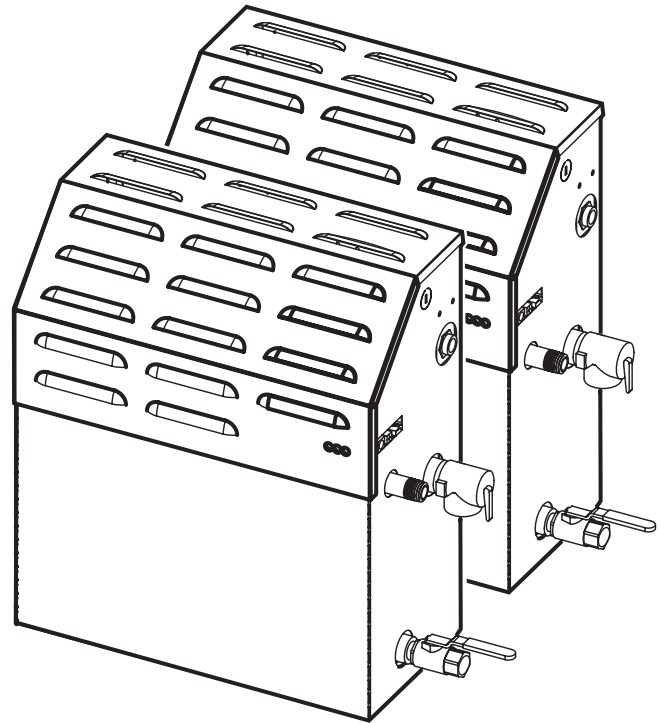
- Select a location as near as practical to the steam room, within 50 feet. Typical locations include: closet, vanity cabinet, heated attic or basement.
- Do not install steambath generator inside the steam room.
- Do not install steambath generator outdoors or wherever environmental conditions may affect the safety and/or performance of the generator.
- Do not install steambath generator or plumbing lines in unheated attic or any locations where water could freeze.
- Do not install steambath generator near flammable or corrosive materials or chemicals or in areas having a high concentration of chlorine.
- Install steambath generator on a solid and level surface or securely mounted to a wall using the keyhole slots provided.
- Install steambath generator in an upright position only.
- Provide a minimum of (12) inches at both ends and top of the steam generator or as required for servicing.

Refer to Mr.Steam Installation, Operation and Maintenance Manual PUR 101289 REV 10.08 or later for complete instructions.

#### Required Plumbing

- Water Supply (3/8" NPT)**     **Steam Outlet (1/2" NPT)**
- Safety Valve (3/4" NPT)**     **Drain (1/2" NPT)**
- Steam Head (1/2" NPT)**

- Locate steam head 6 – 12 inches above floor.
- For tub/shower enclosures, install 6 inches above tub top edge.
- Consult with supplier of acrylic, fiberglass and other non-heat resistant enclosures for recommended steamhead location. An acrylic shield is available for these installations (part number 103938).



#### Electrical

All electrical wiring to be installed by a qualified licensed electrician in accordance with National Electrical Code and local electrical code.

##### Power Wiring

1. Check power voltage. Use 240V rated unit when supply is greater than 208V. (Most homes have 240V, 1PH service). Use 208V rated unit for 208V power.
2. Use minimum 90° C/300V rated insulated copper conductors only, type THHN or equal sized in accordance with National Electrical Code and local electrical code for the Amps in Ampere Chart. If allowed by code, NM cable may require a larger wire size than as listed on the chart.
3. Connect suitably sized equipment grounding wire to ground terminal provided.
4. Install a separate circuit breaker between supply and unit. Provide a power supply disconnect within sight of the steam generator or one that is capable of being locked in the open position.
5. For single phase units, use two-wire supply source and equipment grounding wire. Neutral (white) wire is not required.

AMPERE CHART					
MODEL NO.	MAX ROOM VOL. CU.FT.	KW	VOLTS 1 PH†	TOTAL REQUIRED AMPS	WIRE SIZE (AWG)††
MS Super 4E*	875	20	208	2 x 49 = 98 amps total	6
			240	2 x 42 = 84 amps total	8

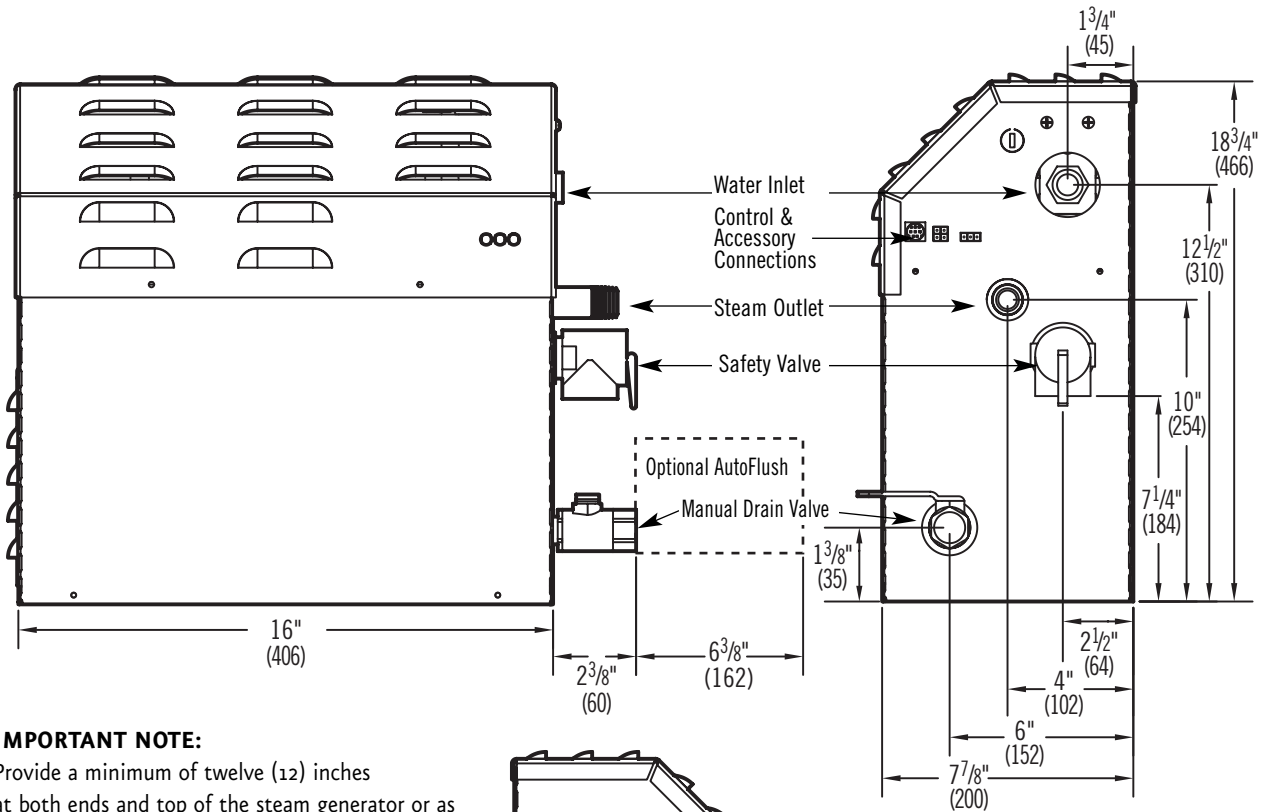
† All specifications shown are for 208V and 240V, single phase. Consult factory for other voltage specifications.

†† See power wiring, note 2 above.

\* MS Super 4E includes (2) MS Super 1E units

Generator Diagram

Model MS Super 4E



**IMPORTANT NOTE:**

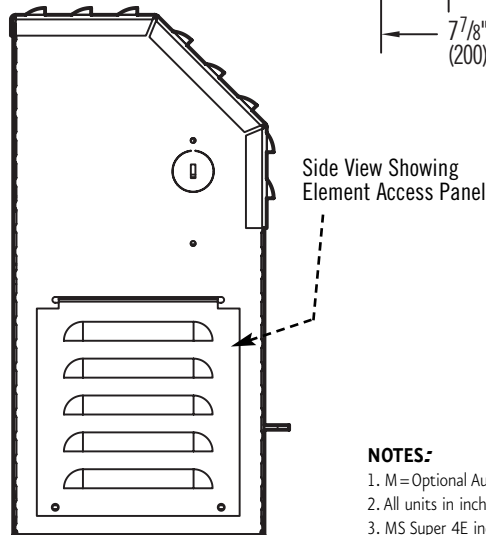
Provide a minimum of twelve (12) inches at both ends and top of the steam generator or as required for servicing. Alternately, provide unions as required to facilitate installation and disconnection of the steam generator.

**IMPORTANT NOTE:**

The minimum clearance from combustible surfaces is zero all around.

**IMPORTANT NOTE:**

Do not rough in plumbing and electrical services based in the dimensional information provided. Drawings are not to scale.



**NOTES:-**

1. M=Optional AutoFlush
2. All units in inches (MM)
3. MS Super 4E includes (2) MS Super 1E units

**TO AVOID EQUIPMENT DAMAGE DO NOT CONNECT POWER SUPPLY DIRECTLY TO HEATING ELEMENTS !!!**

**NOTE: FOR ILLUSTRATIVE PURPOSES ONLY.**

**IMPORTANT: See Mr.Steam® Installation, Operation and Maintenance Manual, PUR 101289, for details.**

**Click here to download this manual:**

<http://www.mrsteam.com/support/downloads.html>