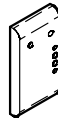
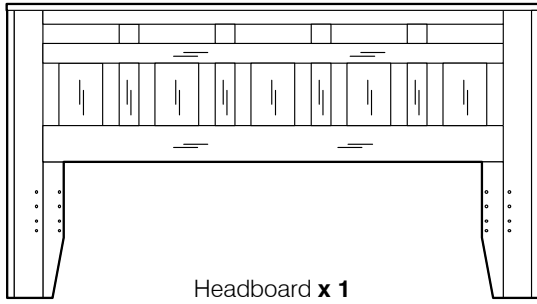


1A Parts in Box 1:



Wood Block
(Left Hand) x 1



Wood Block
(Right Hand) x 1

Hardware:



Barrel Nuts x 4



40mm Bolts x 4



80mm Bolts x 4

1B Parts in Box 2:



Hardware:



Wood Buttons x 4

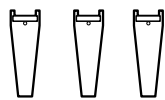
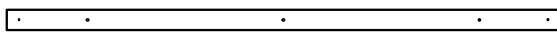
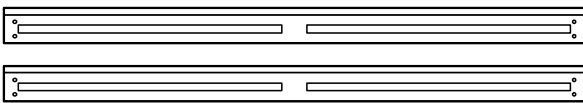


Barrel Nuts x 4



100mm Bolts x 4

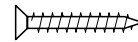
1C Parts in Box 3:



Hardware:



60mm Bolts
x 3



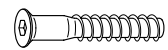
30mm Wood Screws
x 16



Wooden Dowels
x 16

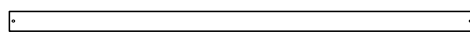
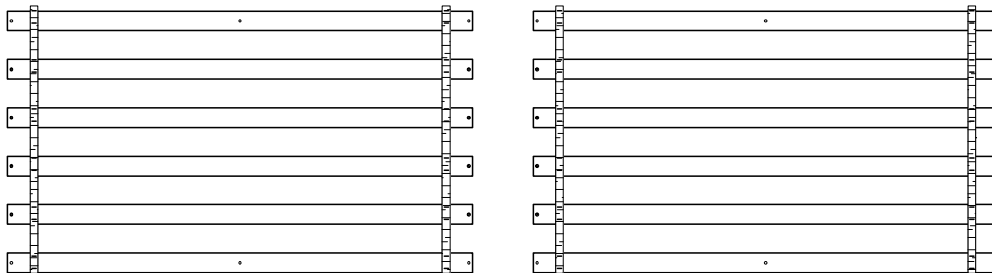


Barrel Nuts
x 3



40mm Threaded Wood Bolts
x 10
(x 12 for C.King Only)

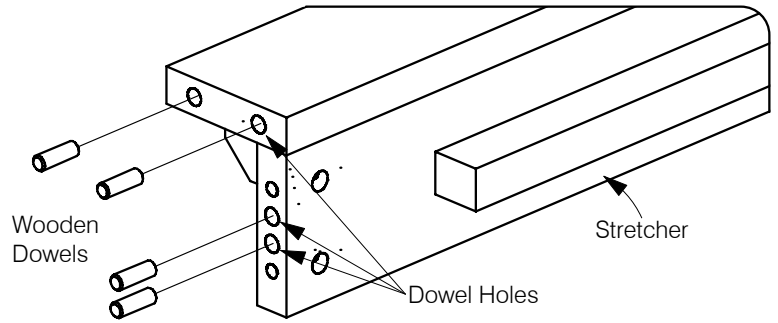
1D Parts in Box 4:



Extra Parts for C.King Only: Single Slat x 1

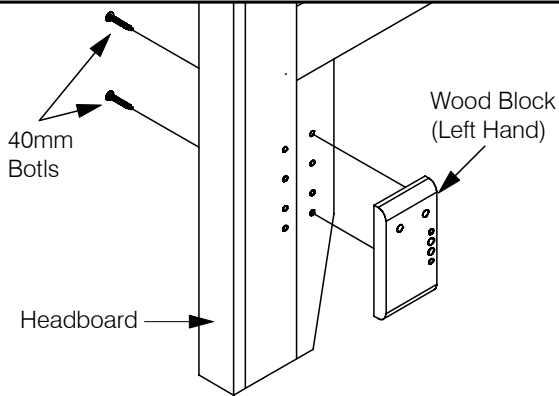
2A Fit Wood Dowels to the Stretchers:

Tap the Wooden Dowels all the way into the Dowel holes at the ends of the Stretchers.



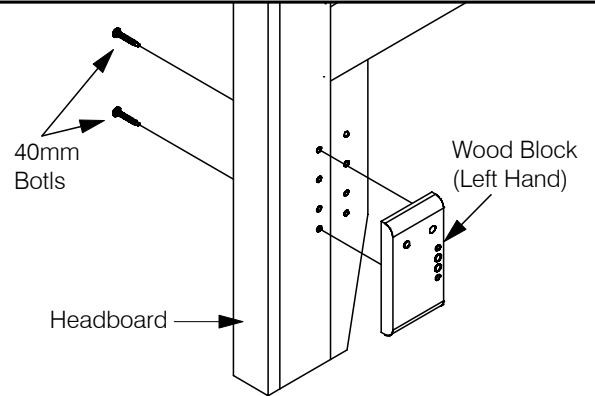
2B Bolt the Wood Blocks to the Headboard.

Full / California King Assembly.



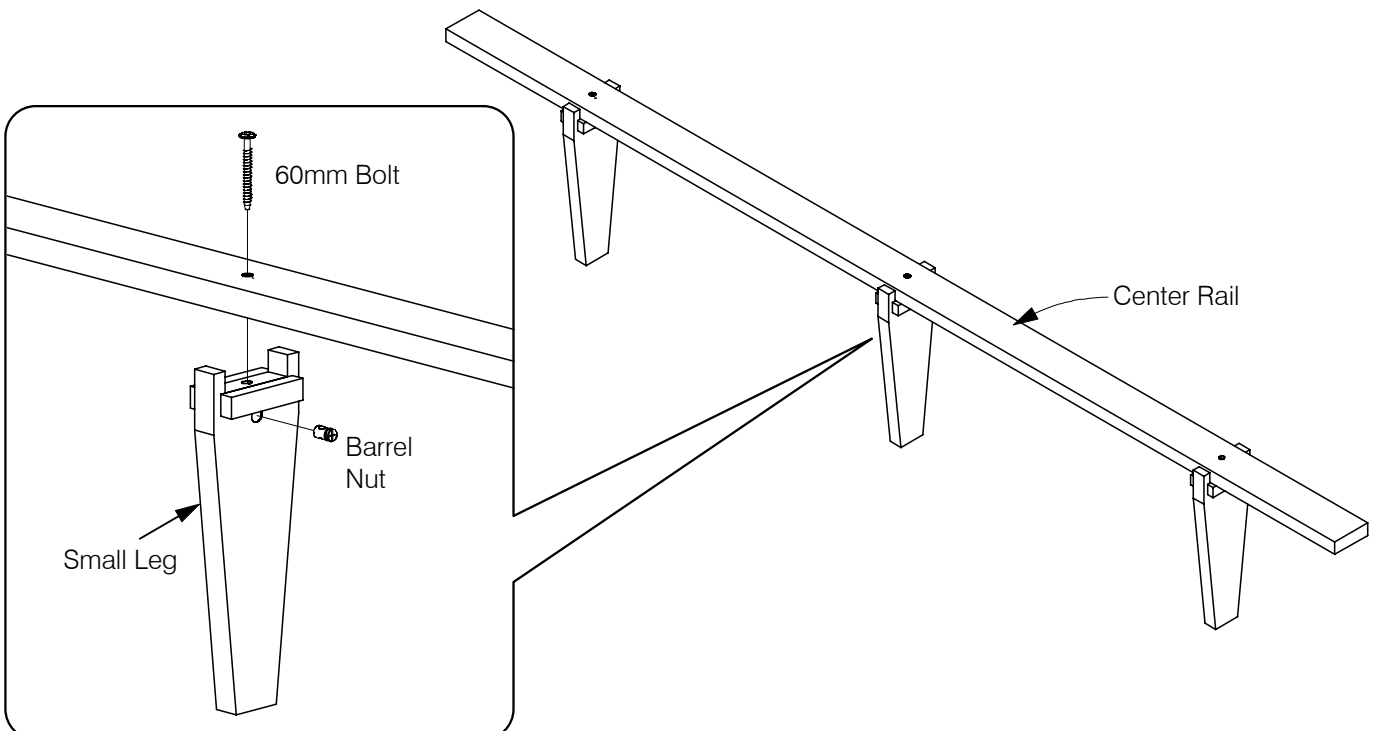
Bolt the Wood Blocks using the Inside Holes.

Queen / Eastern King Assembly.



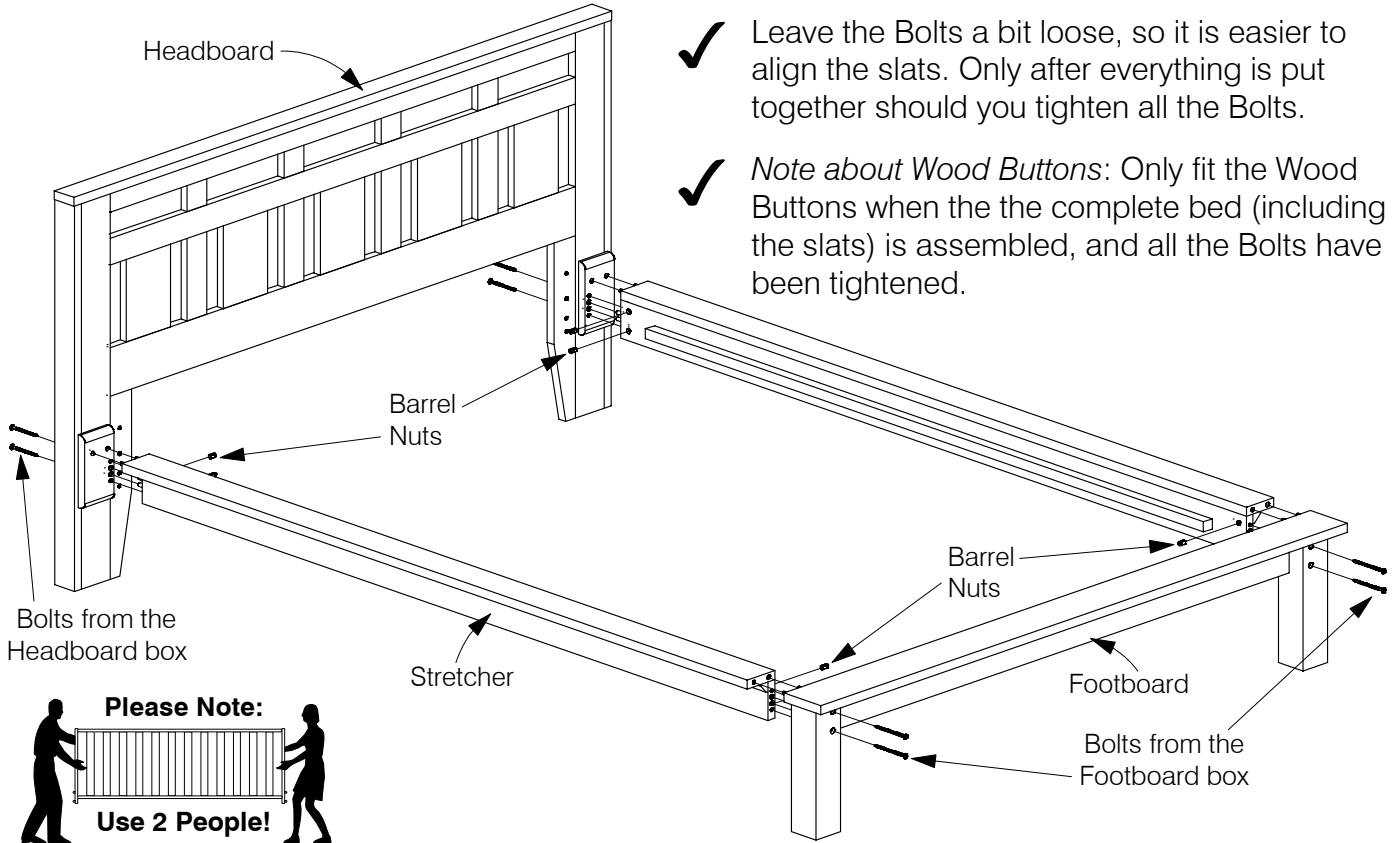
Bolt the Wood Blocks using the Outside Holes.

2C Fit the Small Legs to the Center Rail.



3A Attach the Stretchers to the Headboard and Footboard.

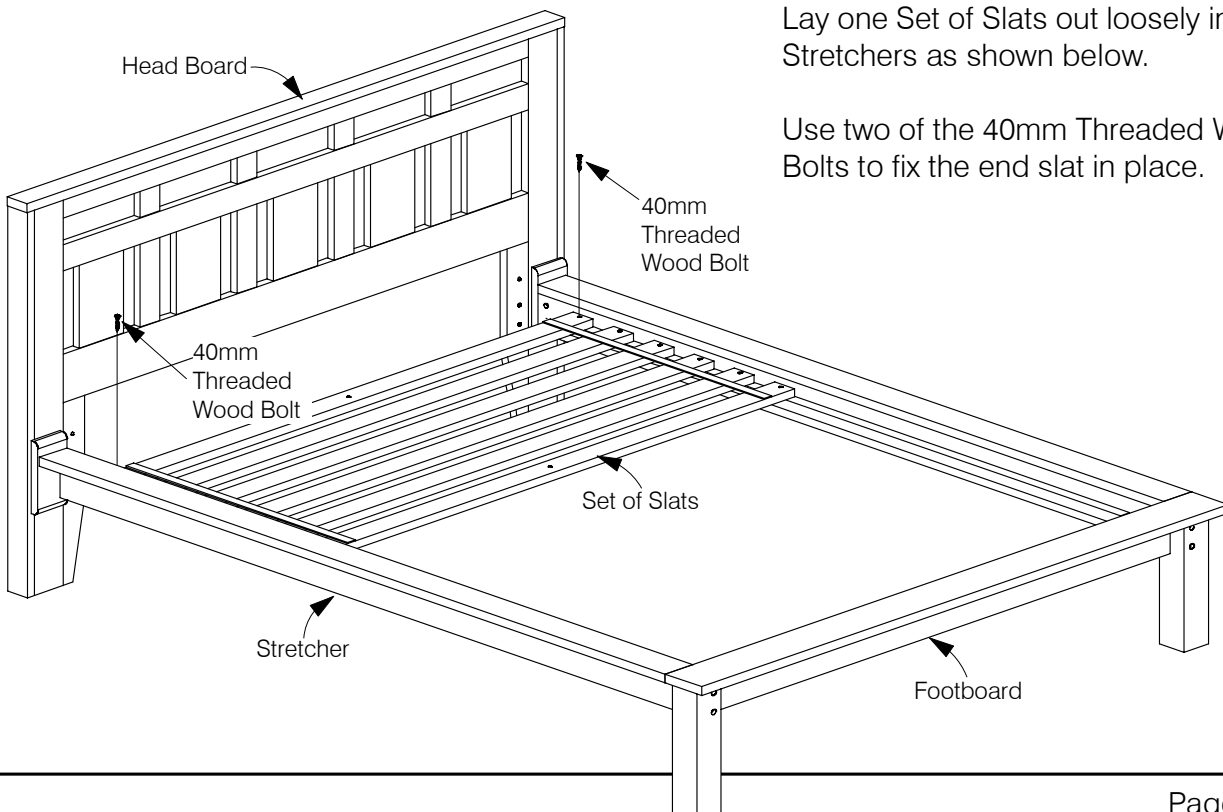
- ✓ The Headboard and Footboard are packed in separate Boxes with Bolts and Wood Buttons.
- ✓ Leave the Bolts a bit loose, so it is easier to align the slats. Only after everything is put together should you tighten all the Bolts.
- ✓ *Note about Wood Buttons:* Only fit the Wood Buttons when the complete bed (including the slats) is assembled, and all the Bolts have been tightened.



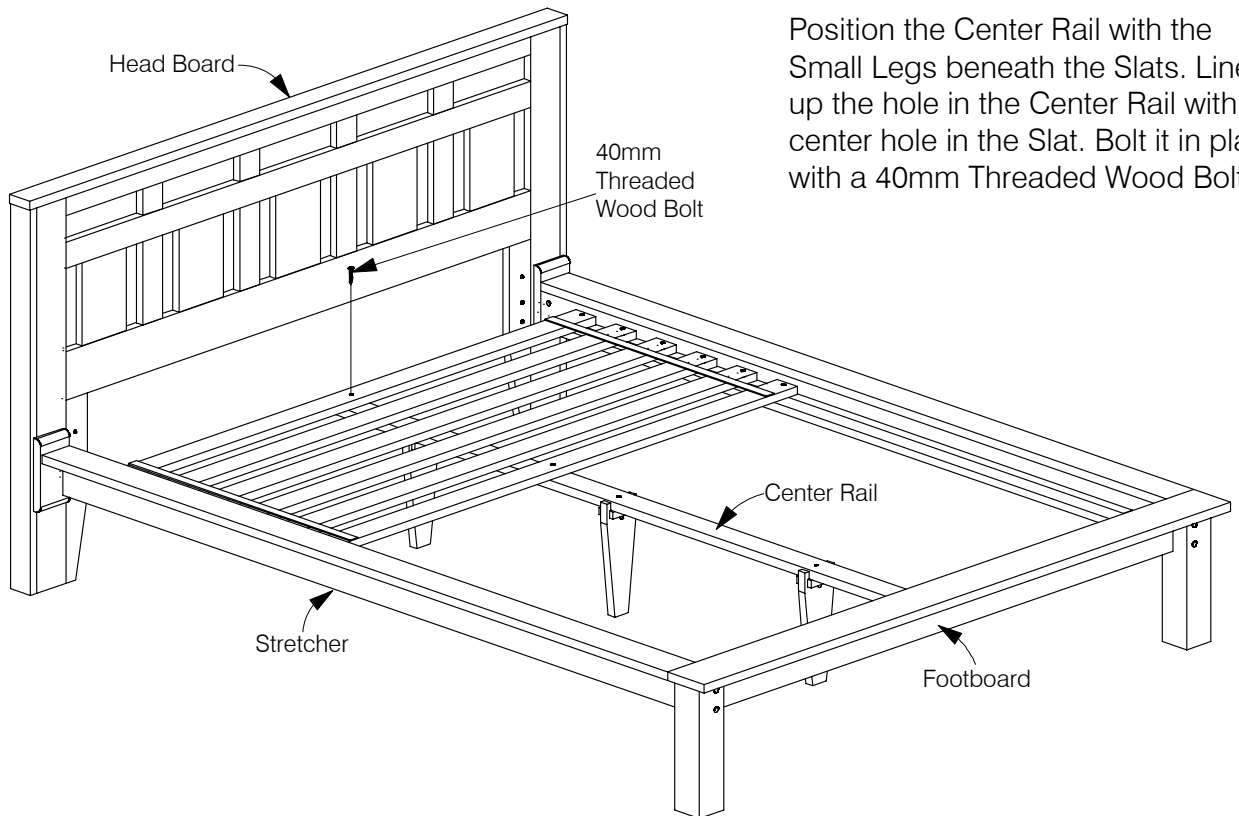
3B Fit one Set of Slats between the Stretchers.

Lay one Set of Slats out loosely inside the Stretchers as shown below.

Use two of the 40mm Threaded Wood Bolts to fix the end slat in place.

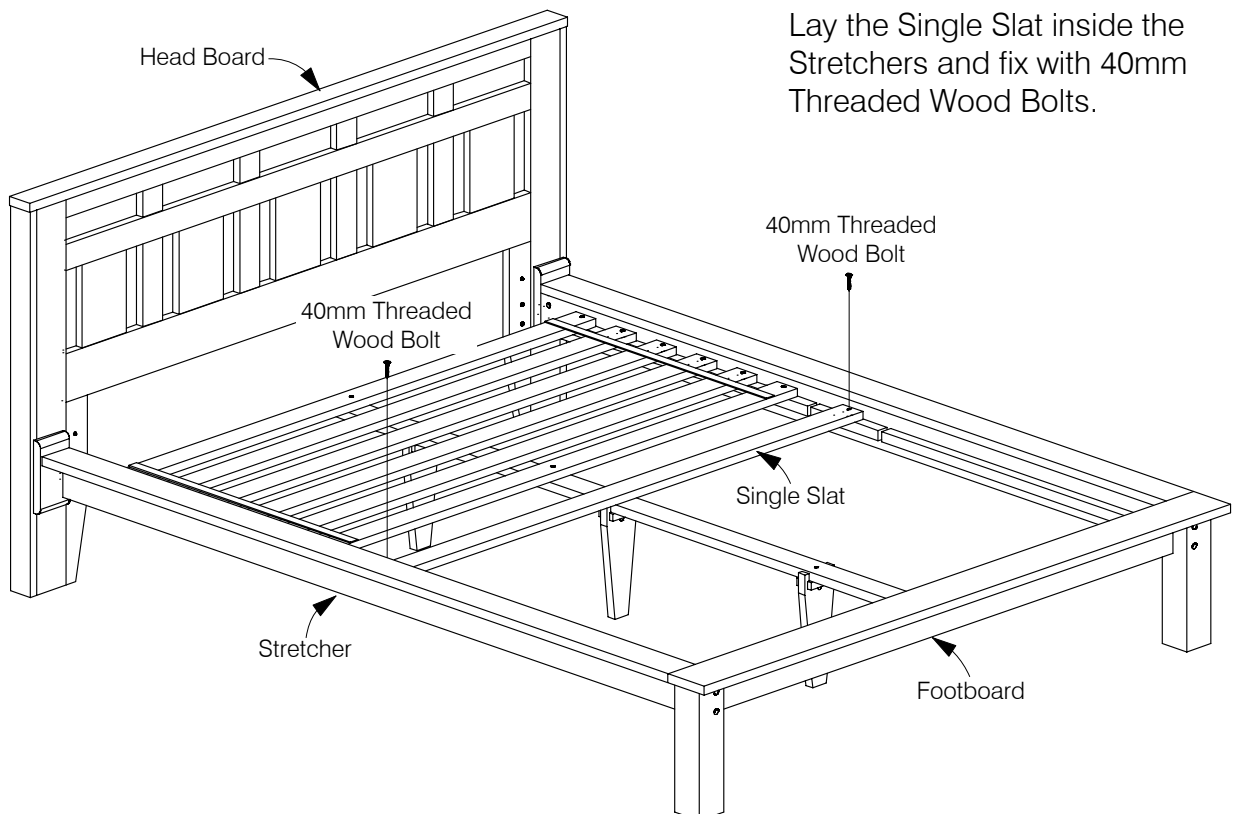


4A Fit the Center Rail.



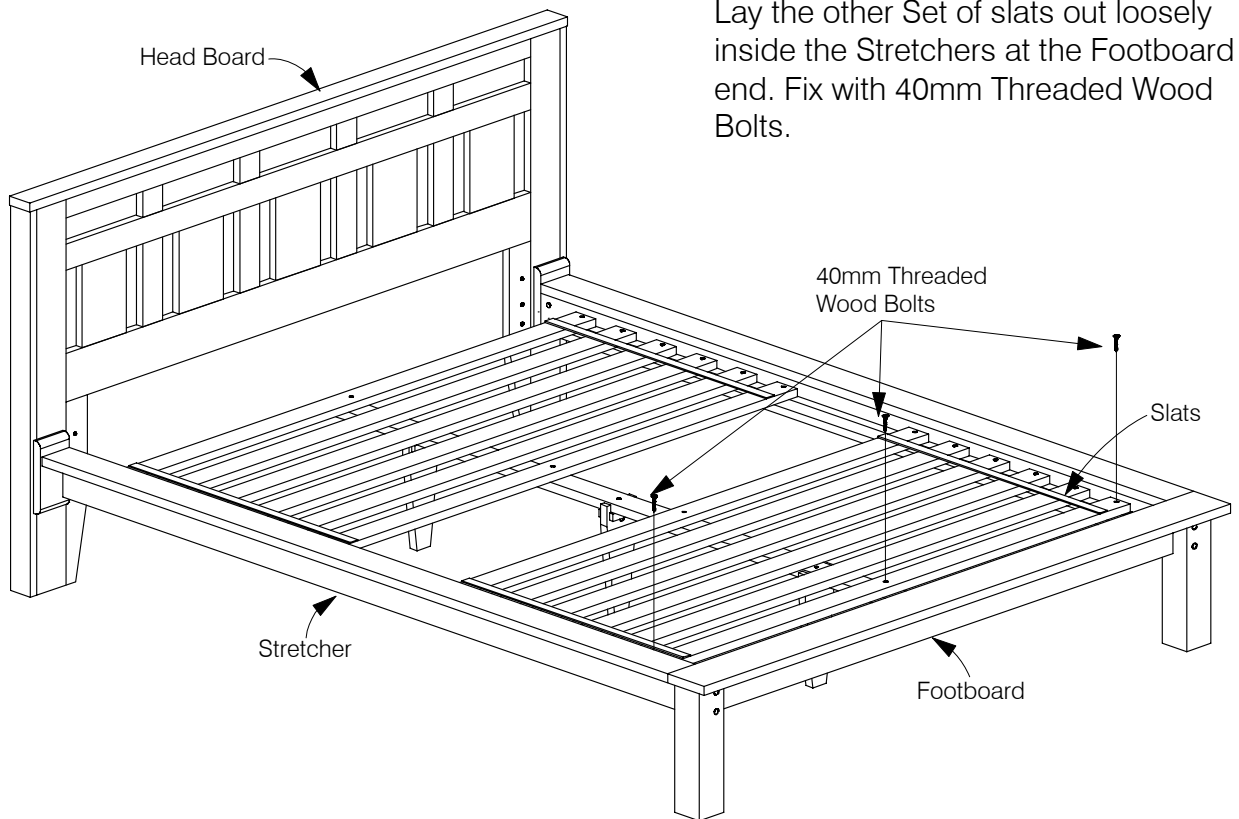
Position the Center Rail with the Small Legs beneath the Slats. Line up the hole in the Center Rail with the center hole in the Slat. Bolt it in place with a 40mm Threaded Wood Bolt.

4B C.King Only: Fit the Single Slat between the Stretchers.



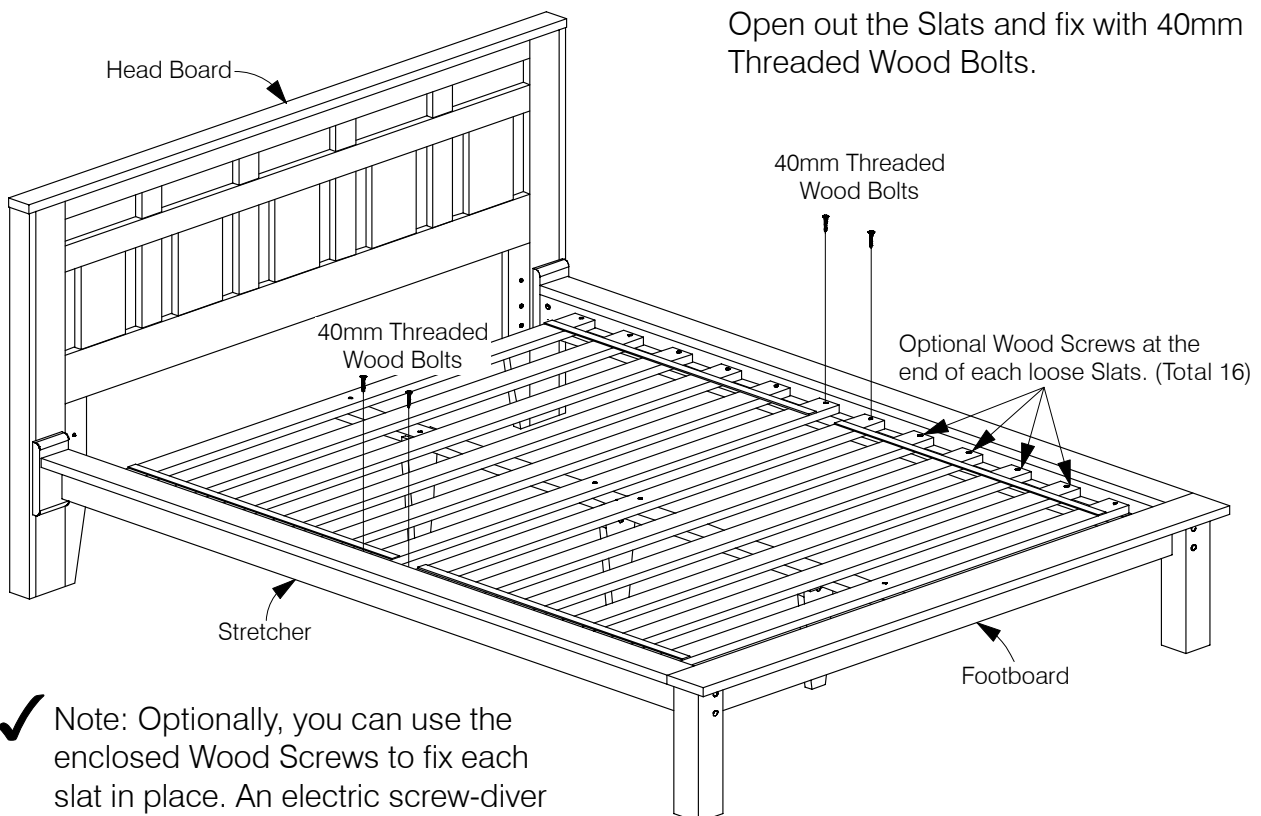
Lay the Single Slat inside the Stretchers and fix with 40mm Threaded Wood Bolts.

5A Fit the other Set of Slats between the Stretchers.



Lay the other Set of slats out loosely inside the Stretchers at the Footboard end. Fix with 40mm Threaded Wood Bolts.

5B Fix the Slats in place.



Open out the Slats and fix with 40mm Threaded Wood Bolts.

✓ Note: Optionally, you can use the enclosed Wood Screws to fix each slat in place. An electric screw-diver will make this much easier.