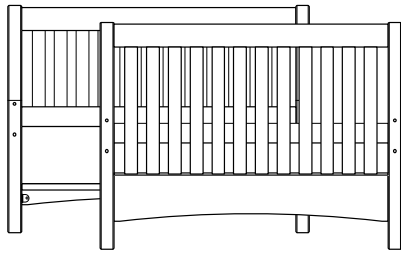
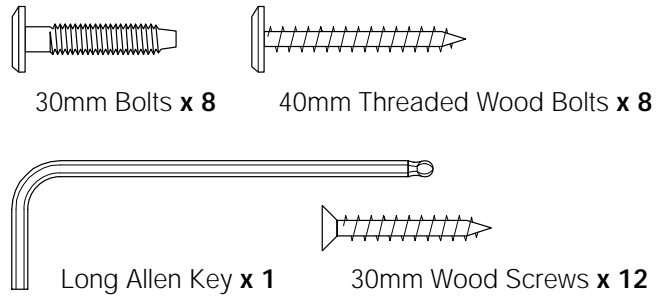


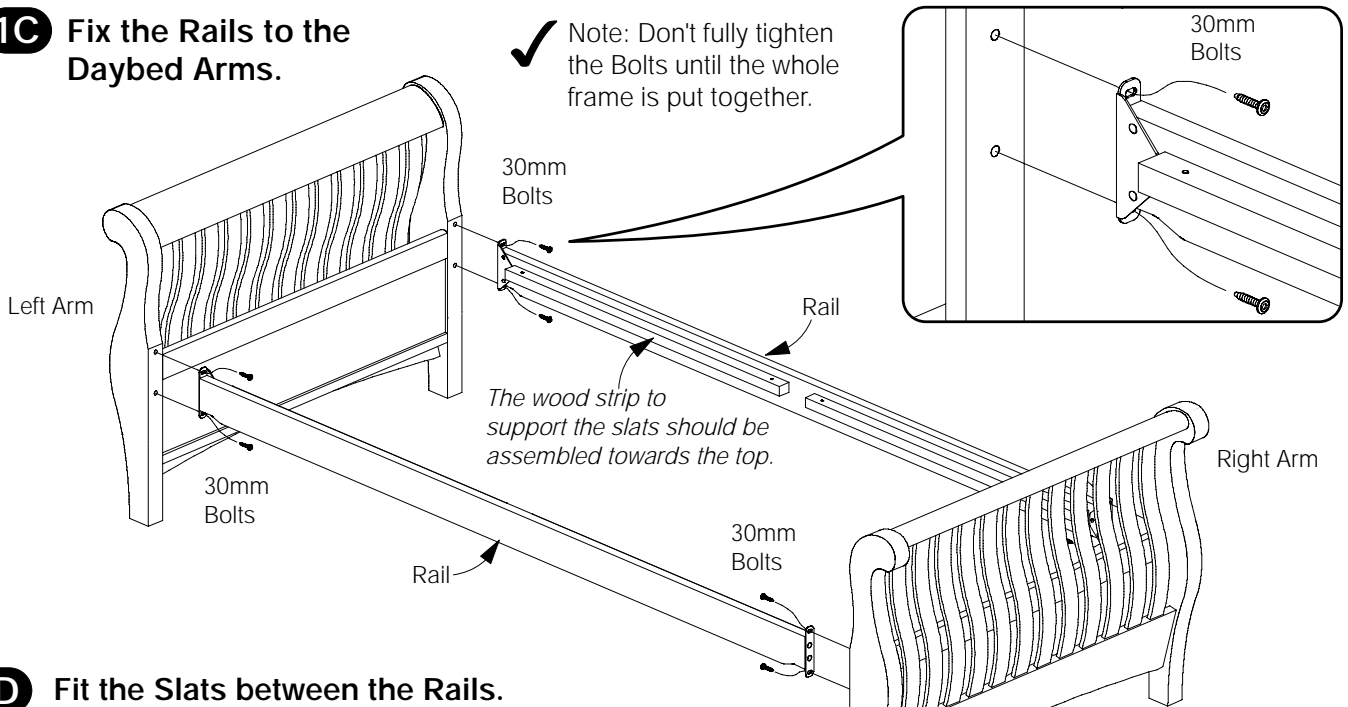
**1A** One pair of Daybed Arms in this Box:



**1B** Hardware in this Box.



**1C** Fix the Rails to the Daybed Arms.



**1D** Fit the Slats between the Rails.

Lay the slats out between the Rails. The end slats of each set is fixed with 40mm Threaded Wood Bolts.

