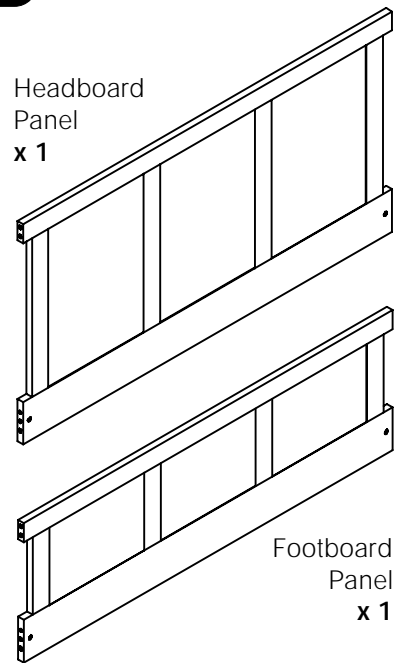
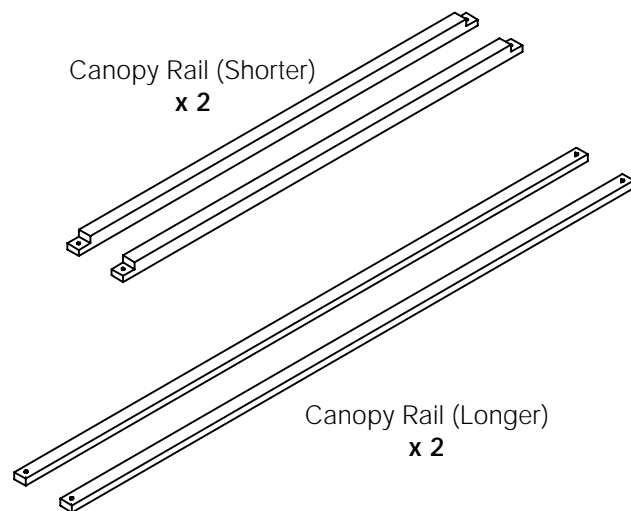


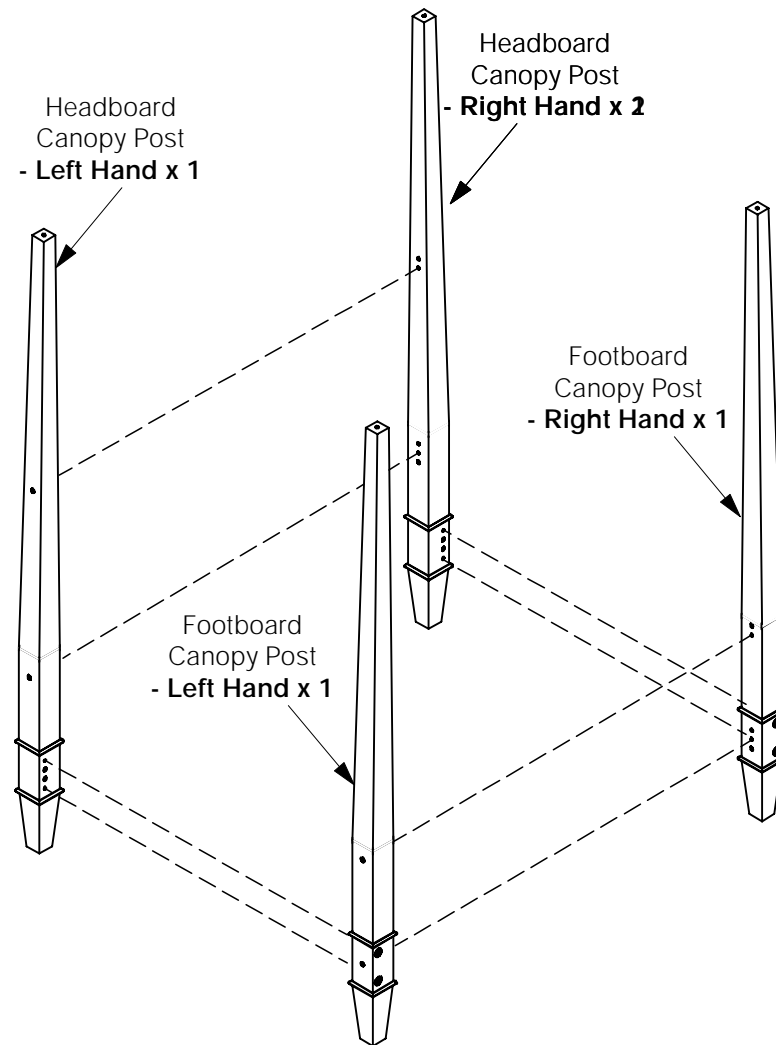
**1A** Parts in Box 1A



**1B** Parts in Box 1B



**1C** Parts in Box 1C



**1D** Hardware in this Box



110mm Bolts (JCBC) x 8



Wood Buttons (Small) x 8



Wood Dowels x12



Long Allen Key x 1



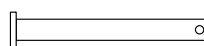
130mm Bolts (JCBB) x 8



Wood Buttons (Big) x 8



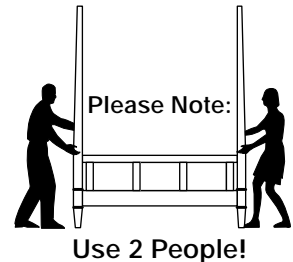
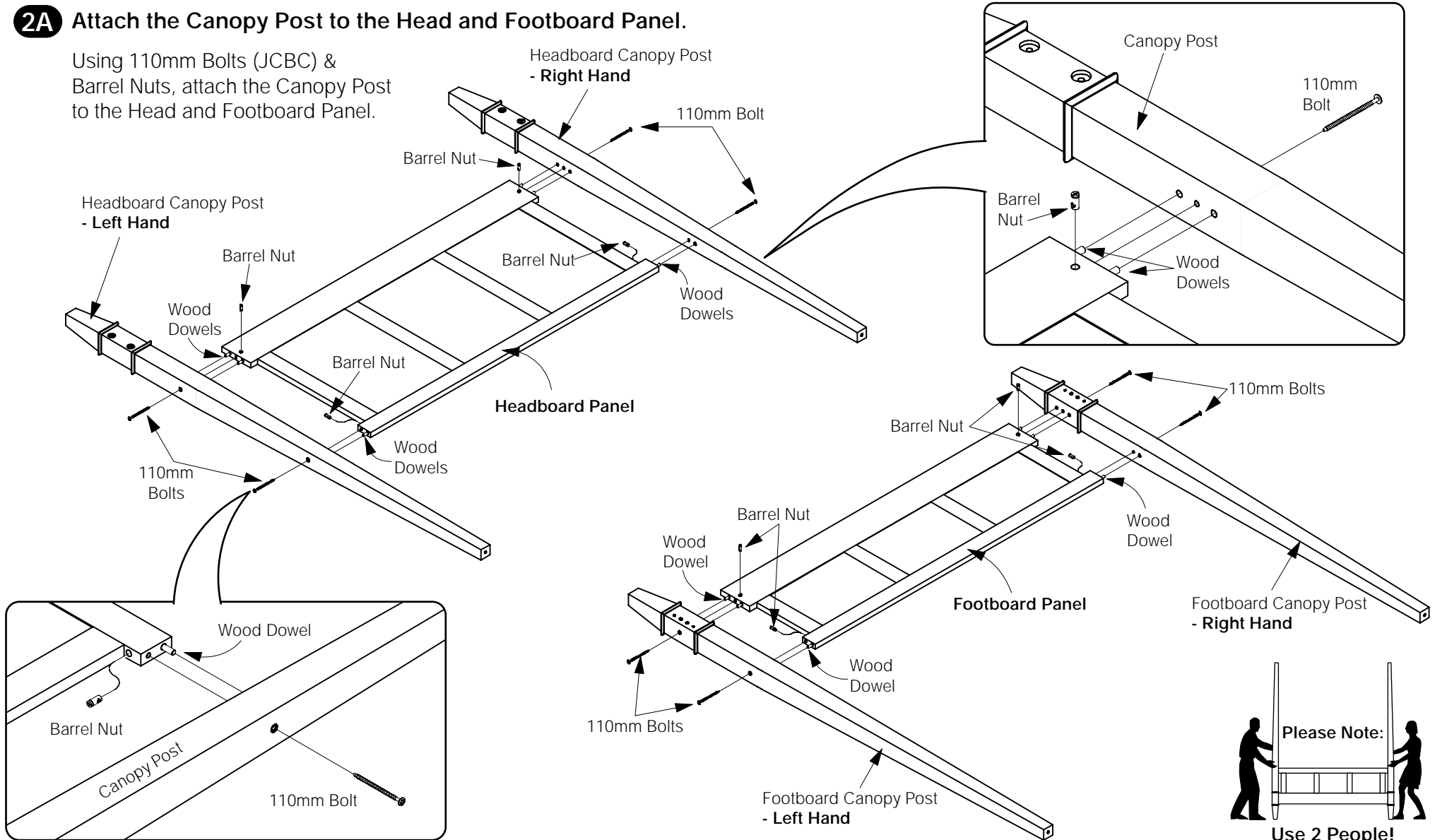
22mm Barrel Nuts x 8



Clevis Pin x 4

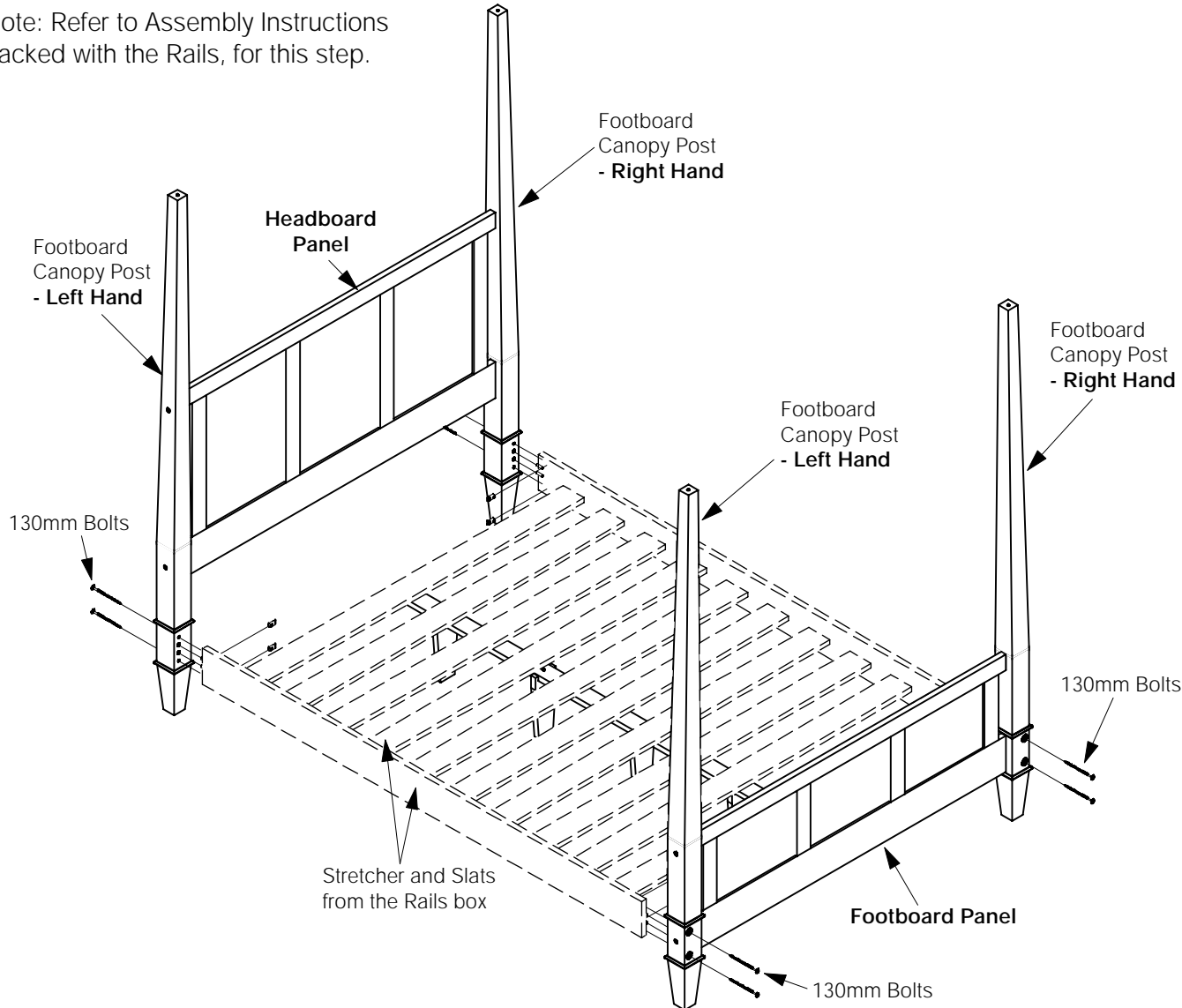
**2A** Attach the Canopy Post to the Head and Footboard Panel.

Using 110mm Bolts (JCBC) & Barrel Nuts, attach the Canopy Post to the Head and Footboard Panel.

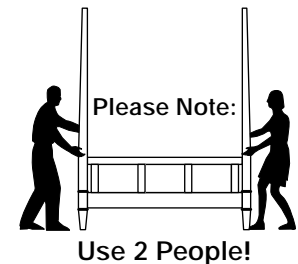


**3A Attach the Head and Footboard to the Rails & Slats.**

Note: Refer to Assembly Instructions packed with the Rails, for this step.



- ✓ The Rails and Slats are packed in separate Boxes with ThumNuts™.
- ✓ Leave the Bolts a bit loose, so it is easier to align the slats. Only after everything is put together should you tighten all the Bolts.
- ✓ *Note about Wood Buttons:* Only fit the Wood Buttons when the the complete bed (including the slats) is assembled, and all the Bolts have been tightened.



**4A** Fit the Canopy Rails onto the Canopy Posts.

Fit the Canopy Rails to the Bed Posts as shown below:

Only fit the Wood Buttons when the complete bed (including the slats) is assembled, and all the Bolts have been tightened.

