

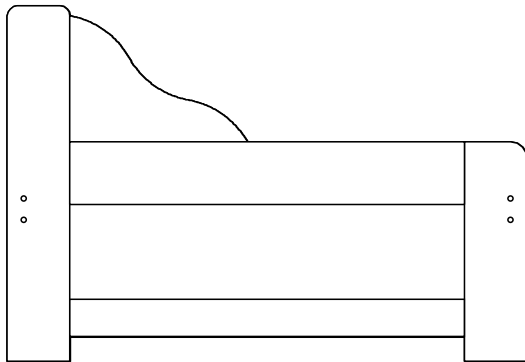
Assembly Instructions

BIFOLD FUTON FRAME FUTON ARMS

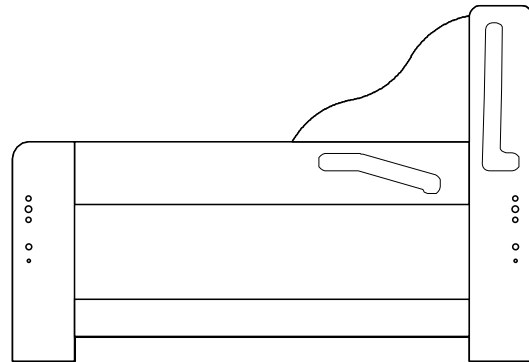
See below for Preparation of arms for assembly.

Eureka-1000

1 One pair of Bifold Arms

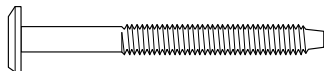


Outside View

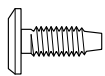


Inside View

2 Hardware in this box



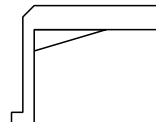
60mm Bolts x 8 Pieces:
For the Front & Back Leg



16mm Bolts x 4 Pieces



Barrel Nuts
x 8 Pieces



Stretcher Bracket
x 4 Pieces

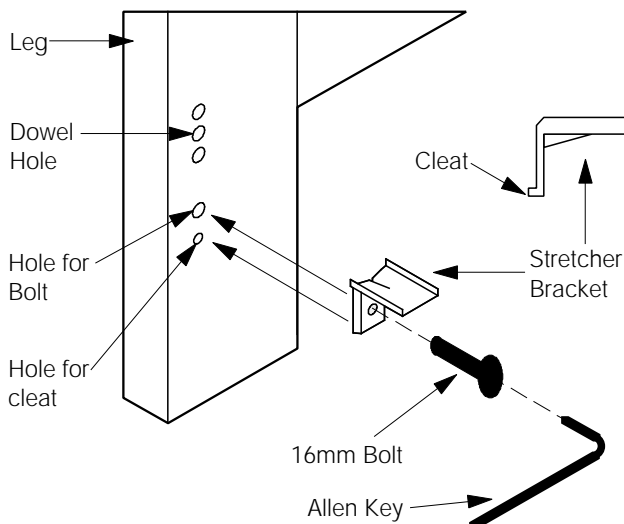


Allen Key x 1 Piece



Wooden Dowel
x 4 Pieces

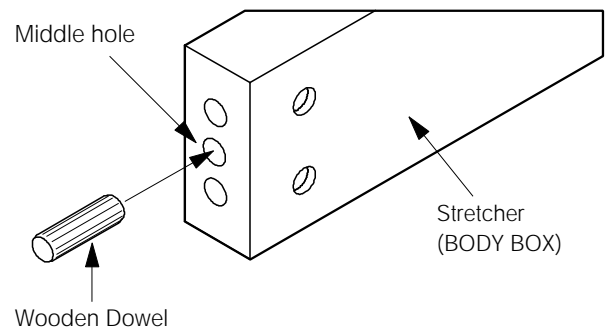
3 Fasten Stretcher Brackets to Arm



- Insert the Stretcher Bracket Cleft into the hole provided.
- IMPORTANT:** Don't fully tighten Bracket until Stretchers are all in place for easy alignment.
- Each arm requires two brackets, front and back.

4 Fit Wooden Dowels

Tap Wooden Dowels all the way into the middle hole before assembly to Arms.



5 Assemble the Bifold Body

BODY INSTRUCTIONS:

Instructions for assembly of the Arms to the Bifold Body are packed in the Bifold Body box.

i Instructions for Bifold Body assembly, are packed in the Body box.