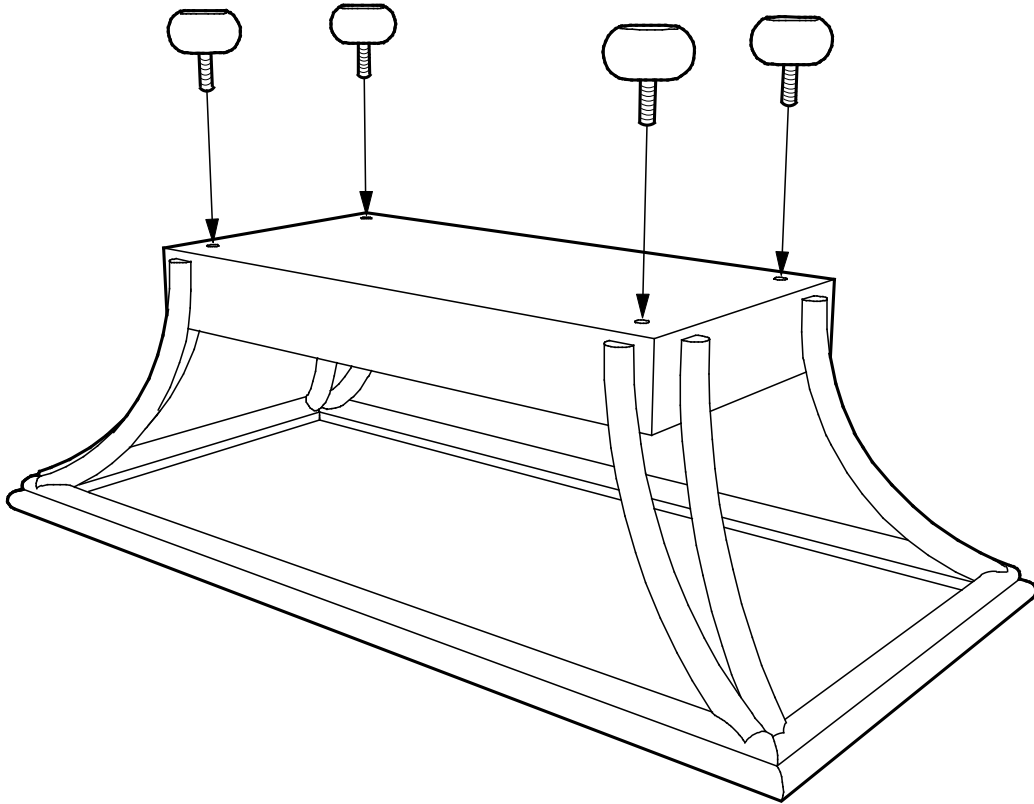


TULIP TABLE

- 1 Attach the Wooden Feet to the underside of the Table.



- 2 Fit the Glass Table Top.

