



PLEASE READ THIS – IMPORTANT CONTACT INFORMATION:

This product is brought to you by Jellybean Furniture, an Australian importer of quality furniture products. This product may also be available in other countries, and the Assembly Instructions below may refer to overseas Customer Service contact information and/or phone numbers that won't work in Australia.

In the unlikely event that you require spare parts for this product, or have a warranty issue, please first contact the Retailer that you purchased the product from. If that does not resolve your issue, please contact Jellybean Furniture's Customer Service team

- Via an email to service@jellybeanfurniture.com.au
- Or via a phone call to 02 8003 4583.

Thank you. We hope you enjoy your furniture, and find it attractive, functional, safe, and easy to assemble.

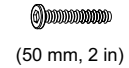
Heart Table and Chair Set

Parts List

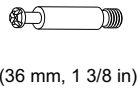
Item # 26913

HARDWARE

A. Hex Bolt
x 36 pcs



B. Cam Bolt
x 4 pcs



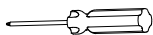
C. Cam Lock
x 4 pcs



Allen Wrench
x 1 pc

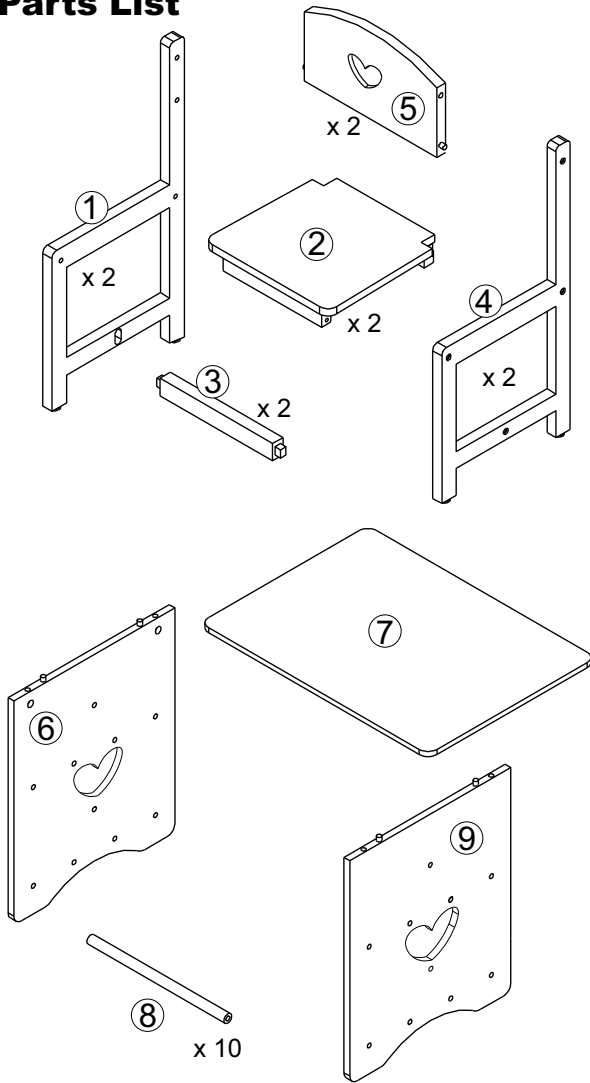


The following tool
is required for
assembly:



Phillips® Screwdriver

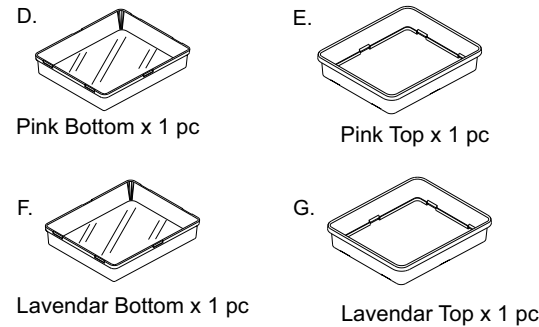
Parts List



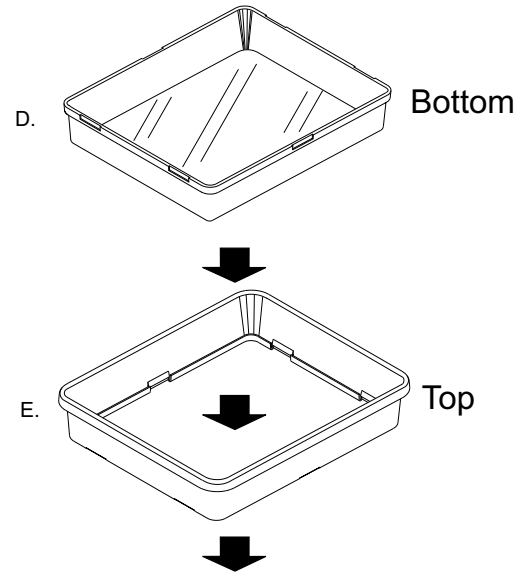
Bin

Assembly Instructions

NOTE: Once the two pieces of the plastic bin are connected, mechanism is permanent. Do not attempt to separate the two pieces once assembled.

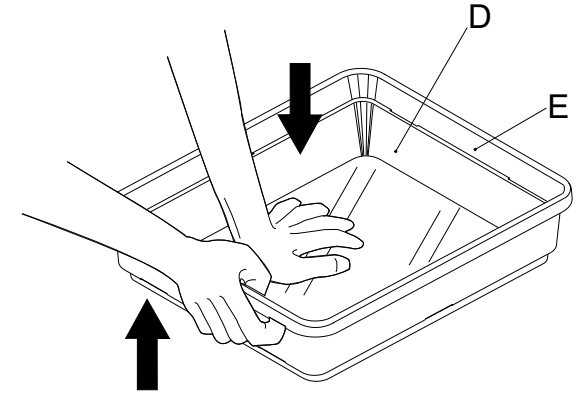


Step 1 Place Part A through Part B.



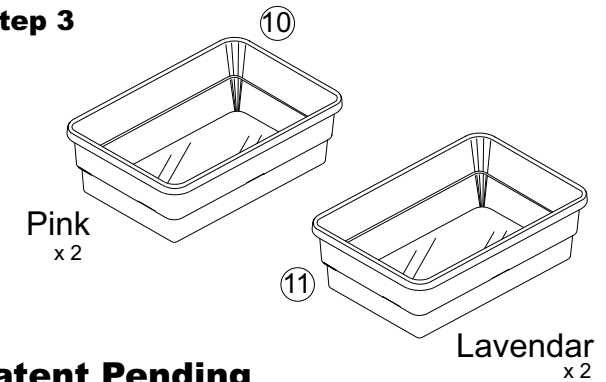
Step 2

Pull up Part E with one hand and push down Part D at the same time until the two parts lock. Make sure that the six "U" hooks have been securely locked.



*Repeat for lavendar bin with parts F and G.

Step 3



Patent Pending



CAUTION: Adult assembly required. Hardware contains small screws with sharp points. Keep unassembled parts out of the reach of small children.

Customer Service
1-800-933-0771
www.kidkraft.com

USE and MAINTENANCE:

- Use on level surfaces only.
- Please check assembly at regular intervals, and periodically tighten hardware if necessary. If maintenance is not carried out the product could overturn or fall.



WARNING: CHOKING HAZARD
Unassembled parts may be a choking hazard to children 3 years and younger.

Heart Table and Chair Set

Assembly Instructions

Item # 26913

<p>Step 1</p>	<p>Step 2</p>	<p>Step 3</p> <p>*Repeat steps 1 and 2 for second chair</p>	<p>Step 4</p>
<p>Step 5</p>	<p>Step 6</p>	<p>Step 7</p>	<p>Step 8</p> <p>*Insert bins under table.</p>



CAUTION: Adult assembly required. Hardware contains small screws with sharp points. Keep unassembled parts out of the reach of small children.

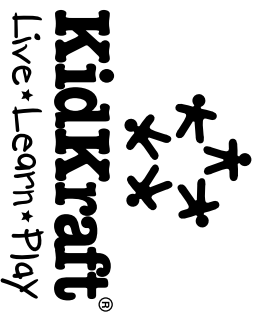
Customer Service
1-800-933-0771
www.kidkraft.com

USE and MAINTENANCE:

- Use on level surfaces only.
- Please check assembly at regular intervals, and periodically tighten hardware if necessary. If maintenance is not carried out the product could overturn or fall.



WARNING: CHOKING HAZARD
Unassembled parts may be a choking hazard to children 3 years and younger.



IMPORTANT INFORMATION - PLEASE READ FIRST

ALL OF OUR WOODEN ITEMS ARE HANDCRAFTED, HAND ASSEMBLED, AND HAND PAINTED. EACH ONE IS UNIQUE. SLIGHT IMPERFECTIONS MAY OCCUR AND ARE NOT MANUFACTURING DEFECTS. EACH ITEM HAS BEEN PAINTED WITH A VERY DURABLE PAINT THAT IS BOTH LEAD AND CHROMATE FREE AND SAFE FOR CHILDREN. HOWEVER, IT WILL NOT WITHSTAND ABNORMAL ABUSE AND WITH IMPROPER USE IT COULD CHIP. TOUCH-UP PAINTS ARE AVAILABLE FOR A NOMINAL CHARGE IF NEEDED. PLEASE CONTACT US DIRECTLY AND WE WILL FORWARD YOU THE NECESSARY COLOR.

PLEASE NOTE THAT WE DO NOT WARRANTY AGAINST THE USE OF PERMANENT MARKERS, NON-WATER-BASED PAINTS, CRAYONS, OR WASHABLE MARKERS. SOME OF THESE ITEMS CONTAIN PERMANENT COLOR DYES THAT COULD DAMAGE THE SURFACE.

CLEANING INSTRUCTIONS

CLEAN THE SURFACE USING A SLIGHTLY DAMP CLOTH AND MILD DISH WASHING LIQUID IF NECESSARY. DO NOT USE ANY CLEANING PRODUCT CONTAINING ALCOHOL OR AMMONIA. THESE WILL DULL THE SHINY SURFACE OF THE PRODUCT. FURNITURE POLISH WILL ALSO WORK TO CLEAN AND DUST OFF THE SURFACE.

WE RECOMMEND THAT YOU TEST ALL CLEANING MATERIALS ON THE UNDERSIDE OF ANY SURFACE THAT WOULD NOT BE SEEN DURING NORMAL USE OF THE PRODUCT. IF YOU HAVE QUESTIONS REGARDING THE MAINTENANCE OF THIS PRODUCT PLEASE FEEL FREE TO CALL US.

WARRANTY

IMPORTANT: EVIDENCE OF ORIGINAL PURCHASE IS REQUIRED FOR WARRANTY SERVICE.

LENGTH OF WARRANTY: 90 DAYS FROM DATE OF PURCHASE.

THIS WARRANTY COVERS DEFECTS THAT WERE A RESULT OF THE MANUFACTURERS PRODUCTIONS. YOU SHOULD CAREFULLY INSPECT THE CONDITION OF THE PRODUCT PRIOR TO ASSEMBLY. THIS WARRANTY IS INVALID IF THE PRODUCT IS DAMAGED OR NOT MAINTAINED AS REASONABLE OR NECESSARY.

PROCEDURE FOR OBTAINING WARRANTY SERVICES:
PLEASE CONTACT OUR CUSTOMER SERVICE REPRESENTATIVES AT 1-800-933-0771. THEY WILL INSTRUCT YOU HOW TO SEND THE PRODUCT AND PROOF OF PURCHASE FREIGHT PREPAID TO OUR ATTENTION.

CUSTOMER SERVICE 1-800-933-0771

www.kidkraft.com