

**COASTER**<sup>®</sup>  
FINE FURNITURE

**701439**

**OAK FINISH END TABLE**

**ASSEMBLY INSTRUCTION**

**COASTER FINE FURNITURE**



[www.coastercompany.com](http://www.coastercompany.com)



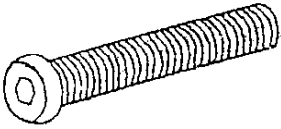
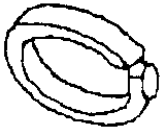

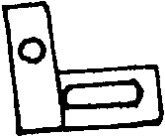
**ASSEMBLY INSTRUCTION****ASSEMBLY TIPS:**

- 1、 Remove hardware from box and sort by size.
- 2、 Please check to see that all hardware and parts are present prior start of assembly.
- 3、 Please follow attached instructions in the same sequence as numbered to assure fast & easy assembly.

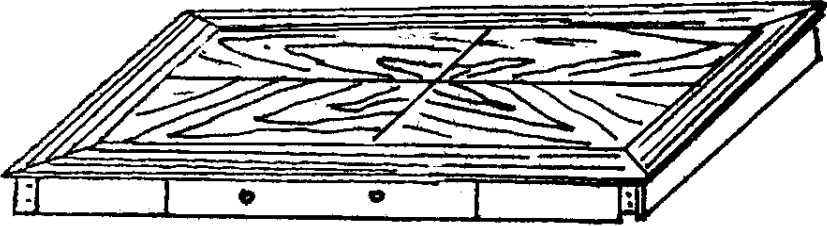
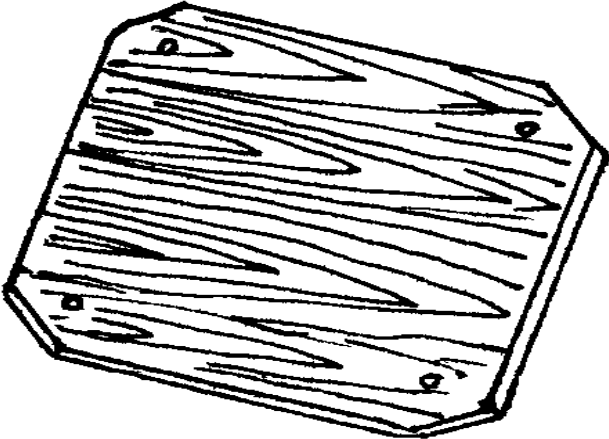

**▲Warning!**

- 1、 Don't attempt to repair or modify parts that are broken or defective. Please contact the store immediately.
- 2、 This product is for home use only and not intended for commercial establishment.

**HARDWARE IDENTIFICATION**

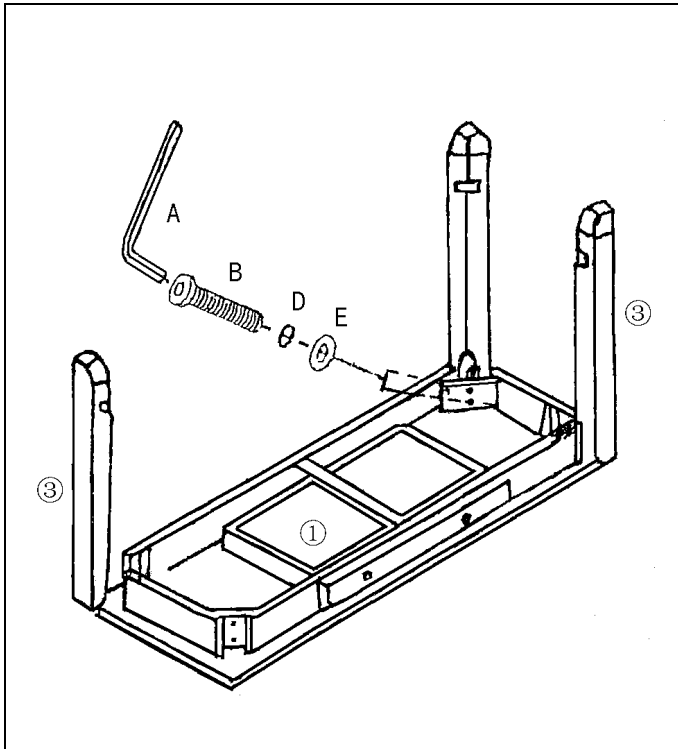
NO	DESCRIPTION	FIGURE	Q'TY
A		WRENCH 5MM	1PCS
B		NUT 5/16" DAL 2"	8PCS
C		BOLT 5/16" × 1/2"	8PCS
D		LOCK $\phi$ 5/16" DAL	8PCS
E		WRSHER" 5/16"	8PCS
F		BRACE	4PCS

# PARTS IDENTIFICATION

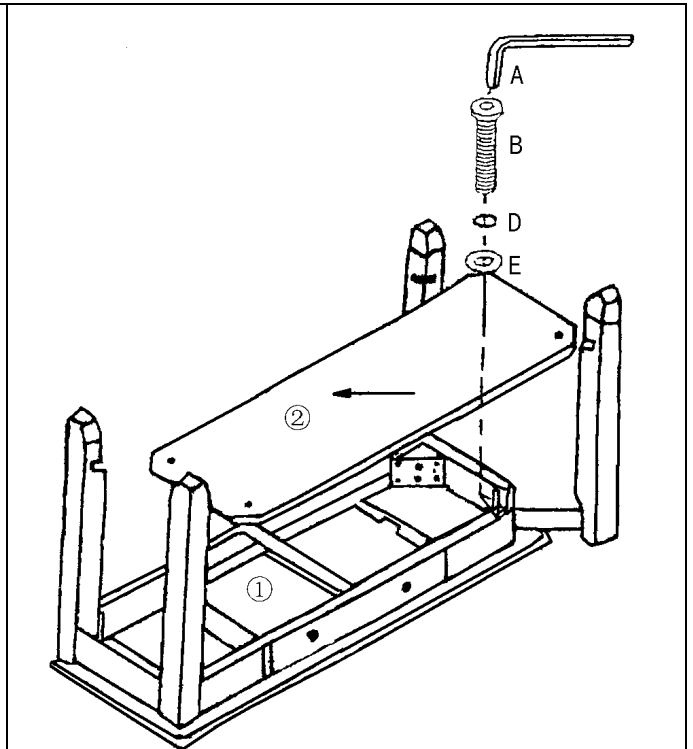
1	TABLE TOP	 <p>1PCS</p>
2	SHELVES	 <p>1PCS</p>
3	LEG	 <p>4PCS</p>

# ITEM : 701439

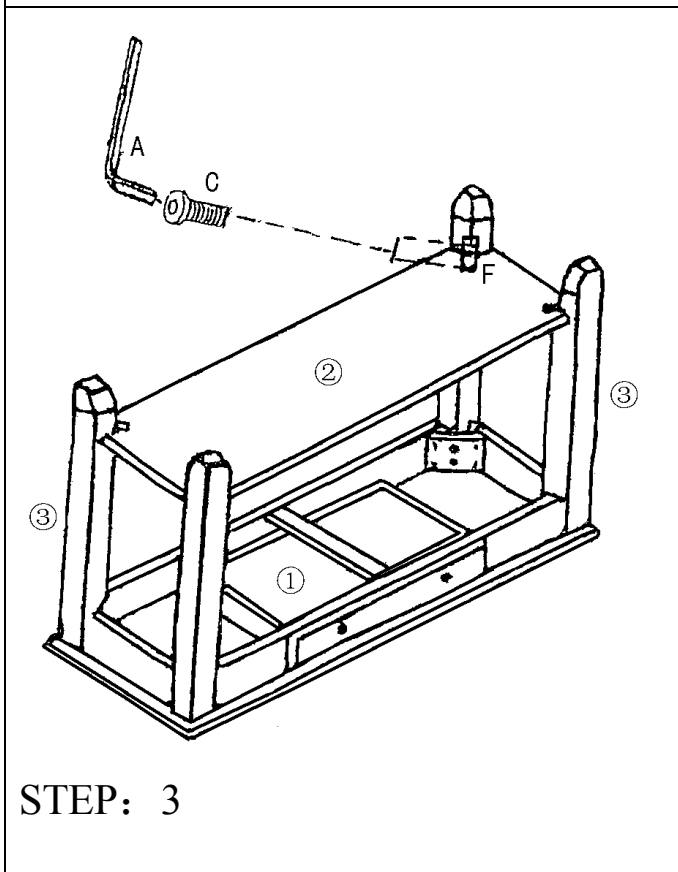
## ASSEMBLY INSTRUCTION



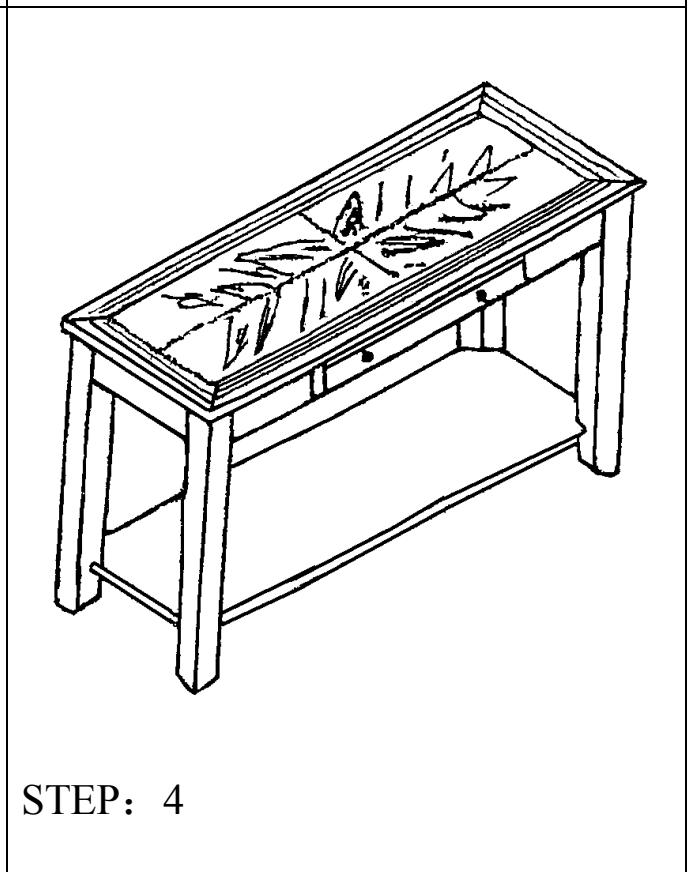
STEP: 1



STEP: 2



STEP: 3



STEP: 4