

**COASTER**<sup>®</sup>  
FINE FURNITURE

**130005**

**3PCS DINING SET**

---

**ASSEMBLY INSTRUCTIONS**  
**COASTER FINE FURNITURE**



[www.coastercompany.com](http://www.coastercompany.com)

---

**ASSEMBLY TIPS:**

1. Remove hardware from box and sort by size
2. Please check to see that all hardware and parts are present prior start of assembly.
3. Please follow attached instruction in the same sequence as numbered to assure fast & easy assembly.

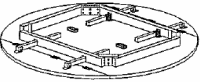
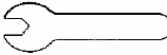


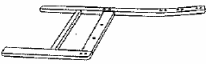










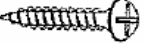



**Warning!**

1. Don't attempt to repair or modify parts that are broken or defective. Please contact the store immediately.
2. This product is for home use only and not intended for commercial establishment

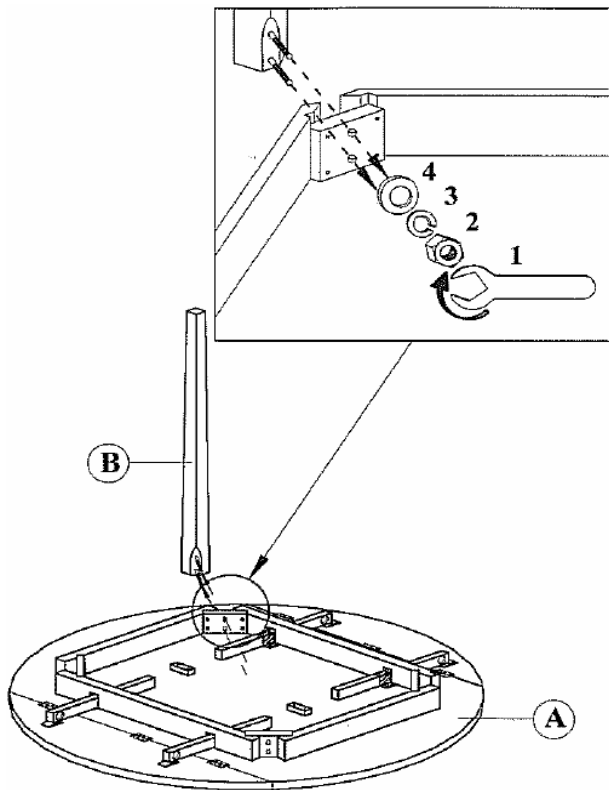
**PARTS IDENTIFICATION**

**HARDWARE IDENTIFICATION**

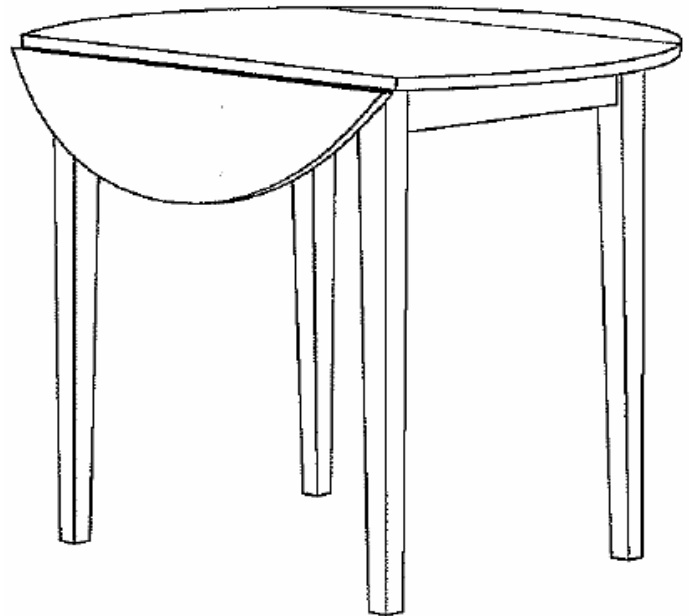
A		TABLE TOP	1PC	1		WRENCH	1PC
B		TABLE LEG	4PCS	2		HEX NUT	8PCS
C		LEFT SIDE FRAME	2PCS	3		LOCK WASHER	8PCS
D		RIGHT SIDE FRAME	2PCS	4		FLAT WASHER	8PCS
E		FRONT & BACK RAIL	4PCS	5		ALLEN WRENCH	1PC
F		TOP & BOTTOM BACK SLAT	4PCS	6		BOLT	16PCS
G		MIDDLE BACK SLAT	2PCS	7		BARREL NUT	16PCS
H		CUSHIONING SEAT	2PCS	8		PAN HEAD SCREW	8PCS
				9		DOWEL	8PCS

## STEP 1

Place table top upside down on soft surface, align and fasten all legs to table top using bolt, lock washer and flat washer and tighten with wrench.

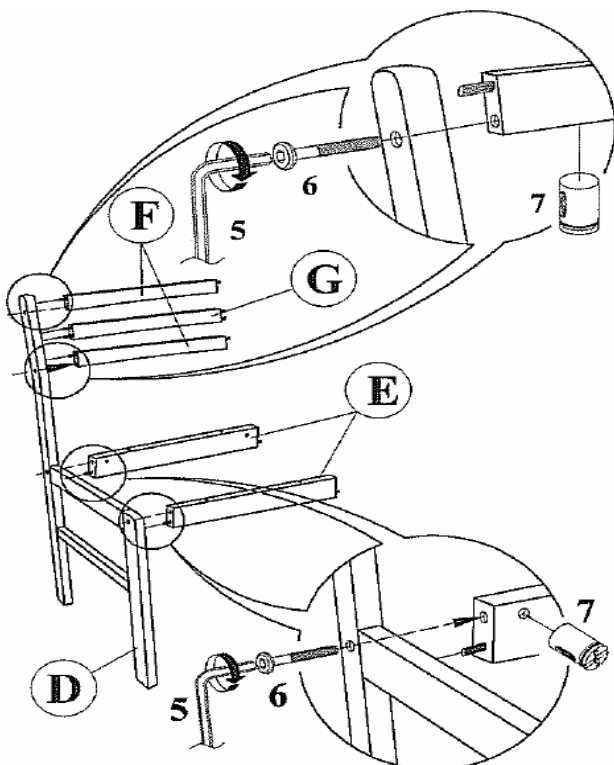


## STEP 2



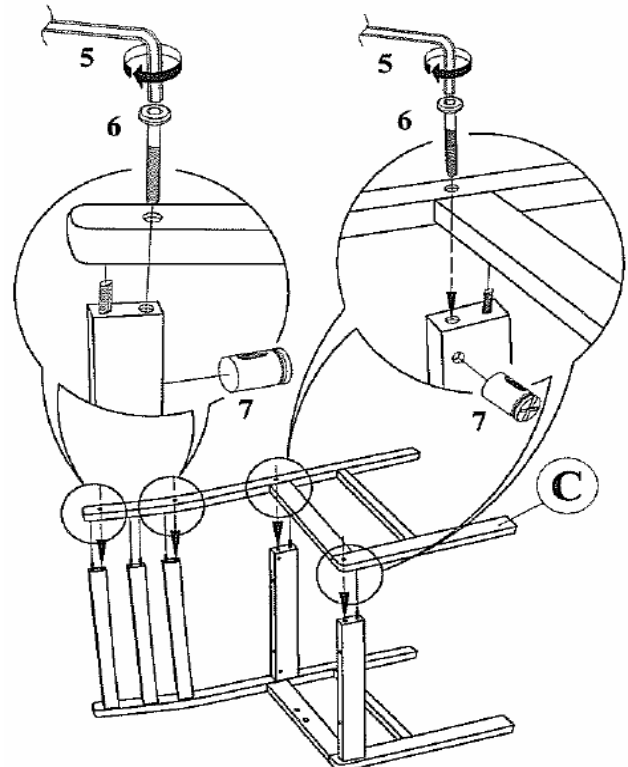
## STEP 3

Align and fasten back slats, front and back rails to right side frame using bolt and barrel nut and tighten with allen wrench.



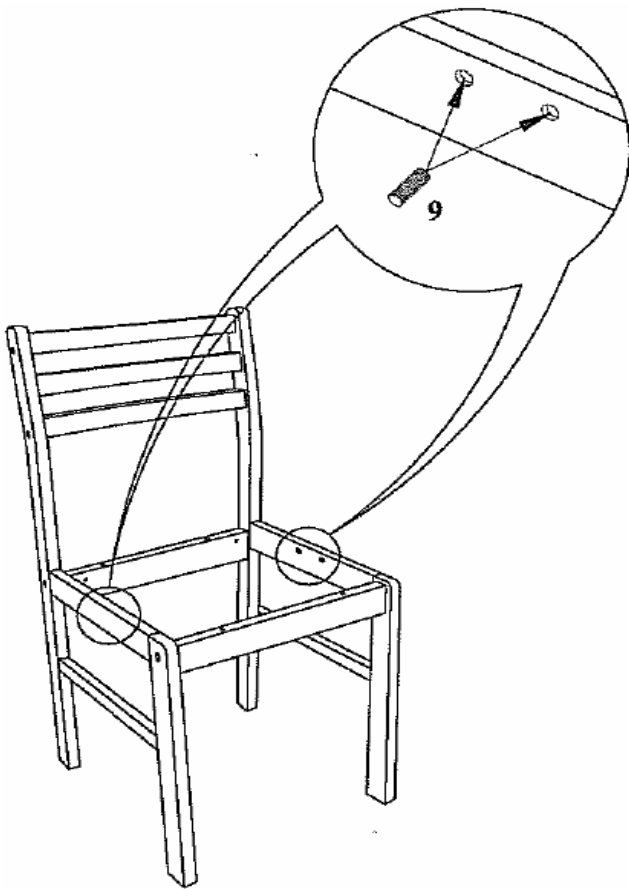
## STEP 4

Align and fasten back slats, front and back rails to left side frame using bolt and barrel nut and tighten with wrench



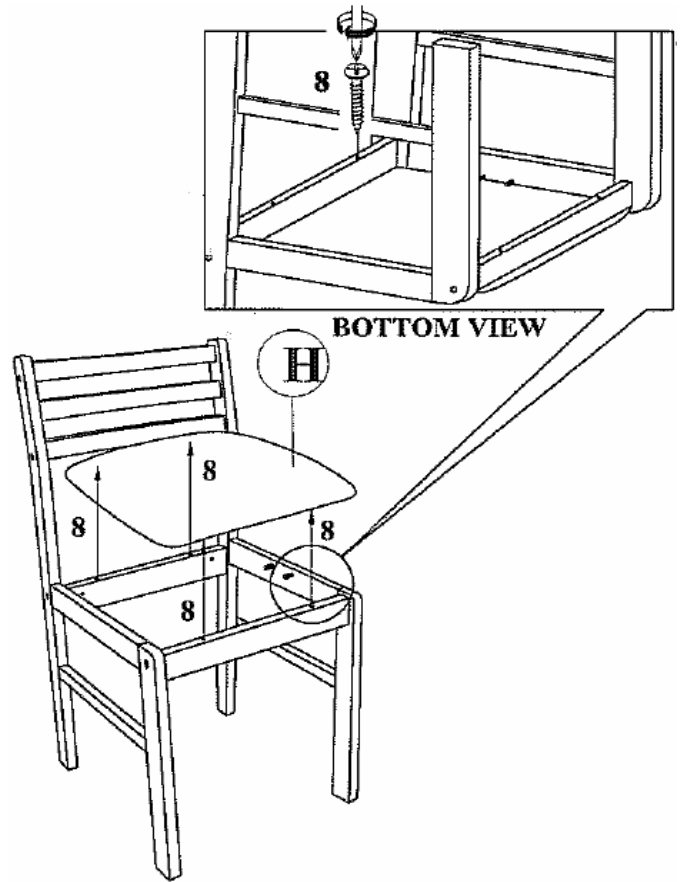
**STEP 5**

Insert dowels into side rails



**STEP 6**

Align and fasten cushion seat to front and back rails using screws and tighten with screw driver (Not provided).



**STEP 7**  
Complete

