

COASTER[®]

FINE FURNITURE

300261Q (B1&B2)

QUEEN SIZE BED WITH PU

ASSEMBLY INSTRUCTIONS

COASTER FINE FURNITURE



www.coastercompany.com

PAGE 1 OF 4

REVISION 0 : 06/12/2011

REVISION 1 : 09/19/2011

REVISION 2 : 02/02/2012

ASSEMBLY TIPS:

1. Remove hardware from box and sort by size.
2. Please check to see that all hardware and parts are present prior start of assembly.
3. Please follow attached instruction in the same sequence as numbered to assure fast & easy assembly.



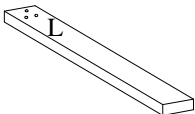
Warning!

1. Don't attempt to repair or modify parts that are broken or defective. Please contact the store immediately.
2. This product is for home use only and not intended for commercial establishment.

PARTS IDENTIFICATION

B1 (BOX 1)

A  HEADBOARD PANEL 1PC

B  LEFT HEADBOARD LEG 1PC

C  RIGHT HEADBOARD LEG 1PC

B2 (BOX 2)

D  BED SLAT 4PCS

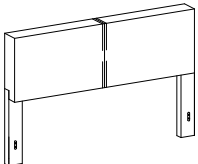
E  BED SLAT SUPPORT WITH LEVELER 4PCS

F  BED RAIL 2PCS

G  LEFT FOOTBOARD LEG 1PC

H  RIGHT FOOTBOARD LEG 1PC


I  FOOTBOARD PANEL 1PC

HB  300261Q (B1)
*FROM BOX 1
HEADBOARD COMPLETE 1PC

HARDWARE IDENTIFICATION

Z - B1 (BOX 1)

1  BOLT 6PCS

2  LOCK WASHER 6PCS

3  ALLEN WRENCH 1PC

Z - B2 (BOX 2)

4  SCREW 8PCS

5  BOLT 6PCS

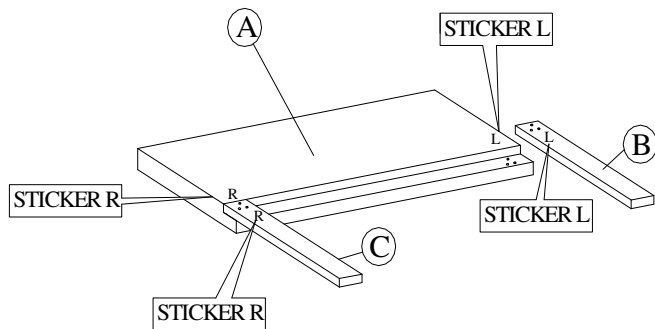
6  SMALL ALLEN WRENCH 1PC

7  BIG ALLEN WRENCH 1 PC

300261Q (B1) - BOX 1

STEP 1

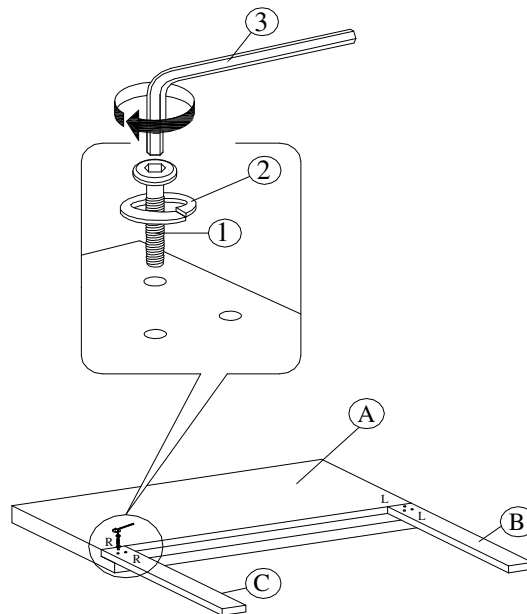
Place headboard panel upside down on soft surface, place the headboard leg on the correct position.



****BACK VIEW**

STEP 2

Align and fasten headboard leg to headboard using bolt, and lock washer, then tighten with Allen wrench



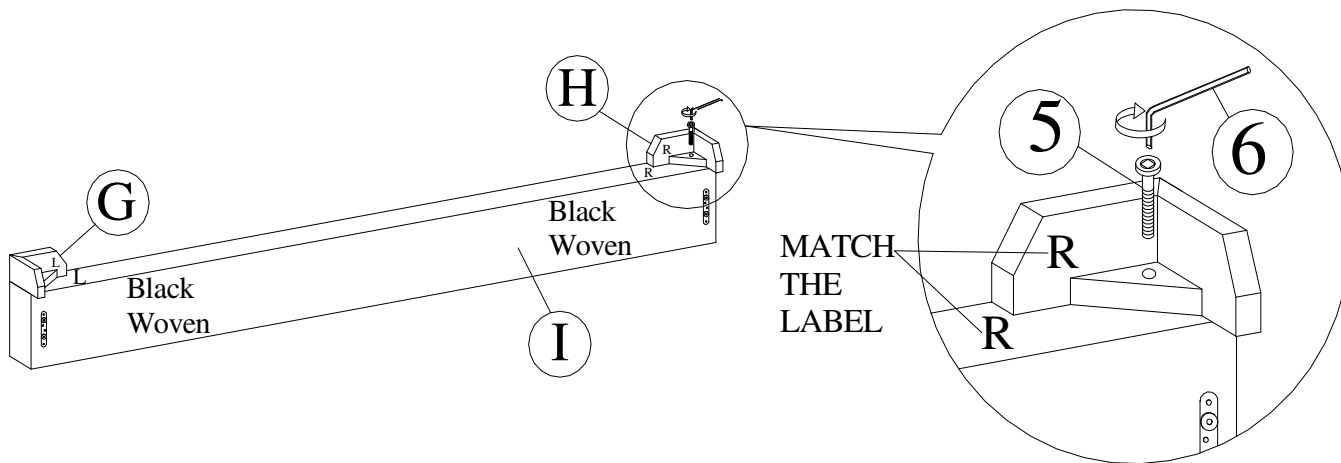
****BACK VIEW**

IF PURCHASE HEADBOARD ONLY, SKIP BELOW STEPS

300261Q (B1& B2) - BOX 1 & BOX 2

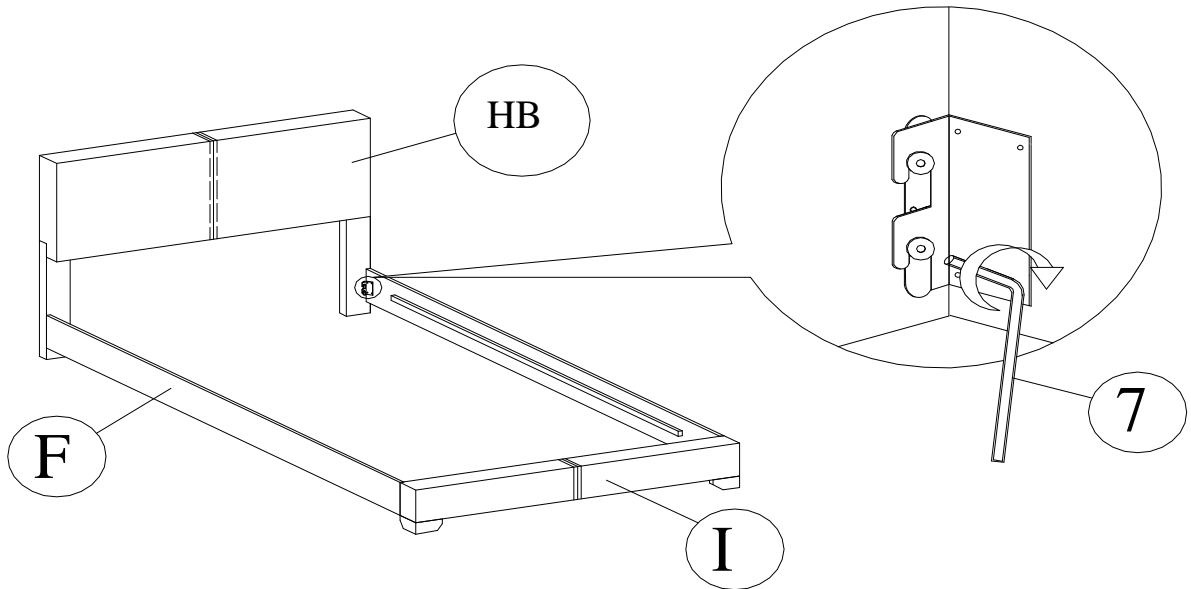
STEP 3

Align and fasten left & right footboard leg to footboard panel using bolt and tighten with small Allen wrench.



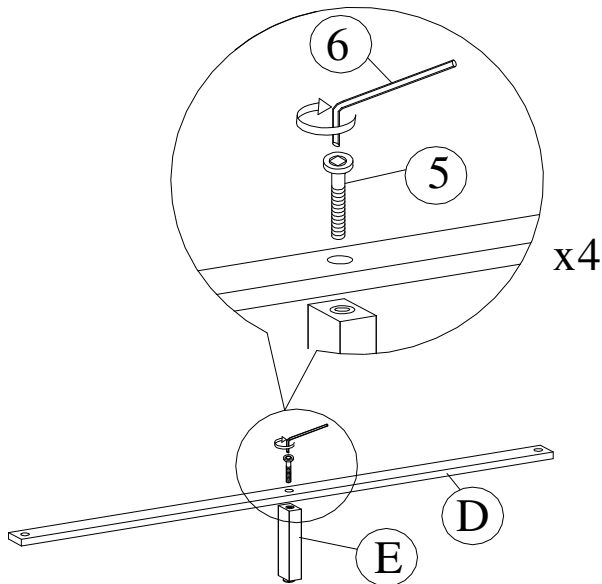
STEP 4

Unscrew the bolt from headboard and footboard. Align and fasten bed rails to headboard and footboard using bolts and tighten with big Allen wrench.



STEP 5

Align and fasten bed slat support to bed slat using bolt and tighten with small Allen wrench.



STEP 6

Align and fasten bed slats to bed rails using screw and tighten with screw driver (Not included).

