

COASTER®
FINE FURNITURE

101929

SWIVEL STOOL WITH PVC CUSHION SEAT

ASSEMBLY INSTRUCTIONS
COASTER FINE FURNITURE



www.coastercompany.com

ASSEMBLY TIPS:




1. Remove hardware from box and sort by size
2. Please check to see that all hardware and parts are present prior start of assembly.
3. Please follow attached instruction in the same sequence as numbered to assure fast & easy assembly.








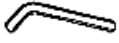
Warning!

1. Don't attempt to repair or modify parts that are broken or defective. Please contact the store immediately.
2. This product is for home use only and not intended for commercial establishment

PARTS IDENTIFICATION

A		CHAIR LEG	8PCS
B		FOOTREST	2PCS
C		CONNECTOR WITH SWIVEL PLATE	2PCS
D		CUSHION SEAT WITH FRAME	2PCS
E		BACK REST	2PCS

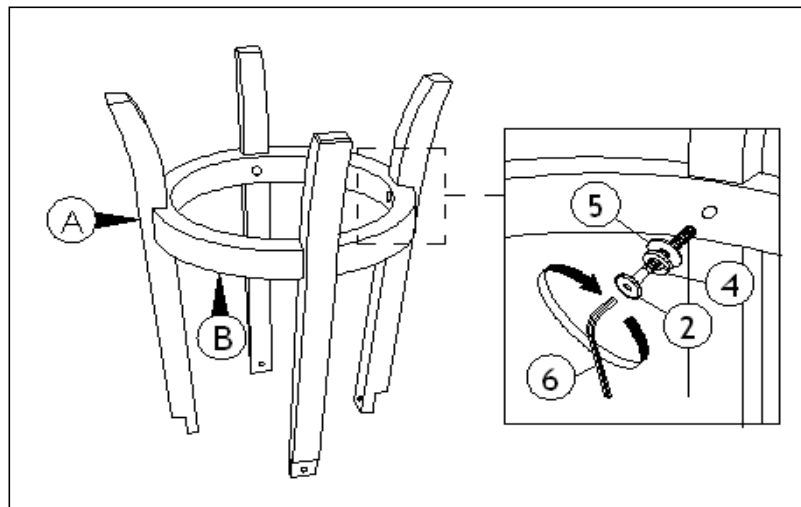
HARDWARE IDENTIFICATION

1		SHORT BOLT	8 PCS
2		MEDIUM BOLT	16 PCS
3		LONG BOLT	12 PCS
4		LOCK WASHER	28 PCS
5		FLAT WASHER	28 PCS
6		ALLEN WRENCH	1 PC

NOTE : QUANTITIES SHOWN ARE FOR TWO STOOLS

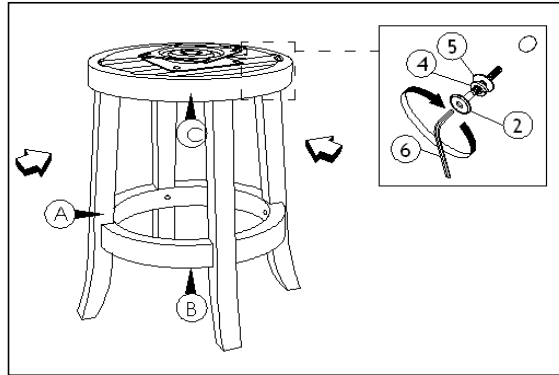
STEP 1

Align and fasten chair leg to footrest using medium bolt, lock washer and flat washer, then tighten with Allen wrench



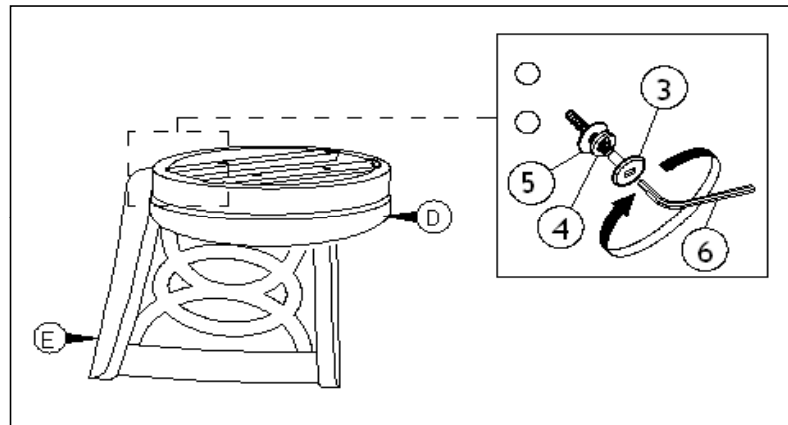
STEP 2

Align and fasten chair leg to connector with swivel plate using medium bolt, lock washer and flat washer, then tighten with Allen wrench



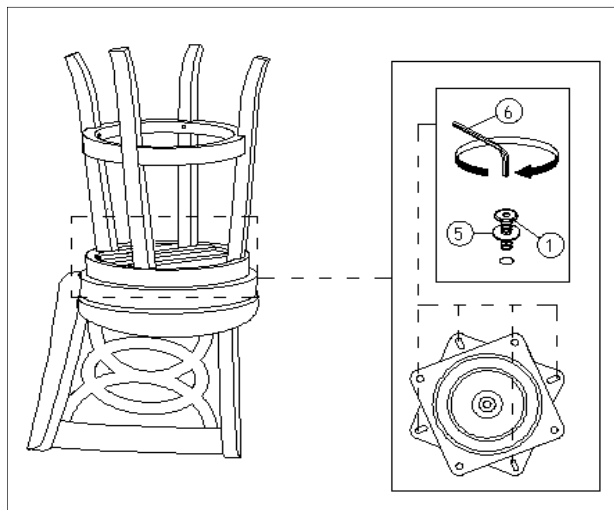
STEP 3

Align and hand tighten back rest to cushion seat with frame using long bolt, lock washer and flat washer, then fully tighten with Allen wrench.



STEP 4

Align and fasten cushion seat with frame to swivel plate using short bolt and tighten with Allen wrench.



STEP 5

Complete

