

COASTER[®] 201482

FINE FURNITURE NIGHT STAND

ASSEMBLY INSTRUCTIONS COASTER FINE FURNITURE



www.coastercompany.com

ASSEMBLY TIPS:

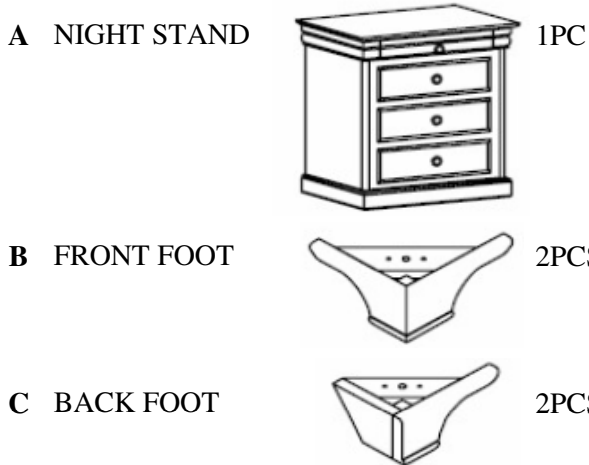
1. Remove hardware from box and sort by size
2. Please check to see that all hardware and parts are present prior start of assembly.
3. Please follow attached instruction in the same sequence as numbered to assure fast & easy assembly.






Warning!

1. Don't attempt to repair or modify parts that are broken or defective. Please contact the store immediately.
2. This product is for home use only and not intended for commercial establishment

PARTS IDENTIFICATION

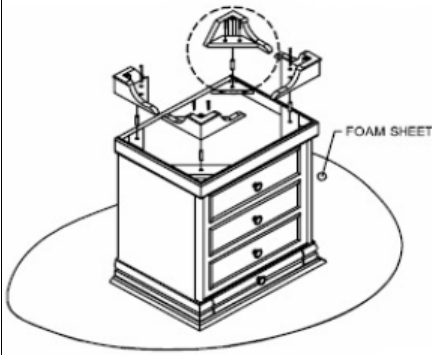


HARDWARE IDENTIFICATION

NO	DESCRIPTION	FIGURE	QTY
1	SCREW		8 PCS
	EXTRA SCREW		1PC
2	WOOD DOWEL		4 PCS

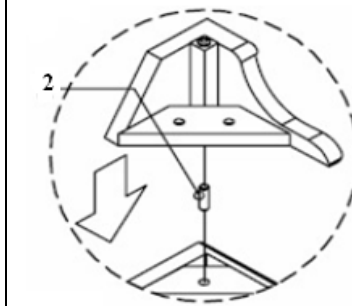
STEP 1

Place the night stand upside down on soft surface.



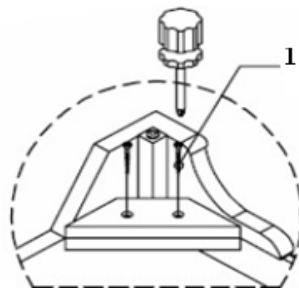
STEP 2

Insert wood dowel into the bottom of night stand and foot.



STEP 3

Align and fasten foot to the bottom of night stand using screw and tighten with screw driver (not included)



FULL ASSEMBLY

