

**COASTER**<sup>®</sup>  
FINE FURNITURE

**500872**

**OTTOMAN**

---

**ASSEMBLY INSTRUCTION**  
**COASTER FINE FURNITURE**



**[www.coastercompany.com](http://www.coastercompany.com)**

# Assembly Instruction

## ASSEMBLY TIPS:

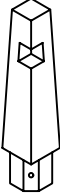
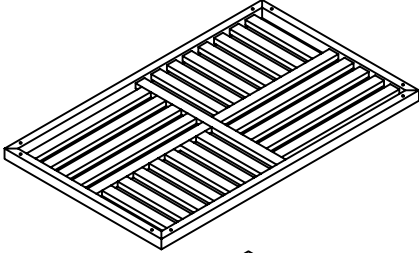
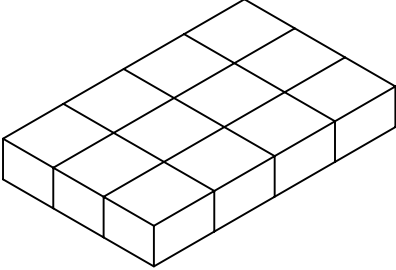
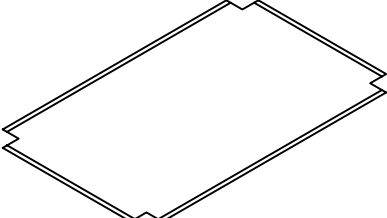
1. Remove hardware from box and sort by size.
2. Please check to see that all hardware and parts are present prior start of assembly.
3. Please follow attached instructions in the same sequence as numbered to assure fast & easy assembly.



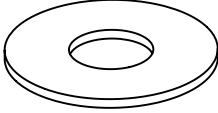
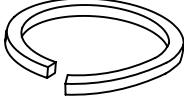
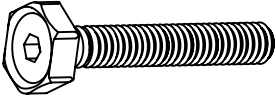
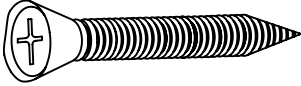
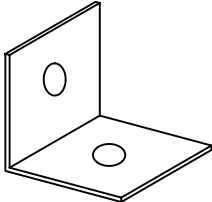

### Warning !

1. Don't attempt to repair or modify parts that are broken or defective. Please contact the store immediately.
2. This product is for home use only and not intended for commercial establishment.

## PARTS IDENTIFICATION

(1)		LEG	4 PCS
(2)		PANEL	1 PC
(3)		OTTOMAN TOP	1 PC
(4)		DUST CLOTH	1 PC

HARDWARE IDENTIFICATION

A		FLAT WASHER	4 PCS
B		SPRING WASHER	4 PCS
C		BOLT M8x45mm	4 PCS
D		SCREW 4x20mm	8 PCS
E		BRACKET	4 PCS
F		ALLEN DRIVER 5mm	1 PC

