

ASSEMBLY INSTRUCTION  
COASTER FINE FURNITURE



[www.coastercompany.com](http://www.coastercompany.com)

# Assembly Instruction



**ASSEMBLY TIPS:**




- 1:Remove hardware from box and sort by size .
- 2:Please check to see that all hardware and parts are present prior start of assembly.
- 3:Please follow attached instructions in the same sequence as numbered to assure fast & easy assembly .

**⚠ WARNING!**

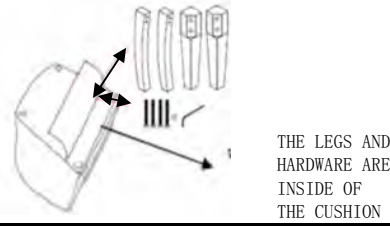
- 1:Don't attempt to repair or modify parts that are broken or defective please contact the store immediately .
- 2:This product is for home use only and not intended for commercial establishment .

**PARTS IDENTIFICATION:**

A. CHAIR		1PC
B. BACK LEGS		2PCS
C. FRONT LEGS		2PCS

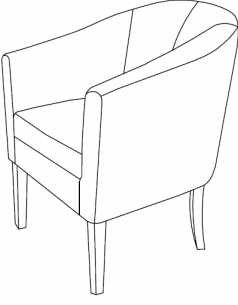
Z	HARDWARE IDENTIFICATION		
	DESCRIPTION	FIGURE	QTY
1	ALLEN BOLT $\varnothing 8*45MM$		8PCS
2	WASHER		8PCS
3	ALLEN WRENCH		1PCS

**STEP1**



THE LEGS AND HARDWARE ARE INSIDE OF THE CUSHION

**STEP3**



**STEP2**

