

# COASTER<sup>®</sup> 460071(B1-B3)

FINE FURNITURE

TWIN/TWIN BUNK BED

ASSEMBLY INSTRUCTIONS  
COASTER FINE FURNITURE



[www.coastercompany.com](http://www.coastercompany.com)

### ASSEMBLY TIPS:



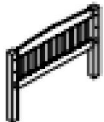

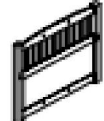

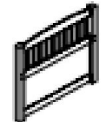





1. Remove hardware from box and sort by size
2. Please check to see that all hardware and parts are present prior to start of assembly.
3. Please follow attached instruction in the same sequences as numbered to assure fast & easy assembly.






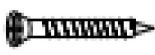





### Warning!

1. Don't attempt to repair or modify parts that are broken or defective. Please contact the store immediately.
2. This product is for home use only and not intended for commercial establishment

## PARTS IDENTIFICATION

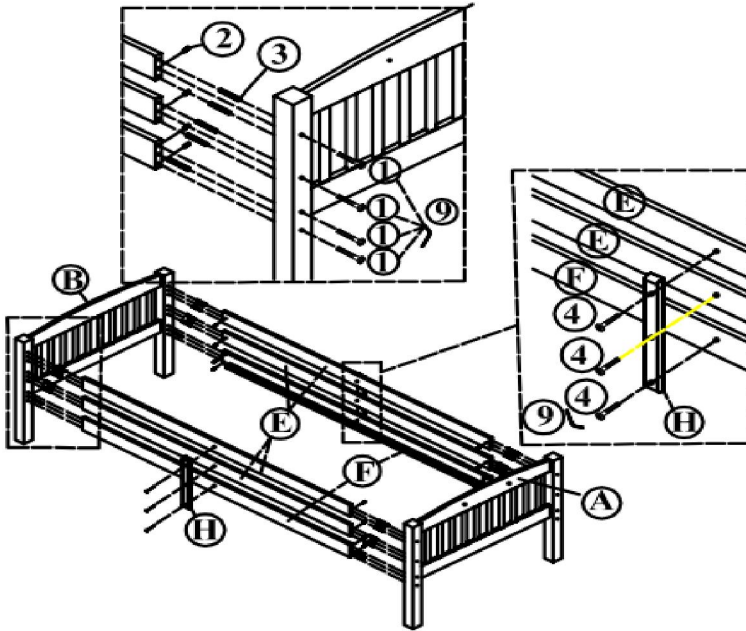
A		RIGHT UPPER BED END	1PC	G		LOWER SIDE RAIL	2PCS
B		LEFT UPPER BED END	1PC	H		GUARD SUPPORT	2PCS
C		RIGHT LOWER BED END	1PC	I		ROLL SLAT (13PCS)	2SETS
D		LEFT LOWER BED END	1PC	J		RIGHT LADDER STILE	1PC
E		UPPER GUARD RAIL	4PCS	K		LEFT LADDER STILE	1PC
F		UPPER SIDE RAIL	2PCS	L		LADDER STEP	6PCS

## HARDWARE IDENTIFICATION

1		LONG BOLT	24PCS	6		SHORT BOLT	6PCS
2		BARREL NUT	24PCS	7		SCREW	12PCS
3		WOOD DOWEL	48PCS	8		METAL DOWEL	4PCS
4		MEDIUM BOLT	6PCS	9		ALLEN WRENCH	1PC
5		ALLEN CAP SCREW	12PCS				

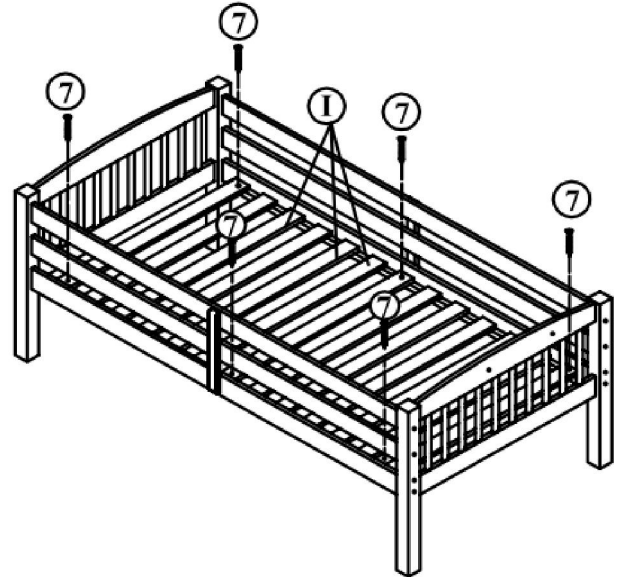
## STEP 1

- 1.1 Insert wood dowel into upper guard rail & upper side rail.
- 1.2 Align and fasten upper guard rail & upper side rail to upper bed end using long bolt and barrel nut and tighten with Allen wrench.
- 1.3 Align and fasten trestle bar to upper guard rail and upper side rail using medium bolt and tighten with Allen wrench.



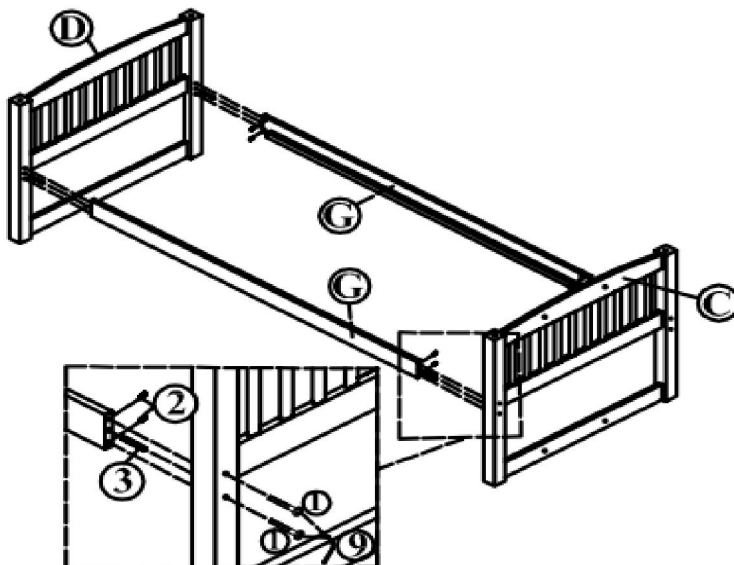
## STEP 2

- Align and fasten roll slat to upper side rail using screw and tighten with screw driver (not provided).



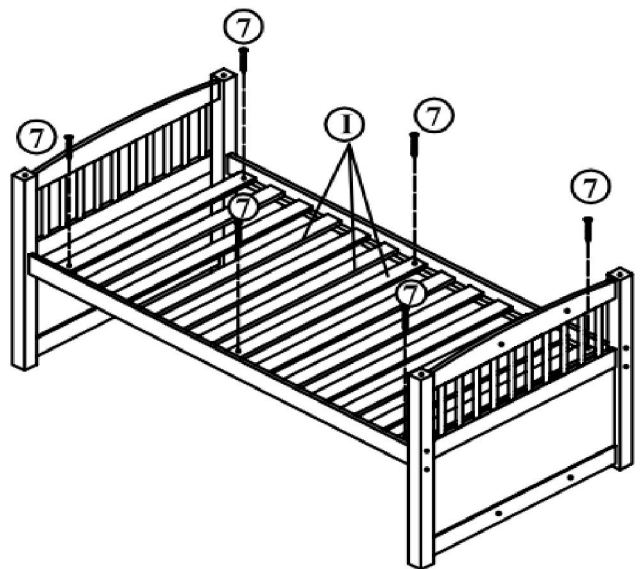
## STEP 3

- 3.1 Insert wood dowel into lower side rail.
- 3.2 Align and fasten lower side rail to lower bed end using long bolt and barrel nut and tighten with Allen wrench.



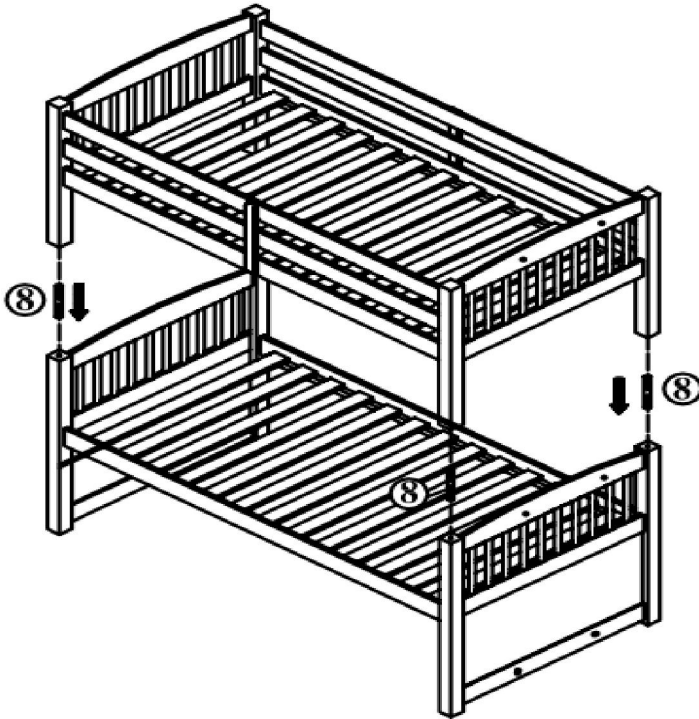
## STEP 4

- Align and fasten roll slat to lower side rail using screw and tighten with screw driver (not provided).



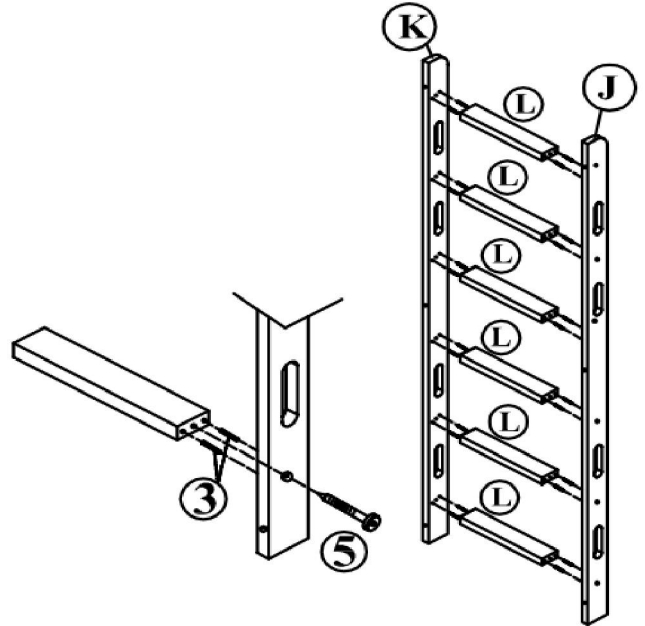
**STEP 5**

Insert metal dowel to the leg of lower bunk bed, then place the upper bunk bed onto the metal dowel.



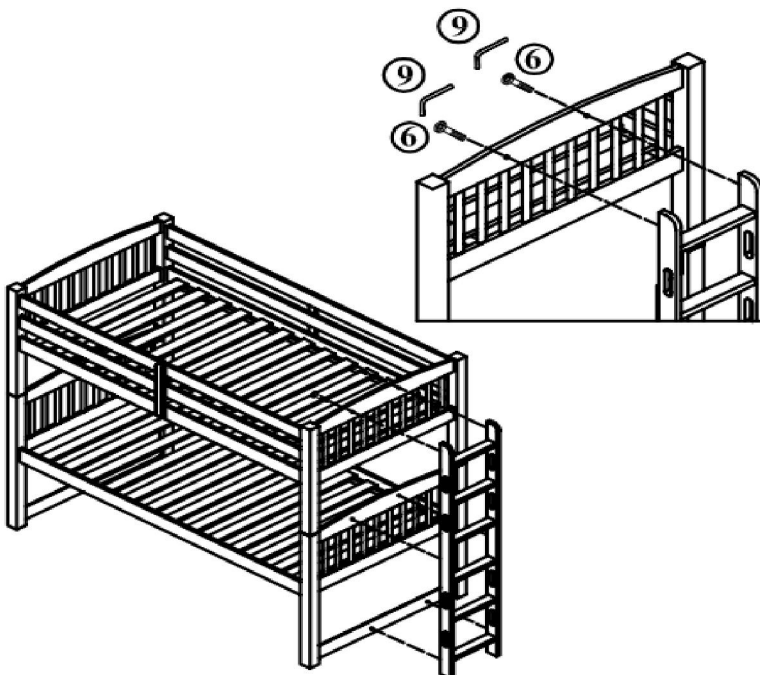
**STEP 6**

6.1 Insert wood dowel into ladder step  
6.2 Align and fasten ladder step to ladder stile using Allen cap screw and tighten with Allen wrench.



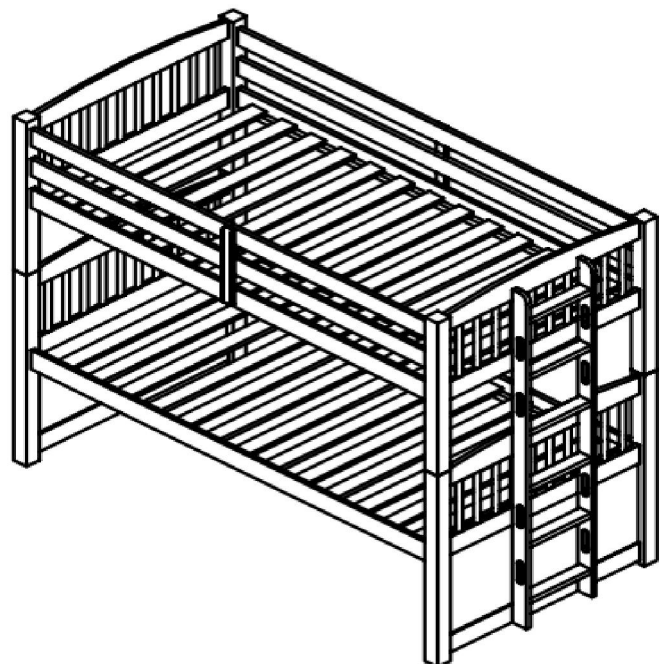
**STEP 7**

Align and fasten ladder to the upper bed end top rail and lower bed end top and bottom rail using short bolt and tighten with Allen wrench.



**STEP 8**

Complete.



# **SAFETY WARNING**

Coaster puts your child's safety as a Top Priority. Our bunk beds have been tested by an independent laboratory and are certified to be in compliance with ASTM F-1427, "Standard Consumer Safety Specification for Bunk Beds" and U.S. Government specifications 16 Code of Federal Regulations, parts 1213 and 1513.

- 1 Follow the information on the warning attached to the upper bunk end structure and on the carton. Do not remove this label.
  - 2 Always use the recommended size mattress or mattress support or both to help prevent the likelihood of entrapment or falls.
  - 3 Surface of mattress must be at least five inches (127mm) below the upper edge of guardrails.
  - 4 Do not allow children less than six years of age to use the upper bunk.
  - 5 Prohibit more than one person on upper bunk.
  - 6 Periodically check and ensure that the guardrail, ladder and other components are in their proper position, free from damage, and that all connectors are tight.
  - 7 Do not allow horseplay on or under the bed and prohibit jumping on the bed.
  - 8 Always use the ladder for entering and leaving the upper bunk.
  - 9 Do not use substitute parts. Contact the manufacturer or dealer for replacement parts.
  - 10 Use of a night light may provide added safety precaution for a child using upper bunk.
  - 11 If the bunk bed will be placed next to a wall, the guardrail that runs the full length of the bed should be placed against the wall to prevent entrapment between the bed and the wall. (This applies only to bunk beds without two full-length guardrails.)
  - 12 Always use guardrails on both long sides of the upper bunk.
  - 13 The use of water or sleep flotation mattress is prohibited.
  - 14 Keep these instructions for future reference.
- STRANGULATION HAZARD:**
- 15 Never attach or hang items to any part of the bunk bed that are not designed for use with the bed for example, but not limited to hooks, belts, and jump ropes.

## **SIZE OF MATTRESS AND FOUNDATION:**

Use only mattress which is 37 ½" – 38 ½" in width and 74" – 75" in length. The total thickness of mattress and foundation (slat kit, bunk board, etc.) combined must not exceed 6"

**Note: There must be at least 5" from mattress sleeping surface to top edge of guardrail.**

## **REPLACEMENT PARTS:**

Replacement parts, including additional guardrails may be obtained from any COASTER Furniture Dealer.



# WARNING

## TO PREVENT SERIOUS OR FATAL INJURY

1. When using beds as bunk beds, the ladder **MUST** be securely attached to the upper bunk rail at all times.
2. When using the beds as two (2) separate floor-standing beds, the ladder **MUST** be stored in a separate location where children cannot use the ladder in any manner.
3. **DO NOT** use, nor permit children to use, the ladder in any manner whatsoever, other than to access the top unit when used as bunk beds, and only if the ladder is securely attached to the top bunk rail, as set forth in the instructions.
4. Any misuse or unauthorized use of the ladder could result in serious or fatal injury.
5. Failure to follow the above **WARNING**, and/or failure to follow assembly instructions completely, will void any and all liability of **COASTER COMPANY OF AMERICA** for damages and injury to persons and property.

**COASTER**<sup>®</sup>  
FINE FURNITURE

[www.coastercompany.com](http://www.coastercompany.com) | 877- COASTER (262-7838)