

COASTER[®]

FINE FURNITURE

202311QH

QUEEN SIZE HEADBOARD

ASSEMBLY INSTRUCTIONS

COASTER FINE FURNITURE



www.coastercompany.com

ASSEMBLY TIPS:

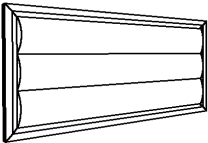
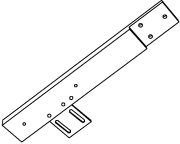
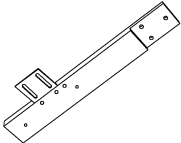
1. Remove hardware from box and sort by size.
2. Please check to see that all hardware and parts are present prior to start of assembly.
3. Please follow attached instruction in the same sequence as numbered to assure fast & easy assembly.



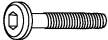



Warning!

1. Don't attempt to repair or modify parts that are broken or defective. Please contact the store immediately.
2. This product is for home use only and not intended for commercial establishment.

PARTS IDENTIFICATION

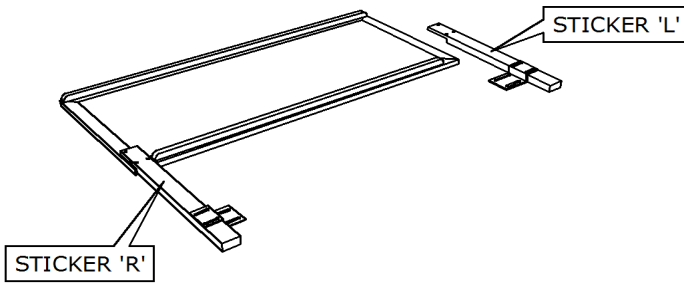
A		HEADBOARD PANEL	1PC
B		LEFT HEADBOARD LEG	1PC
C		RIGHT HEADBOARD LEG	1PC

HARDWARE IDENTIFICATION

1		BOLT	6PCS
2		FLAT WASHER	6PCS
3		LOCK WASHER	6PCS
4		ALLEN WRENCH	1PC

STEP 1

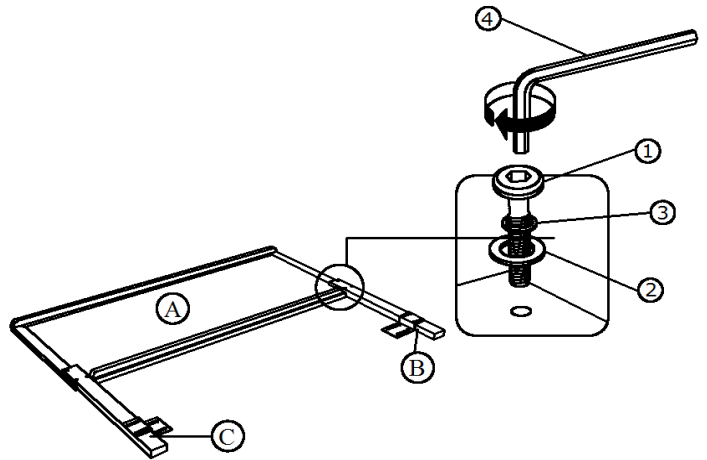
Place headboard panel upside down on soft surface, place the headboard leg on the correct position.



****BACK VIEW**

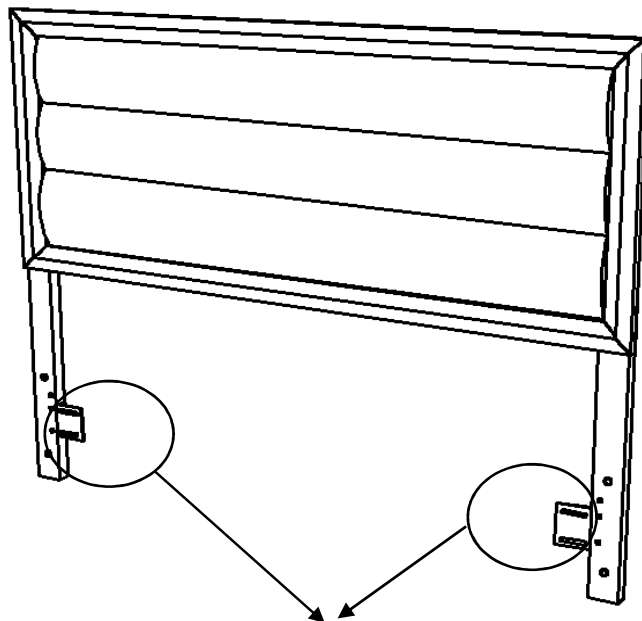
STEP 2

Align and fasten headboard leg to headboard panel using bolt, lock washer and flat washer, and tighten with Allen wrench.



****BACK VIEW**

COMPLETE



Attach the full size metal frame (not provided) to these metal plates.