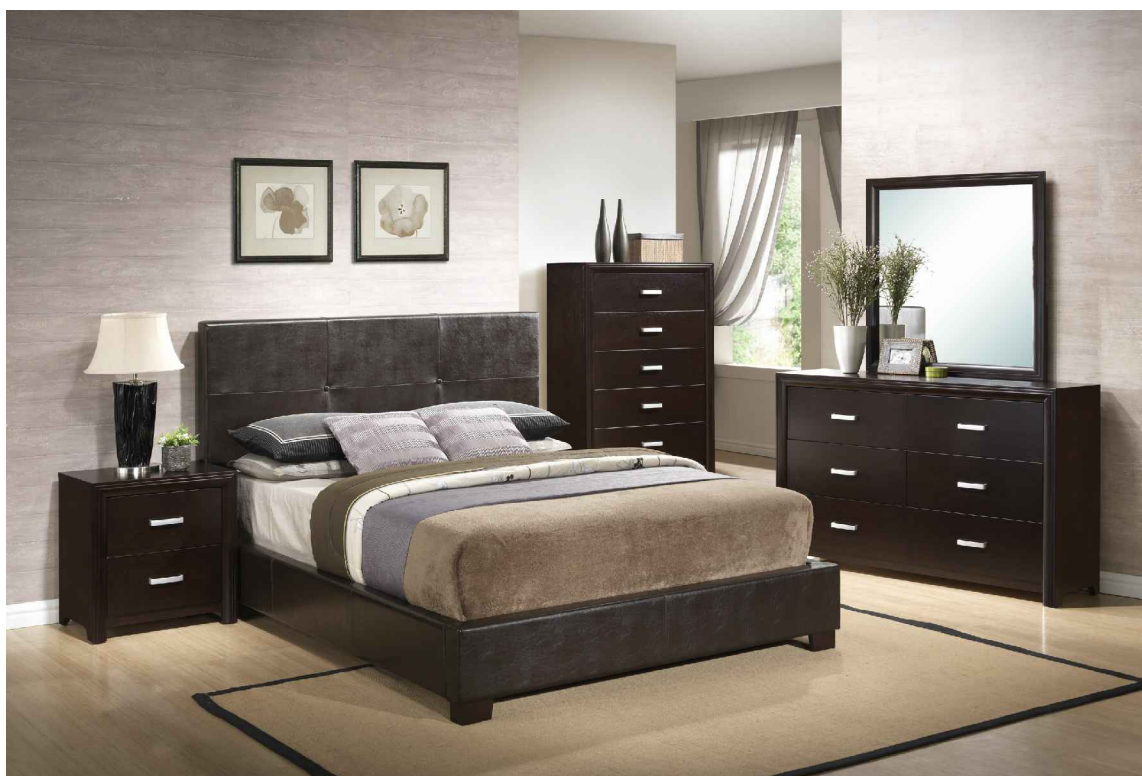


**COASTER**<sup>®</sup>  
FINE FURNITURE

202470Q (B1 & B2)

QUEEN SIZE PU BED

ASSEMBLY INSTRUCTIONS  
COASTER FINE FURNITURE



[www.coastercompany.com](http://www.coastercompany.com)

# ITEM : 202470Q (B1 & B2)

## ASSEMBLY INSTRUCTIONS

### ASSEMBLY TIPS :

1. Remove hardware from box and sort by size.
2. Please check to see that all hardware and parts are present prior to start of assembly.
3. Please follow attached instructions in the same sequence as numbered to assure fast & easy assembly.



#### Warning!

1. Don't attempt to repair or modify parts that are broken or defective. Please contact the store immediately.
2. This product is for home use only and not intended for commercial establishment.

### PARTS IDENTIFICATION

#### B1 (BOX 1)

A. HEADBOARD PANEL  1 PC

B. LEFT HEADBOARD LEG (STICKER ①)  1 PC

C. RIGHT HEADBOARD LEG (STICKER ②)  1 PC

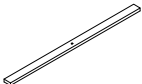
#### B2 (BOX 2)

D. FOOTBOARD PANEL  1 PC

E. LEFT FOOTBOARD LEG  1 PC

F. RIGHT FOOTBOARD LEG  1 PC

G. BED RAIL  2 PCS

H. BED SLAT  4 PCS

I. BED SLAT SUPPORT WITH LEVELER  4 PCS

HB. 202470Q (B1)  
\*FROM BOX 1  
HEADBOARD COMPLETE  1 PC

### HARDWARE IDENTIFICATION

#### Z - B1 (BOX 1)

1. BOLT  6 PCS

2. LOCK WASHER  6 PCS

3. FLAT WASHER  6 PCS

4. ALLEN WRENCH  1 PC

#### Z - B2 (BOX 2)

5. PAN HEAD SCREW  8 PCS

6. BIG BOLT  4 PCS

7. BIG ALLEN WRENCH  1 PC

8. SMALL BOLT  8 PCS

9. LOCK WASHER  4 PCS

10. FLAT WASHER  4 PCS

11. SMALL ALLEN WRENCH  1 PC

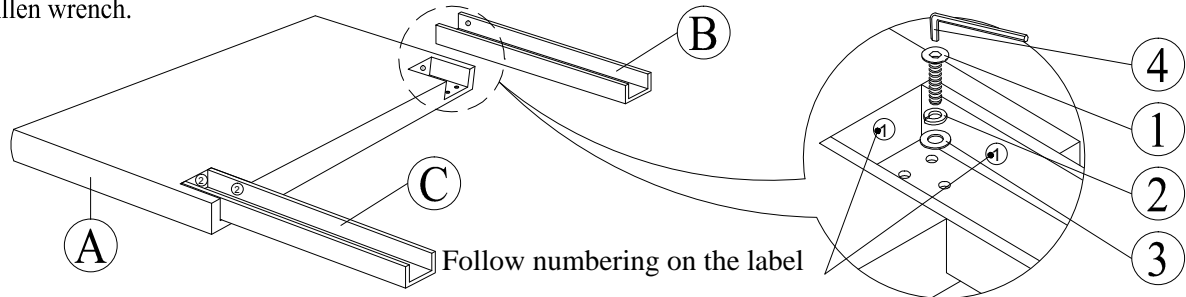
# ITEM : 202470Q (B1 & B2)

## ASSEMBLY INSTRUCTIONS

### 202470Q (B1) - BOX 1

#### STEP 1

Align and fasten headboard leg to headboard panel using bolt, lock washer, flat washer and tighten with Allen wrench.

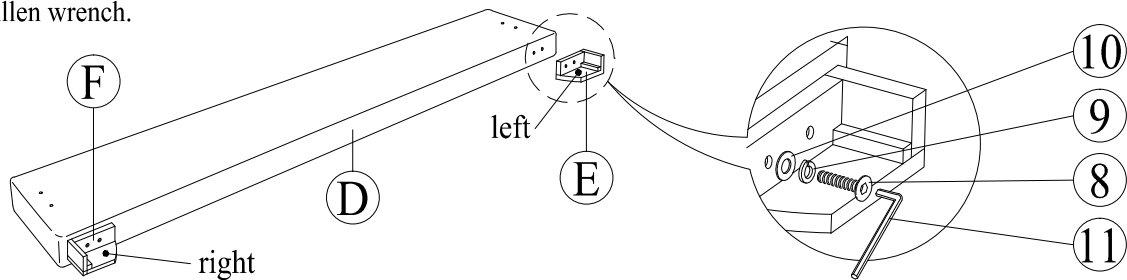


IF PURCHASE HEADBOARD ONLY, SKIP BELOW STEP

### 202470Q (B2) - BOX 2

#### STEP 2

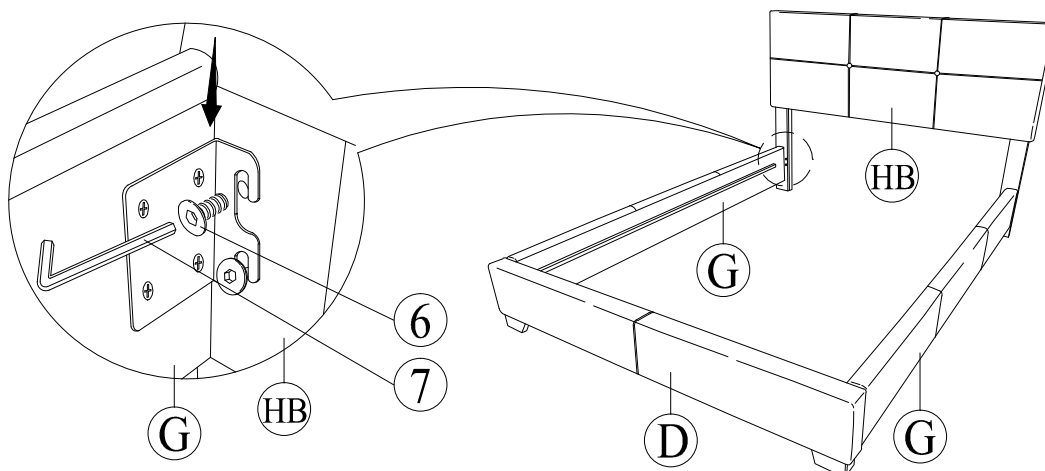
Align and fasten footboard leg to footboard panel using small bolt, lock washer, flat washer and tighten with small Allen wrench.



### 202470Q (B1&B2) - BOX 1 & BOX2

#### STEP 3

Align and fasten bed rail to headboard and footboard using big bolt and tighten with big Allen wrench.

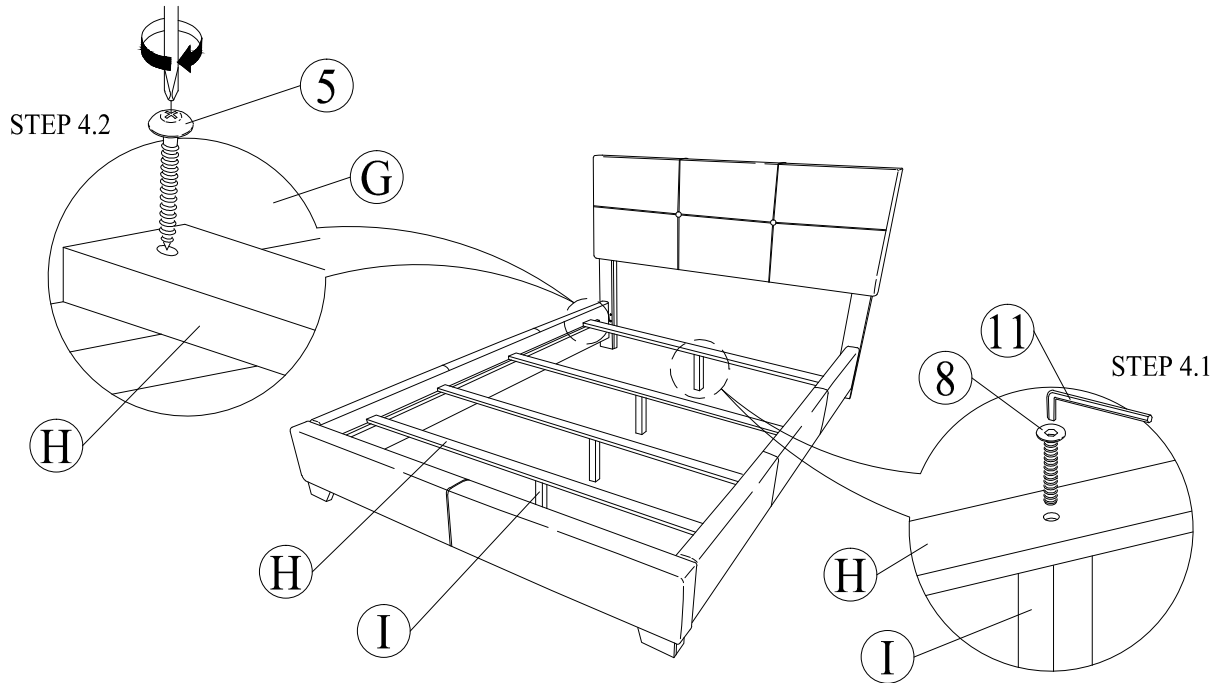


# ITEM : 202470Q (B1 & B2)

## ASSEMBLY INSTRUCTIONS

### STEP 4

Align and fasten bed slat support to bed slat using small bolt and tighten with small Allen wrench. Align and fasten bed slat to bed rail using pan head screw and tighten with screw driver (not included).



### STEP 5

Complete

