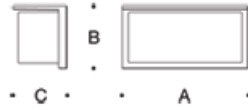


**Tools Required:**

- 3mm hex key
- Phillips medium screwdriver



**Dimensions**

- A: 8-5/8 "
- B: 4-3/8 "
- C: 3-1/2 "



CSA certified to U.S. and Canadian standards. Suitable for wet locations.

**Protected Class: IP65**

**Weight:** 3.6 lbs.

**Notice to Installer for 3482LED:**

1. This product must be installed in accordance with the applicable installation code by a person familiar with the construction and operation of the product and the hazards involved.
2. Mounts directly to standard recessed 4" octagonal wiring box (by others) using mounting strap provided.
3. A silicone based sealant must be used between luminaire and supporting wall.

**WARNING:** LEDs are high quality electrical components. Please avoid touching them directly during installation.

**3482LED - installation:**

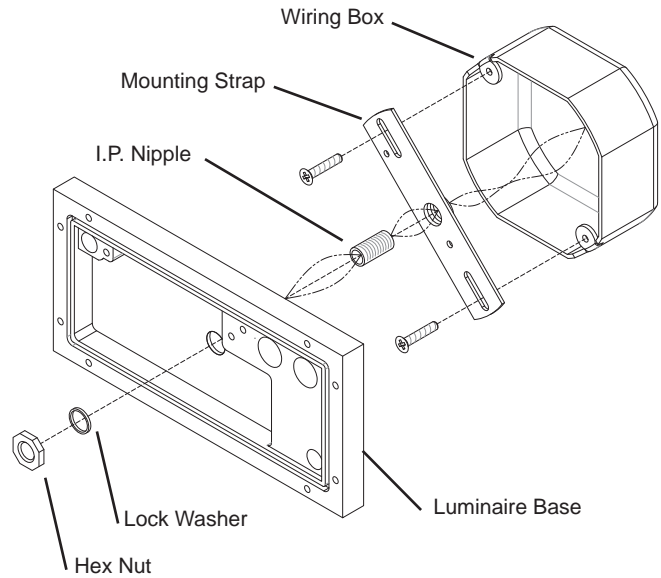
1. Loosen (4) screws on trim casting and remove lens from luminaire base, carefully.
2. Feed luminaire wires through hex nut, lock washer, luminaire base, I.P. nipple, and mounting strap provided.
3. Make supply wiring and luminaire wiring connections in the octagonal wiring box:  
 MAIN VOLTAGE SUPPLY WIRE TO BLACK LUMINAIRE WIRE  
 NEUTRAL (COMMON) SUPPLY WIRE TO WHITE LUMINAIRE WIRE  
 WIRE GREEN GROUND WIRE TO GREEN LUMINAIRE WIRE

**Dimming (if applicable):**

DIMMING CONTROL WIRE (+) TO POSITIVE DRIVER DIM CONTROL WIRE  
 DIMMING CONTROL WIRE (-) TO NEGATIVE DRIVER DIM CONTROL WIRE

4. Attach mounting strap to octagonal wiring box with hardware (by others).
5. Slip luminaire base over 1/4" I.P. nipple attached to mounting strap (see figure 1).  
 NOTE: Refer to orientation arrow on mounting base for proper orientation.
6. Place a small bead of silicone around the back side of the luminaire base that will come in contact with the finished wall (exterior applications only).
7. Secure luminaire base to mounting strap by using lock washer and hex nut provided.
8. Replace lens. Tighten (4) screws to secure.

**Figure 1**



**Relamping/Maintenance**

Loosen (4) screws on trim casting and remove lens. Clean luminaire and lens using only solvent-free cleansers. Replace lens and tighten (4) screws.

**Accessories**

Please refer to the appropriate accessory installation sheet for further instruction when applicable.

**Replacement Parts**

Description	Part No
Lens	11290611
Lens gasket	831114
LED driver	75929
LED module (3000K)	LED-259/830
LED module (4000K)	LED-259/840

**Lamp:** 4.3W LED Module

In the interest of product improvement, BEGA reserves the right to make technical changes without notice.