

Tools Required:

- 2.5mm hex key
- 3mm hex key
- Phillips head screwdriver medium
- Flat head screwdriver

CSA certified to U.S. and Canadian standards.
Suitable for wet locations.



Dimensions

- A: 6-1/4"
- B: 4"



Protection Class: IP65

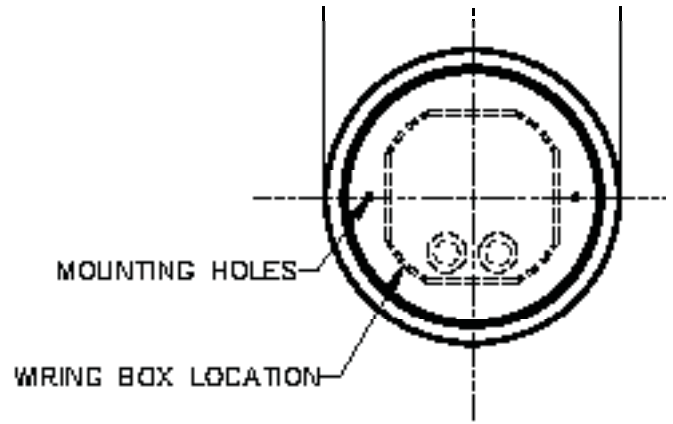
Weight: 2 lbs.

Notice to Installer for 3507LED:

1. **BEGA luminaires may be damaged if connected to conduit systems containing water- Article 300-5G of National Electric Code requires that "Conduits or raceways through which moisture may contact energized live parts shall be sealed or plugged at either or both ends".**
2. Mounts directly to a standard octagonal 4" wiring box (by others) using BEGA mounting kit (supplied).
3. In conformance with U.L. Standards 1598, a silicone-based sealant **MUST** be used between the mounting plate edge and supporting wall.
4. LEDs are high-quality electronic components! Please avoid touching the light output opening of the LED directly during installation.

3507LED - installation:

1. Loosen 3mm set screw on luminaire outer trim ring and turn ring to the stop (ccw). Remove trim ring with glass from luminaire base.
2. Loosen (2) hex screws on LED module plate and **CAREFULLY** remove LED module - trying not to come into direct contact with the LED chips.
3. Route LED wiring through luminaire base and into small opening wiring box for connections to be made.
4. Make supply wiring and luminaire wiring connections in the octagonal wiring box:
 MAIN VOLTAGE SUPPLY WIRE TO BLACK LUMINAIRE WIRE
 NEUTRAL (COMMON) SUPPLY WIRE TO WHITE LUMINAIRE WIRE
 WIRE GREEN GROUND WIRE TO GREEN LUMINAIRE WIRE
 Dimming (if applicable):
 DIMMING CONTROL WIRE (+) TO POSITIVE DRIVER DIM CONTROL WIRE
 DIMMING CONTROL WIRE (-) TO NEGATIVE DRIVER DIM CONTROL WIRE
5. Place a small bead of silicone around the back side of the luminaire base that will come in contact with the finished wall (exterior applications only).
6. Mount luminaire base to surface using hardware by others (minimum 6-32 screw size).
7. Replace the LED module carefully along with luminaire lens and trim ring. Turn trim ring to the stop (cw) and tighten outer set screw to secure.



Relamping/Maintenance

No relamping required.

Accessories

Please refer to the appropriate accessory installation sheet for further instruction when applicable.

Replacement Parts

Description	Part No
Lens	11297411
Lens Gasket	831312
LED driver (0-10V)	75929
LED replacement (3000K)	LED-0229/830
LED replacement (4000K)	LED-0229/840

Lamp: 5.3W LED