

**Track Assembly**

- Attach track A1 to T Connector on one end and 90° Connector on the other end.

- Take two D track pieces and attach to both connectors. Refer to Diagram 2

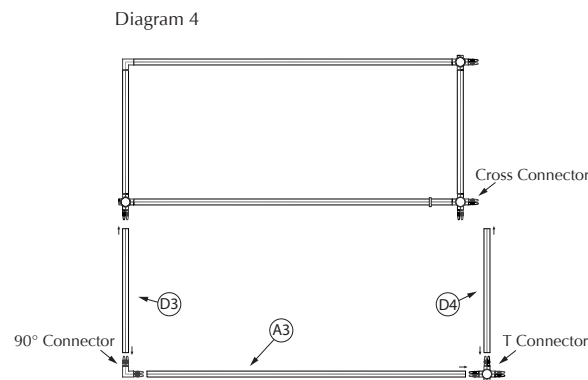
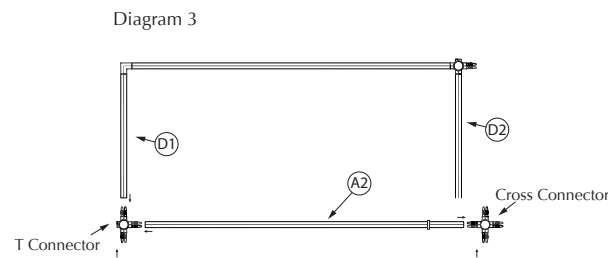
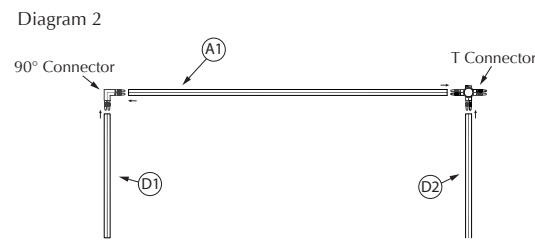
- Slide a T Connector into track D1, attach Cross Connector to track D2. Attach track A2 between both connectors. Refer to Diagram 3

- Attach straight track D3 to T Connector, attaching a 90° Connector to the other end. Track D4 needs to be attached to Cross Connector and a T Connector attached to the other side. Refer to Diagram 4

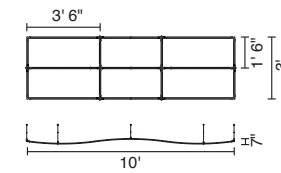
- Track A3 needs to be attached between the T Connector and 90° Connector.

- Repeat steps for section B and C to complete track assembly.

- For Cord Suspension and Canopy Power Feed placement refer to Diagram 1.



**V/A WAVE**



**IMPORTANT SAFETY INSTRUCTIONS**

1. Read all of these installation Instructions before installing the track system.
2. Save these instructions and refer to them when additions to or changes in the track configuration are made.
3. THIS PRODUCT MUST BE INSTALLED BY A PERSON FAMILIAR WITH THE CONSTRUCTION AND OPERATION OF THE PRODUCT AND THE HAZARDS INVOLVED, IN ACCORDANCE WITH LOCAL NEC CODE.
4. FOR USE WITH V/A NETWORK ONLY.
5. Do not install the track or any part which contains exposed wires less than 7 feet from the floor.
6. Do not install this rail in damp or wet locations.
7. Do not install fixture assembly closer than 6 inches from any curtain, or similar combustible material.
8. Disconnect electrical power before adding to or changing the configuration of the track.
9. Do not attempt to energize anything other than lighting rail fixtures on the rail. To reduce the risk of fire and electrical shock, do not attempt to connect power tools, extension cords, appliances, and the like to the rail.
10. This track system MUST BE HARD WIRED. For all the wire connections, use Listed Wire Nuts.
11. Secondary connections must be clean and tight to avoid arcing and overheating!
12. Warranty is void in case of unauthorized modifications and/ or improper use.

**READ ALL OF THESE INSTRUCTIONS BEFORE INSTALLATION**

**V/A WAVE PART NUMBERS**

160 153bz	bronze
160 153ch	chrome
160 153mc	matte chrome

**CONTENTS OF DELIVERY**

Num. of Pieces	Piece Description
4	3' 6" Factory Curved V/A Track Sections (A & C)
2	3' 6" Factory Curved V/A Track ISO Sections (A & C)
3	2' 11" Factory Curved V/A Track ISO Sections (B)
8	1' 3 1/2" Straight V/A Track Sections (D)

**CONTENTS OF DELIVERY**

Num. of Pieces	Piece Description
4	Horizontal Angel Connector 90° 160 406
2	Horizontal Cross Connector 160 404
6	Horizontal T-Connector 160 414
5	Isolation Connectors 160 409
8	Cord Suspension Clips 160 600
2	Canopy Power Feeds 160 306
30'	Power Supply Cable
1	T-600/120V Transformer