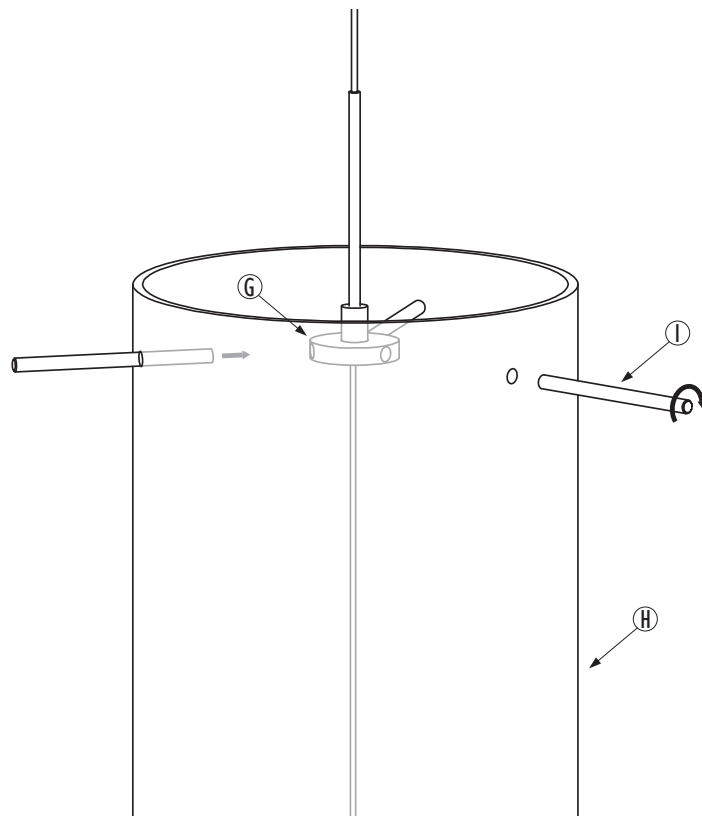


INSTALL GLASS

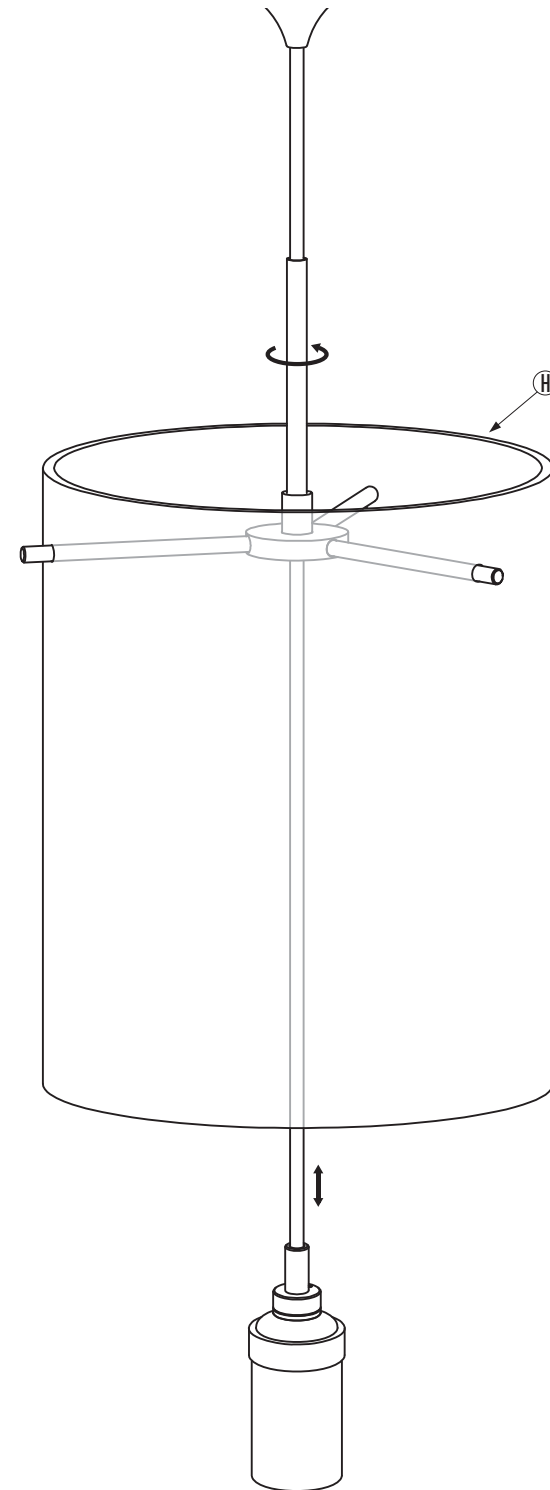
- To install glass, position round part (G) in center of glass (H) and align holes in glass (H) with holes on round part (G).
- Slide stems (I) through the glass and screw them into round part (G).



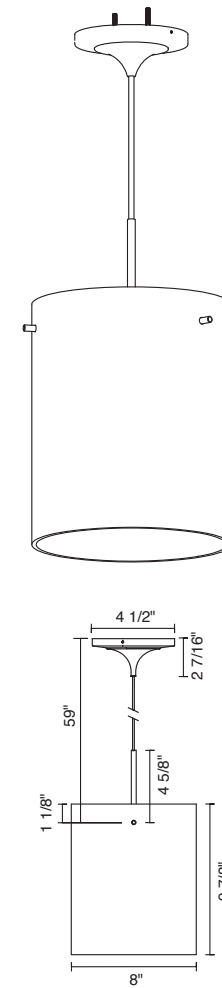
REPLACE LAMP

- To replace lamp turn off power.
- Unscrew top conical and lift the glass (H) after replacing lamp, carefully slide glass back onto conical.

NOTE: Glass does not hold in upper position and will slide back.



REGAL



IMPORTANT SAFETY INSTRUCTIONS



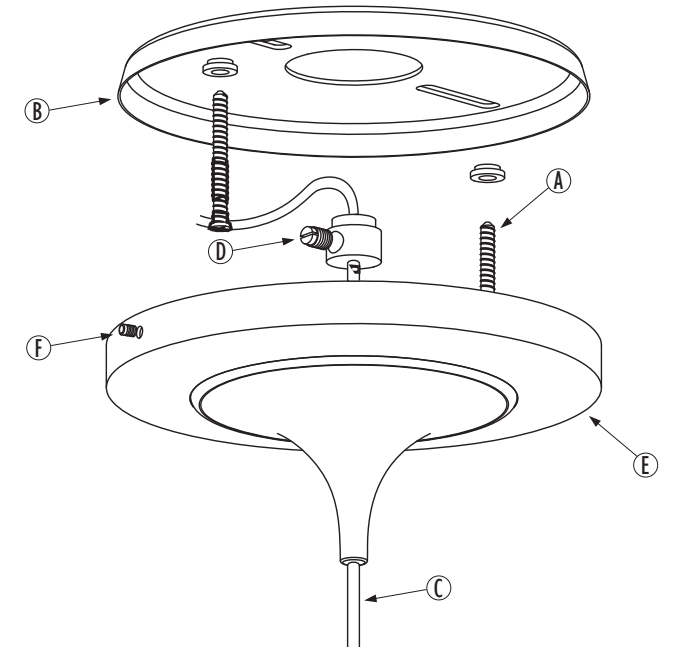
1. Read all instructions!
2. Turn off power prior to any work on the canopy.
3. THIS PRODUCT MUST BE INSTALLED BY A PERSON FAMILIAR WITH THE CONSTRUCTION AND OPERATION OF THE PRODUCT AND THE HAZARDS INVOLVED, IN ACCORDANCE WITH THE APPLICABLE INSTALLATION CODE.
4. This LINE VOLTAGE PENDANT MUST BE HARD WIRED, 120v. For all the wire connections, use Listed Wire Nuts.
5. Warranty is void in case of unauthorized modifications and/ or improper use.

READ ALL OF THESE INSTRUCTIONS BEFORE INSTALLATION

PART NUMBERS

110 871bz/MP	bronze, apricot glass	110 873bz/MP	bronze, merlot glass
110 871bz/IN/MP	bronze, apricot glass	110 873bz/IN/MP	bronze, merlot glass
110 871mc/MP	matte chrome, apricot glass	110 873mc/MP	matte chrome, merlot glass
110 871mc/IN/MP	matte chrome, apricot glass	110 873mc/IN/MP	matte chrome, merlot glass
110 872bz/MP	bronze, white glass	110 874bz/MP	bronze, brown glass
110 872bz/IN/MP	bronze, white glass	110 874bz/IN/MP	bronze, brown glass
110 872mc/MP	matte chrome, white glass	110 874mc/MP	matte chrome, brown glass
110 872mc/IN/MP	matte chrome, white glass	110 874mc/IN/MP	matte chrome, brown glass

INSTALLATION INSTRUCTIONS



INSTRUCTIONS FOR USE

- Insert screw (A) into the mounting plate (B). Align screws (A) with the J-box and tighten until firmly connected.

- There are markings on the cable wire (C) showing; L is for Line Voltage, N is for the Neutral Connection, and G is for the Ground Connection.

Warning! If cutting cable wire make note which side is L, N, and G.

- Adjust the cable length (C) by loosening center cable lock (D).

- Place the canopy cover (E) over the mounting plate (B) and secure it with the allen screw (F) located on the side of the base.