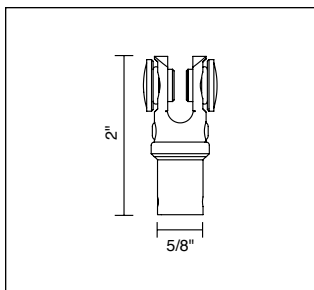


ENZIS INSTALLATION INSTRUCTIONS



ADAPTOR

ART. NO.	
140 360bz	bronze
140 360mc	matte chrome

TECHNICAL DATA

Description:	Adaptor for Uni-Light fixtures.
Design:	Jorg Westerheide
Dimensions:	length 2"
Material:	brass, matte chrome plated
Supply Voltage:	12V
Current:	max. 25A/ circuit
Load:	max. 75W

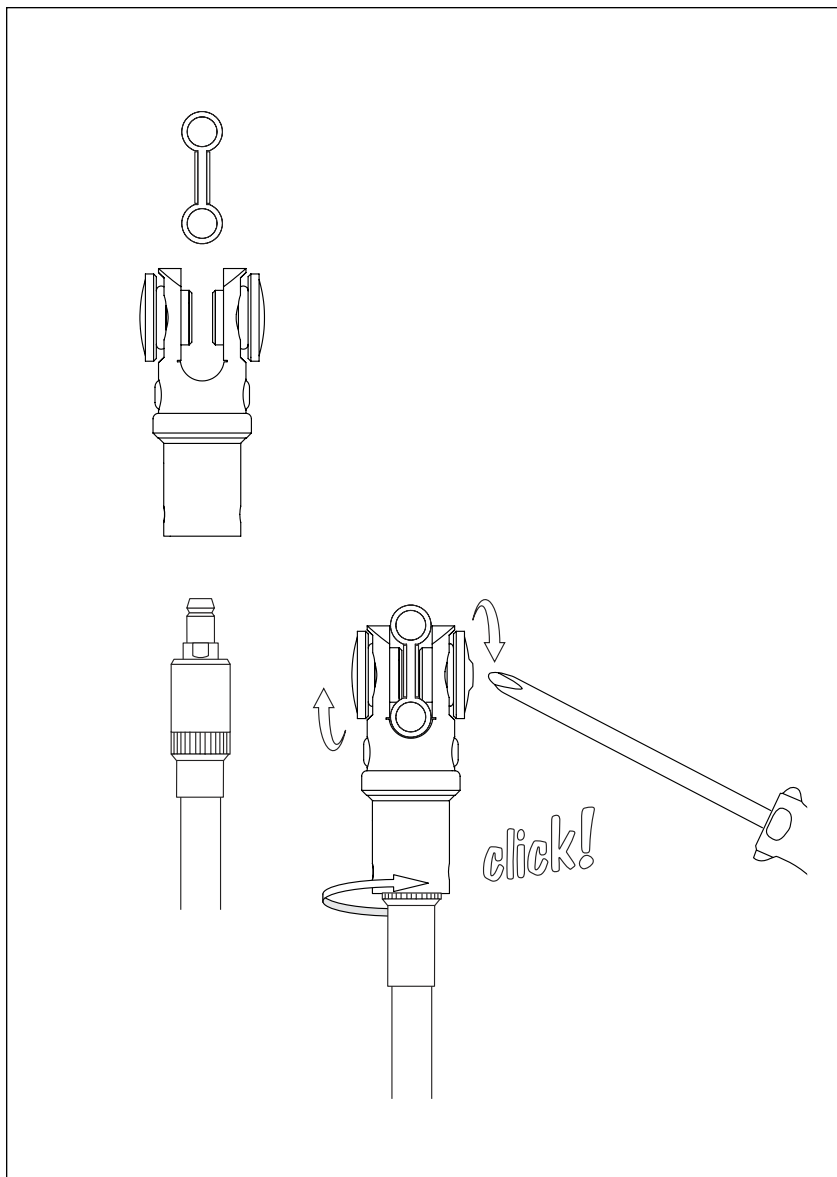
⚠ IMPORTANT SAFETY INSTRUCTIONS ⚠

1. THIS PRODUCT MUST BE INSTALLED BY A PERSON FAMILIAR WITH THE CONSTRUCTION AND OPERATION OF THE PRODUCT AND THE HAZARDS INVOLVED, IN ACCORDANCE WITH LOCAL NEC CODE.
2. FOR USE WITH ENZIS RAIL NETWORK ONLY.
3. The Enzis rail system is not intended for use with a power supply cord or convenience receptacle adaptor. This rail system is to be supplied by Bruck Lighting.
4. Do not install the Enzis rail system in damp or wet locations.
5. Do not install any part of a rail system less than 5 feet above the floor.
6. Do not install any fixture assembly closer than 6 inches from any curtain, or similar combustible material.
7. Disconnect electrical power before adding to or changing the configuration of the rail.
8. Do not attempt to energize anything other than lighting rail fixtures on the rail. To reduce the risk of fire and electric shock, do not attempt to connect power tools, extension cords, appliances, and the like to the rail.
9. This track system **MUST BE HARD WIRED**. For all the wire connections, use Listed Wire Nuts.
10. Do not connect a rail to more than one circuit unless the rail is constructed so that it can be used with more than on circuit. Check with a qualified electrician. Although the rail lighting system may seem to operate acceptably, a dangerous overload of the neutral may occur and result in a risk of fire.
11. Secondary connections must be clean and tight to avoid arcing and overheating!
12. Power Feed must be 3 inches away from any support and 6 inches away from fixture.
13. Warranty is void in case of unauthorized modifications and/ or improper use.

SAVE THESE INSTRUCTIONS AND REFER TO THEM WHEN ADDITIONS TO OR CHANGES IN THE TRACK CONFIGURATION ARE MADE

CONTENTS OF DELIVERY

1 Adaptor



USER MANUAL

INSTALLING ADAPTOR

- Loosen the metal thumb screws so that the Enzis track can be inserted.
- Tighten the thumb screws with phillips head screwdriver, #3 is the recommended size to use, to complete the installation.
- Attach a Uni-Light fixture with the uni-plug socket; a click will be heard. Turn the locking collar until the fixture rests securely in place.