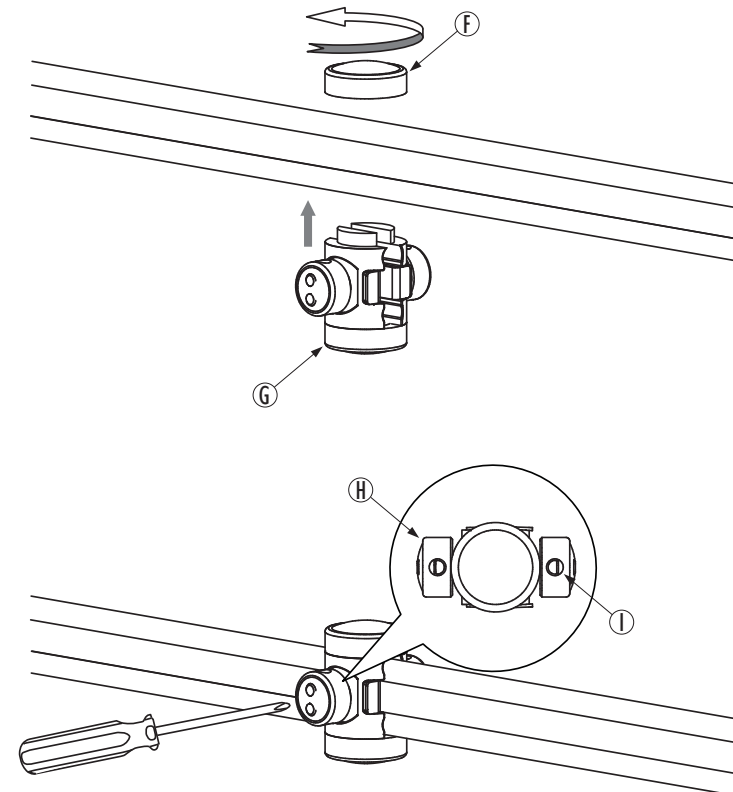
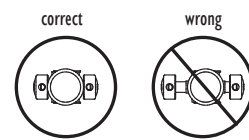


## Step 2 Installing Power Feed

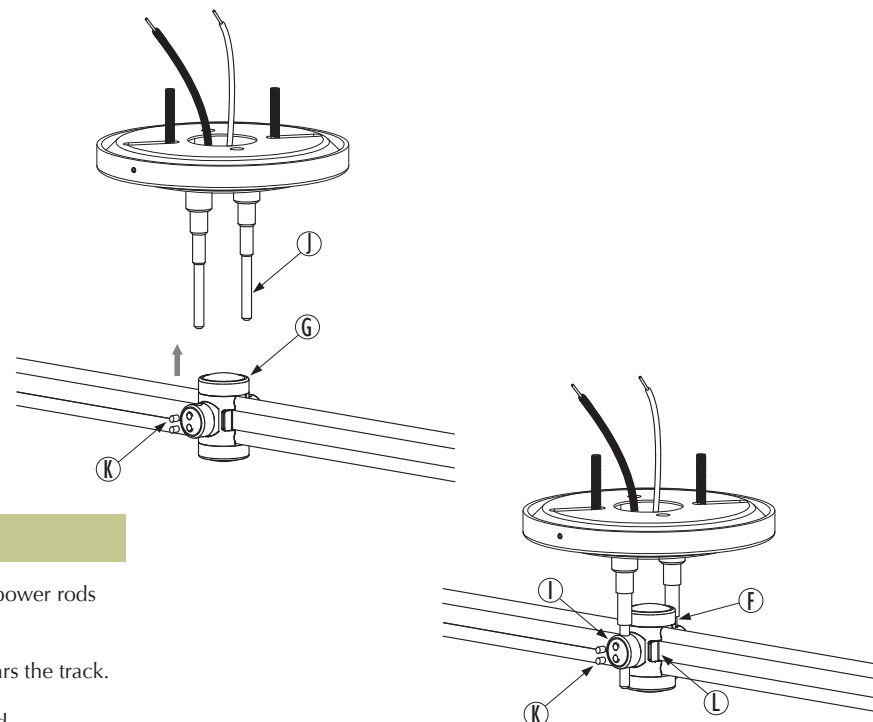
- Remove power feed cap (F) push power feed body (G) onto track.
- In location of transformer, screw power feed cap (F) onto the power feed body (G).
- Insert screw driver into power feed through hole (H) on the contact screws (I) and tighten only until they make full contact with flat wire. Each contact screw (I) must be equally offset on both sides of the track.
- Make a final turn on each contact screw (I) until the through holes (H) are in a vertical position.

**CAUTION: OVERTIGHTENING WILL STRIP THE THREADS ON THE POWER FEED AND CAUSE POOR CONTACT RESULTING IN OVERHEATING AND FAILURE OF SYSTEM.**



**When turning on the system for the first time, turn off the system after 15 minutes and check ALL track and power connections for any heat.**

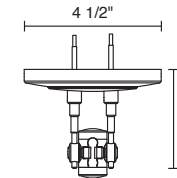
- Slide holes (H) onto rod (J). Tighten set screws (K) to finish power feed installation to Enzis track.



## To Remove The Power Supply

- Loosen the set screws (K) slide power feed and track off of power rods (J) and loosen the contact screws (I).
- With a flat tool, push back the contact plates (L) until it clears the track.
- Unscrew the power feed cap (v) and remove the power feed.

## ENZIS CANOPY FEED



### IMPORTANT SAFETY INSTRUCTIONS

1. THIS PRODUCT MUST BE INSTALLED BY A PERSON FAMILIAR WITH THE CONSTRUCTION AND OPERATION OF THE PRODUCT AND THE HAZARDS INVOLVED, IN ACCORDANCE WITH LOCAL NEC CODE.
2. FOR USE WITH ENZIS RAIL NETWORK ONLY.
3. The Enzis rail system is not intended for use with a power supply cord or convenience receptacle adaptor. This rail system is to be supplied by Bruck Lighting.
4. Do not install this rail in damp or wet locations.
5. Do not install any part of a rail system less than 5 feet above the floor.
6. Do not install any fixture assembly closer than 6 inches from any curtain, or similar combustible material.
7. Disconnect electrical power before adding to or changing the configuration of the rail.
8. Do not attempt to energize anything other than lighting fixtures on the rail. To reduce the risk of fire and electric shock, do not attempt to connect power tools, extension cords, appliances, and the like to the rail.
9. This track system MUST BE HARD WIRED. For all the wire connections, use Listed Wire Nuts.
10. Do not connect a rail to more than one circuit unless the rail is constructed so that it can be used with more than one circuit. Check with a qualified electrician. Although the rail lighting system may seem to operate acceptably, a dangerous overload of the neutral may occur and result in a risk of fire.
11. Secondary connections must be clean and tight to avoid arcing and overheating!
12. Power Feed must be 3 inches away from any support
13. Warranty is void in case of unauthorized modifications and/ or improper use.

**READ ALL OF THESE INSTALLATION INSTRUCTIONS BEFORE INSTALLING**

### ENZIS PART NUMBER

140 309bz bronze  
140 309mc matte chrome

## INSTRUCTIONS

### Step 1 Mounting The Transformer And Canopy

- Insert the screws (C) through the mounting plate (B) and secure to ceiling J-box.
- Connect the wires (A) from the canopy to the power supply cables from the transformer.
- Ground wire should be grounded in accordance with local electrical codes.
- Place the cover (D) over the mounting plate (B) and secure it with two allen screws (E) located on the side of the base.

