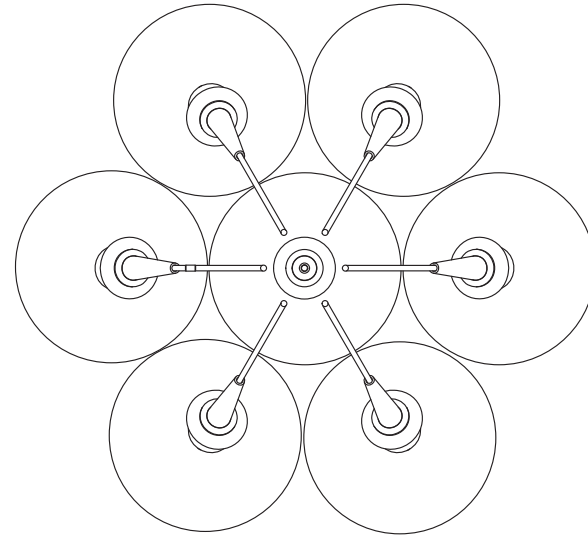


Step 3

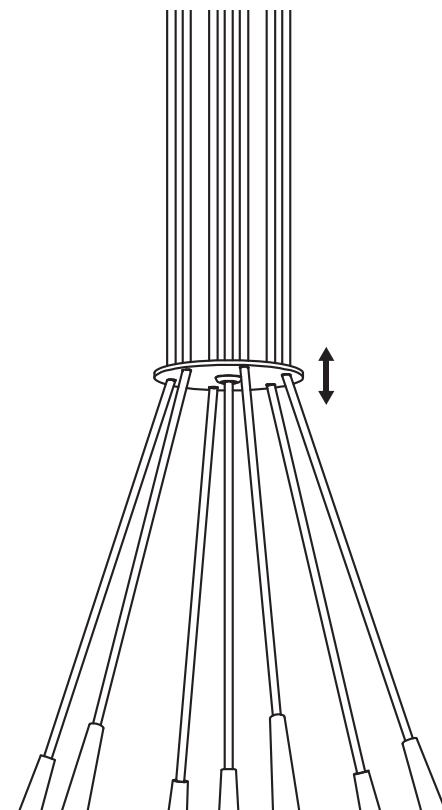
- When all seven pieces of glass are installed arrange the glass as shown in illustration.



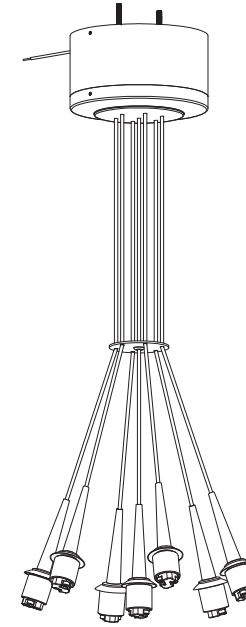
NOTE: For Rainbow version use pairs of glass packed together. Do not mix with other pairs. Slide the outer glass onto conical first and then carefully screw on small white inner glass.

When screwing glass on, twist glass and hold conical steady. If individual cables are twisted it may twist all seven cables together.

Step 4



BOUQUET

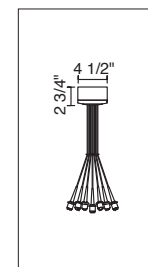


IMPORTANT SAFETY INSTRUCTIONS

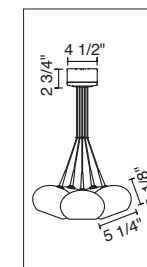


1. Save these instructions and refer to them when additions to or changes to the fixture are made.
2. THIS PRODUCT MUST BE INSTALLED BY A PERSON FAMILIAR WITH THE CONSTRUCTION AND OPERATION OF THE PRODUCT AND THE HAZARDS INVOLVED, IN ACCORDANCE WITH THE APPLICABLE NEC CODE.
3. Do not install this fixture in damp or wet locations.
4. CAUTION - Do not install any fixture assembly closer than 6 inches from any curtain, or similar combustible material.
5. Turn off power prior to any work on the systems.
6. Warranty is void in case of unauthorized modifications and/ or improper use.

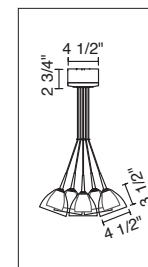
READ ALL OF THESE INSTRUCTIONS BEFORE INSTALLATION



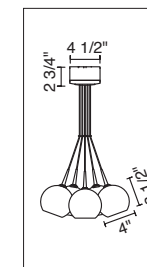
BOUQUET NO GLASS
300 500bz
300 500ch
300 500mc



LAGUNA BOUQUET
300 502(bz,ch,mc)/bc
300 502(bz,ch,mc)/nw
300 502(bz,ch,mc)/sm
300 502(bz,ch,mc)/vn
300 502(bz,ch,mc)/wh
300 502(bz,ch,mc)/yw



RAINBOW II BOUQUET
300 503(bz,ch,mc)/or
300 503(bz,ch,mc)/rd
300 503(bz,ch,mc)/rmb
300 503(bz,ch,mc)/rb
300 503(bz,ch,mc)/rw
300 503(bz,ch,mc)/sm
300 503(bz,ch,mc)/sun
300 503(bz,ch,mc)/tq



BOBO BOUQUET
300 501(bz,ch,mc)/bl
300 501(bz,ch,mc)/rd

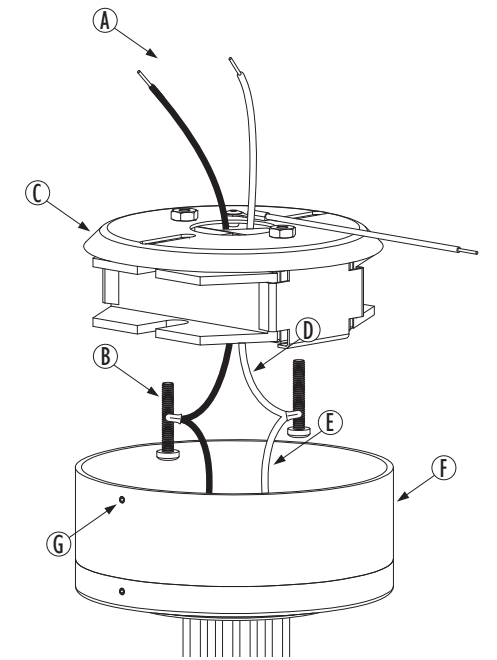
INSTALLATION INSTRUCTIONS

Step 1

- Turn off power before installation.

- Connect the two wires from the transformer (A) to the power cables in the wall. Insert the screw (B) into the mounting plate (C). Align the screws (B) with the J-box and tighten until firmly connected.

- Connect the wires (D) from transformer on mounting plate to terminal block (E) in canopy of the fixture, slide the canopy cover (F) over the mounting plate (C) and tighten the sect screws (G) on both sides of the canopy cover.



NOTE: Do not energize before fixture is completely installed including glass.

Step 2

- Carefully screw glass on to conical (H) starting in the middle. Hold the glass you are putting on away from the glass already on the fixture to avoid scratches or brakes.

