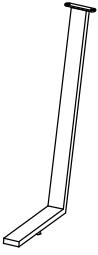
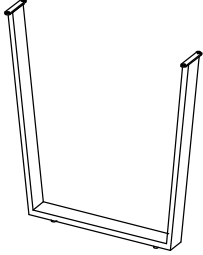
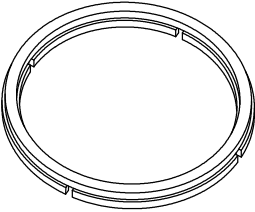
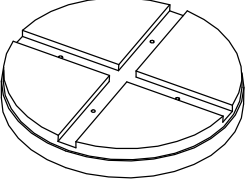

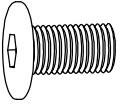
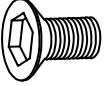

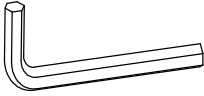
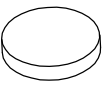


ASSEMBLY INSTRUCTIONS

ITEM NO. 3304-04 END TABLE

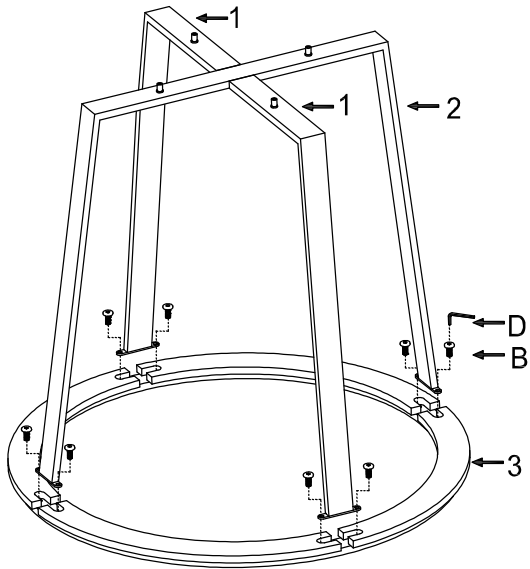
1	2	3	4	5
				
LEG 2PCS	LEG 1PC	TOP RING 1PC	SHELF 1PC	GLASS TOP 1PC

HARDWAR LIST

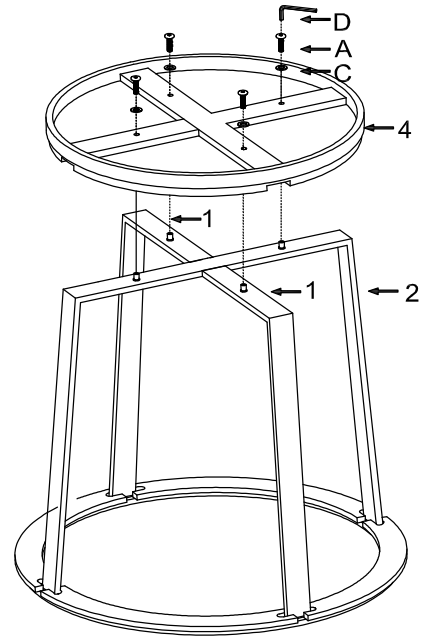
A	B	C	D	E
				
1/4 " x 5/8 " 4 PCS	1/4 " x 3/8 " 8 PCS	METAL WASHERS 4PCS	1 PC	GLASS TIP 4 PCS

***** Do not tighten screws & bolts until the entire unit is completely assembled.**

Step 1 :



Step 2 :



Step 3 :

