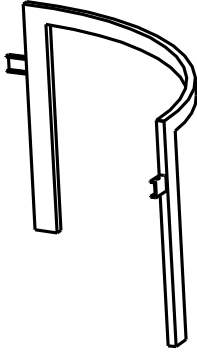
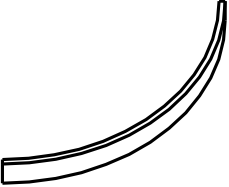
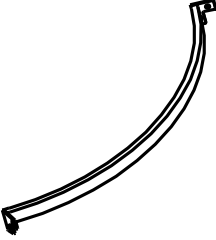
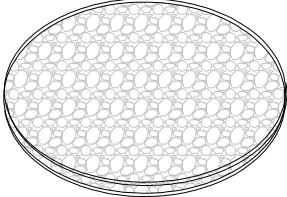


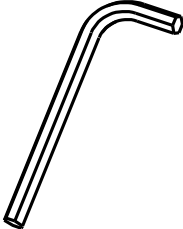
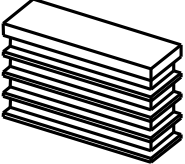
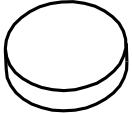


ASSEMBLY INSTRUCTIONS

ITEM NO. 3301-04 END TABLE

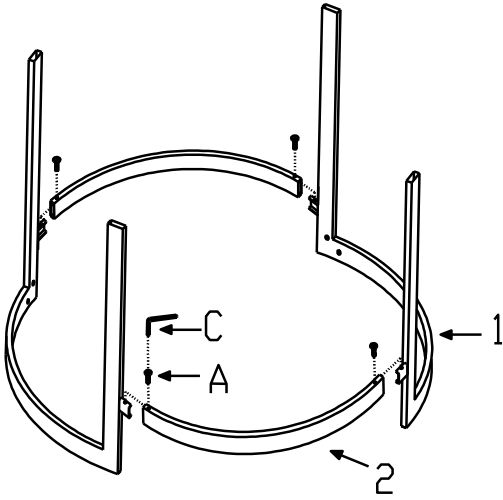
1	2	3	4
 <p data-bbox="217 863 370 930">SIDE PANEL 2PCS</p>	 <p data-bbox="483 863 755 930">BOTTOM STRETCHER 2PCS</p>	 <p data-bbox="850 863 1062 930">TOP STRETCHER 2PCS</p>	 <p data-bbox="1263 863 1409 930">GLASS TOP 1PC</p>

HARDWARE LIST

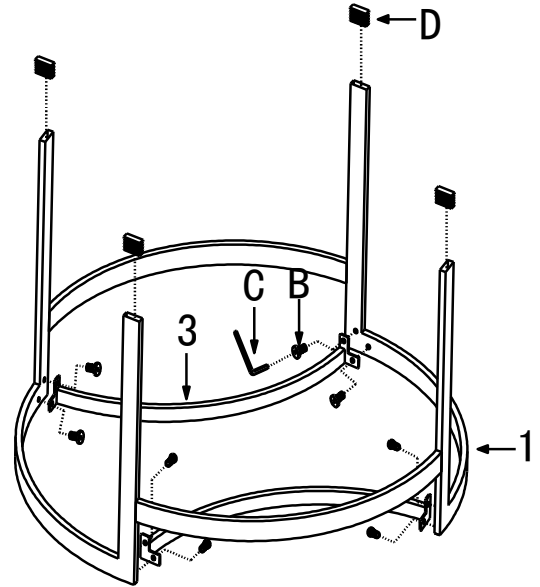
A	B	C	D	E
 <p data-bbox="204 1465 354 1533">3/16 " x 5/8 " 4 PCS</p>	 <p data-bbox="483 1465 618 1533">1/4 " x 5/8 " 8 PCS</p>	 <p data-bbox="834 1507 886 1533">1PC</p>	 <p data-bbox="1068 1465 1182 1533">END CAP 4 PCS</p>	 <p data-bbox="1328 1465 1463 1533">GLASS TIP 4 PCS</p>

***** Do not tighten screws & bolts until the entire unit is completely assembled.**

Step 1 :



Step 2:



Step 3 :

