




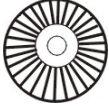
Assembly Instructions

CHAIR

ITEM NO.:9727-1

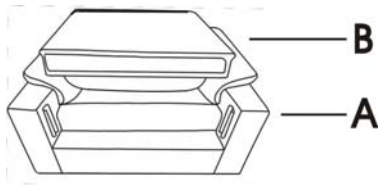
NOTE: Do not use power tools for assembly. Power tools increases the risk of over tightening which leads to splitting or cracking the wood.

COMPONENT LIST (CHAIR)

NO.	DRAWING	QTY	DESCRIPTION
A		1	SEAT FRAME
B		1	BACK REST
C		4	LEG
D		4	GASKET

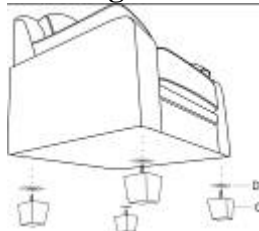
Step # 1

Upfront the back rest from the seat frame.



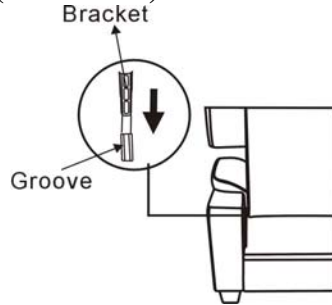
Step # 2

Insert the legs to the pre-drilled holes and tighten it.



Step # 3

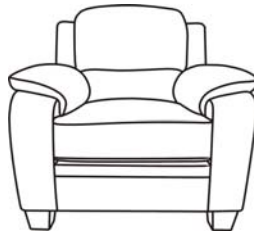
Insert two female metal grooves (chair back) onto the male brackets (chair seat) as shown.



Note: Press down seat back gently until it sounds “click”, make sure it is locked in place.

Step # 4

Chair assembly is completed.



Standard Care Procedures for Fabric Furniture.

In order to preserve the original appearance of your fabric furniture, please follow below simple care procedures:

- Avoid exposing furniture directly to sunlight or heating and air conditioning outlets. Sunlight and/or exposure to heating and air conditioning outlets will fade/damage fabrics. Do not place your upholstered furniture too close to windows, radiators, or vents, and be sure to use window treatments to block the sun's rays.
- Vacuum or wipe with a soft brush to remove dust.
- Clean fabric with professional cleanser.