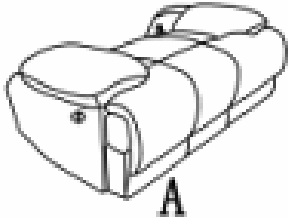
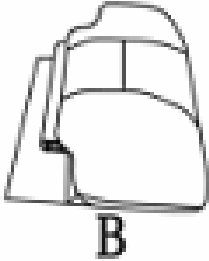


Assembly Instructions
CHAIR, POWER RECLINER
ITEM NO.:9723-1PW

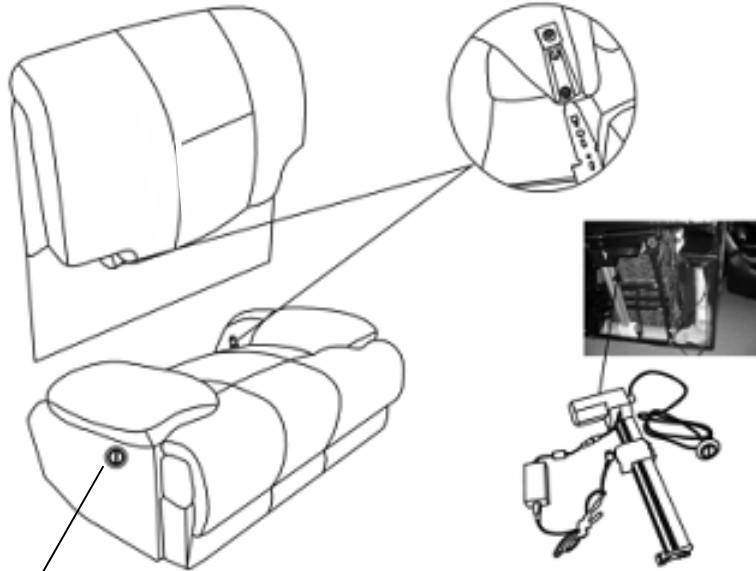
NOTE: Do not use power tools for assembly. Power tools increase the risk of over tightening which leads to splitting or cracking the wood.

COMPONENT LIST (CHAIR)

NO.	DRAWING	QTY	DESCRIPTION
A		1	SEAT FRAME
B		1	BACK REST

Please follow the drawings below to assemble the item.

STE1 MATCH BOTH SIDE HOOK-LOOP BRACKET PUSH
DOWN BACKREST TO ASSEMBLY



Press the button to control the power mechanism.

Standard Care Procedures for Fabric Furniture

In order to preserve the original appearance of your fabric furniture, please follow below simple care procedures:

- Avoid exposing furniture directly to sunlight or heating and air conditioning outlets. Sunlight and/or exposure to heating and air conditioning outlets will fade/damage fabrics. Do not place your upholstered furniture too close to windows, radiators, or vents, and be sure to use window treatments to block the sun's rays.
- Vacuum or wipe with a soft brush to remove dust.
- Clean fabric with professional cleanser.